

## Technical change to fuse terminal block ZSI 2.5 ...

Dear Madam or Sir,

the below listed articles will be supplied in a modified revision. Please pass this product information on to your employees and, if needed, to your customers. All modifications are performed for reasons of product improvements.

### 1. Initial situation

The previous terminal block met the basic requirements and was successfully used in the market. In some areas, there was potential for further improvement in handling and performance.

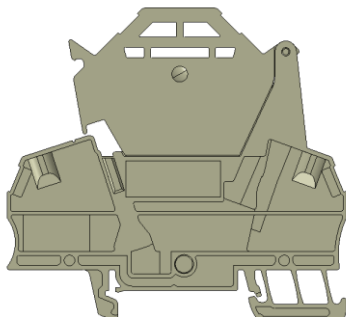
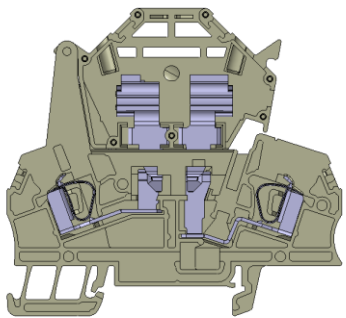
### 2. Technical change

The terminal block can still be used as usual without any changes; there are no changes to its application or installation, only improvements in handling and performance.

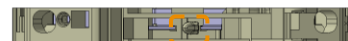
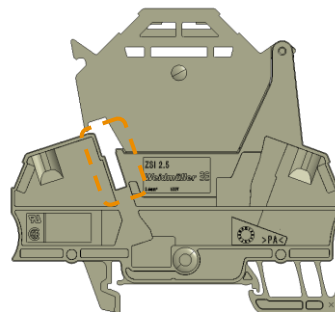
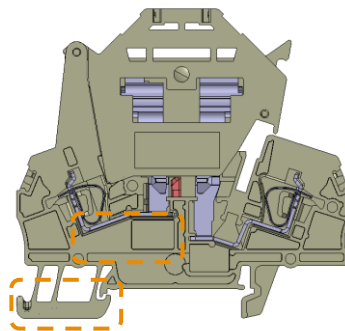
The following changes were made to optimize the article:

- Improved foot geometry for easier and more secure snapping on the DIN-Rail
- Standardization of the ZSI design for 500 V
- Optimized lever closure for safe operation
- Improved secure fit of the busbars

Old:



New:



### 3. Reason for change

These adjustments are part of the product's ongoing development, and they're all about making it even better and more reliable. At the same time, they help make the process safer, both in our own production and when customers use the product and ensure that it's always reliable and easy to use.

### 4. Availability

The changeover will take effect immediately.

### 5. Affected parts

1082370000	ZSI 2.5/LD 60AC OR
1616400000	ZSI 2.5
1616410000	ZSI 2.5/LD 250AC
1616420000	ZSI 2.5/LD 120AC
1616430000	ZSI 2.5/LD 60AC
1616440000	ZSI 2.5/LD 28AC
1686470000	ZSI 2.5 OR
1334480000	ZSI 2.5/LD 28AC BL
1315800000	ZSI 2.5 BL
1315920000	ZSI 2.5/LD 120AC GR
1315820000	ZSI 2.5 SW
1315840000	ZSI 2.5 GR
1315780000	ZSI 2.5 RT
1315900000	ZSI 2.5/LD 120AC SW

We follow the advice of our customers and are constantly working on our products in order to improve them sustainably. We will implement these changes as smoothly as possible and without affecting delivery times and the functionality of the products.

For further questions please contact your sales office directly. All contacts for sales representatives are available here:

[www.weidmueller.com/contact](http://www.weidmueller.com/contact)

Best regards

Product Management Modular Terminal Blocks  
Business Unit Rail Mounted Components

Weidmüller Interface GmbH & Co. KG  
Klingenbergstraße 26, 32758 Detmold, Germany

**Weidmüller** – Your partner in Industrial Connectivity  
We look forward to sharing ideas with you – **Let's connect.**