

Technical change to 7/8" T-distributor

Dear Madam or Sir,

The 7/8" T-distributors will be changed after a transitional period.

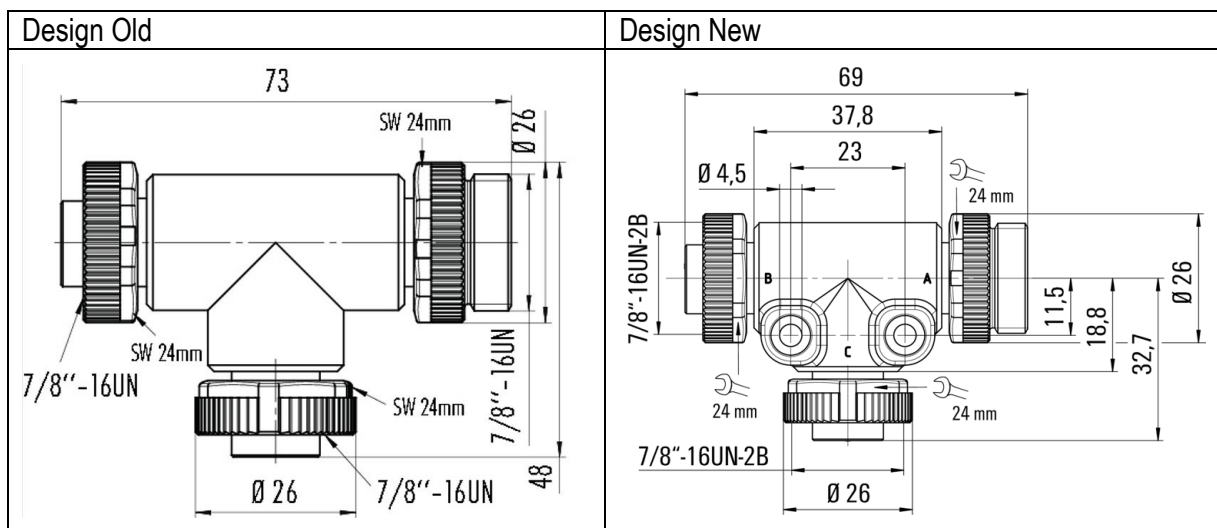
Please pass on this Product Change Notification (PCN) to your employees and, if applicable, to your customers.

1. General overview

Type of change: **short-term** (executed within the next 6 months)
 normal (executed after 6 months)

2. Change details

Previously, the 7/8" T-distributors were designed without mounting holes, which made them difficult to attach. In the new design, in addition to the integration of mounting holes, the design has also been minimized, making the design even more compact. This optimizes and simplifies the installation of the products. All other technical specifications remain identical.



3. Affected parts

1413920000 - SAI-Y-7/8 3P
 1413930000 - SAI-Y-7/8 4P
 1413940000 - SAI-Y-7/8 5P

4. Timeline

The changeover will take place within the next few months. Mixed deliveries may occur due to stock levels.

We hope that the changes will benefit your business and will not affect you in any significant way. We apologise in case of any inconvenience caused. Please rest assured that we will do everything possible to achieve this product change as smoothly as possible with minimum or no business disruption.

For further questions please contact your sales office directly. All contacts for sales representatives are available here: <https://www.weidmueller.com/contact>

Details of this and any other product changes can also be found in our Support Center by following the link: <https://support.weidmueller.com/support-center/popular-resources/product-change-notifications>

Best regards

Weidmüller Interface GmbH & Co. KG
Klingenbergstraße 26 | 32758 Detmold | Germany
www.weidmueller.com

in    