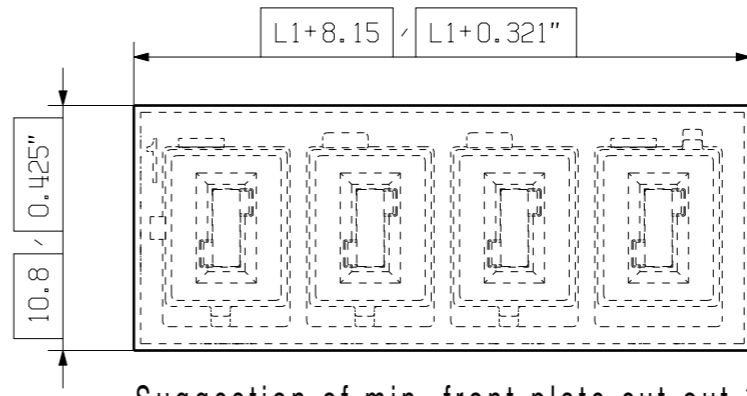
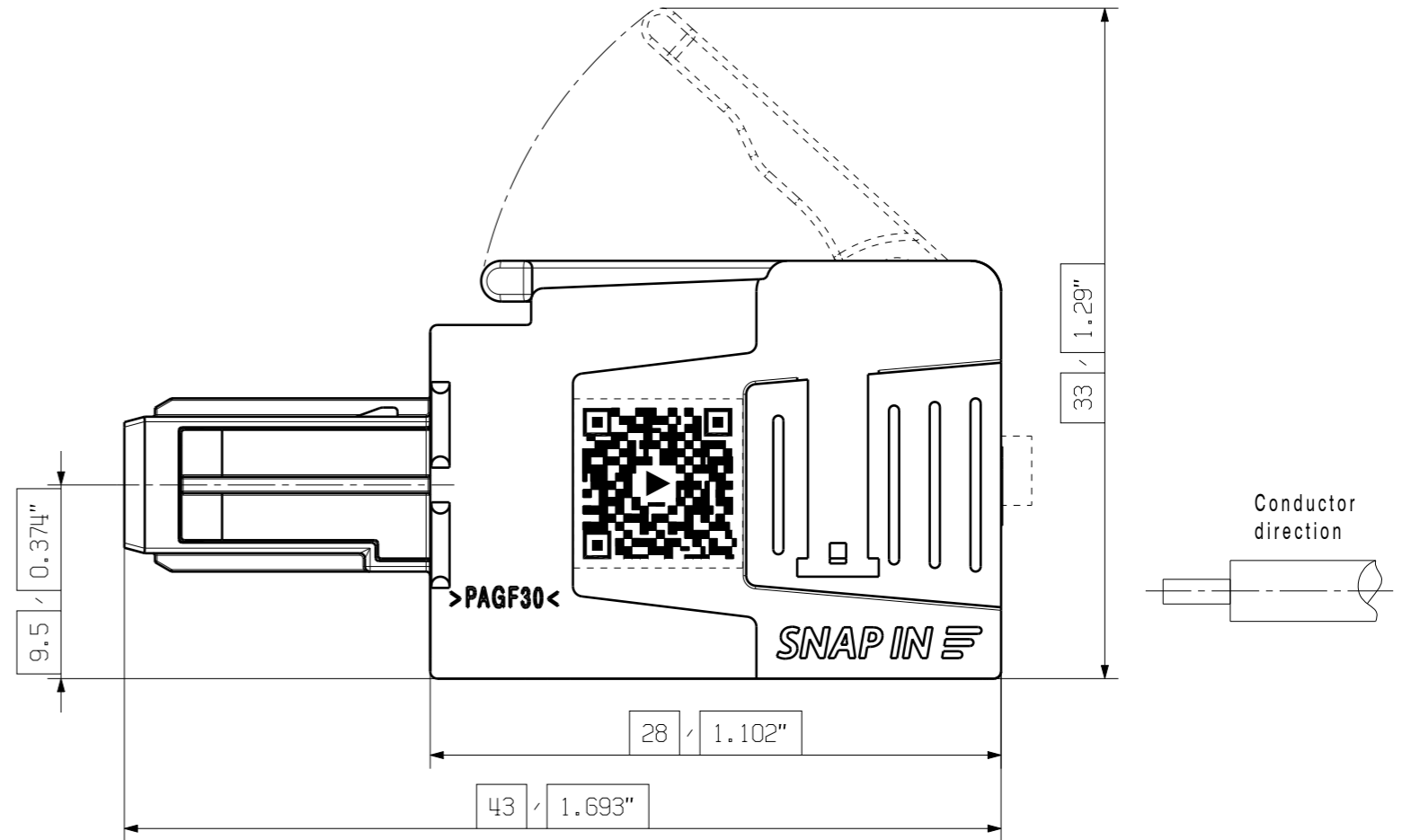
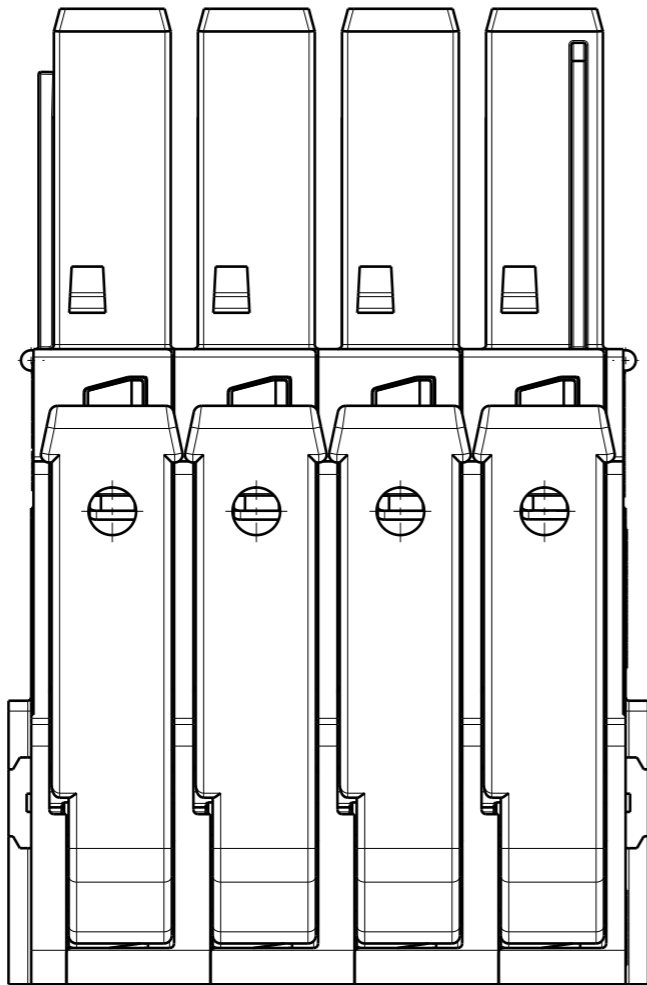
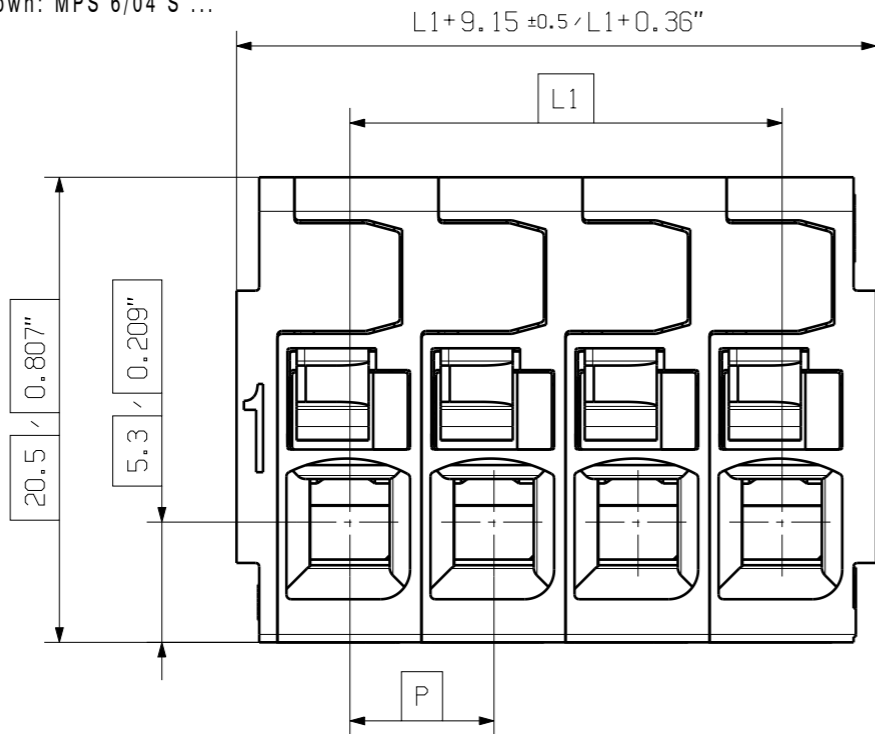


General customer drawing, topical version only if required

Shown: MPS 6/04 S ...



Suggestion of min. front plate cut-out.¹

¹Depending on the housing material, the cut-out must be designed according to the application and comply with the relevant standards.

For the mounting of PCBs, it should be noted that the rated data relates only to the PCB components alone. The necessary creepage and clearance paths must be observed in connection with the respective applicant in accordance to IEC 60664 / VDE 0110. The current-carrying capacity and pitch tolerance is to be determined according to DIN IEC 326 part 3 very fine.

Weidmüller PCB components are tested according to the DIN EN 61984 or to the DIN EN 60947-7-4 standard, and are valid for its field of application. Provided that the components are used to the intended purpose, all requirements with respect to the occurring of electrical, mechanical, thermic and corrosive stress will be satisfied.

The dimensions and tolerances specified on the customer drawing reflect the geometry in dry condition and do not consider humidity and temperature effects. A specific agreement / specification between manufacturer and customer is required if certain dimensions including tolerances must be guaranteed under environmental conditions in the storage phase or the application (e.g. high humidity and / or temperature).



12	69.85	2.75
11	63.5	2.5
10	57.15	2.25
9	50.8	2
8	44.45	1.75
7	38.1	1.5
6	31.75	1.25
5	25.4	1
4	19.05	0.75
3	12.7	0.5
2	6.35	0.25
n	L1	L1
Poles	[mm]	[inch]

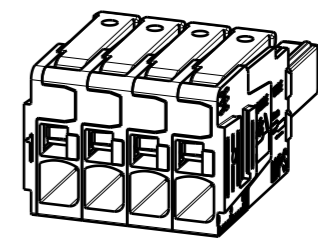
Meaning of names:

e.g. MPS 6/04 S ...

n = Poles

P = Pitch (6.35mm/0.25")

Further Dim. & Info. See data sheet



Drawings Customer			82595 Drawing no.	Index 4
Approved	23.04.2026			
		MPS 6/... S FEMALE PLUG		

The reproduction, distribution and utilization of this document as well as the communication of its contents to others without explicit authorization is prohibited. Offenders will be held liable for the payment of damages. Weidmüller exclusively reserves the right to file for patents, utility models or designs.

© Weidmüller Interface GmbH & Co. KG