

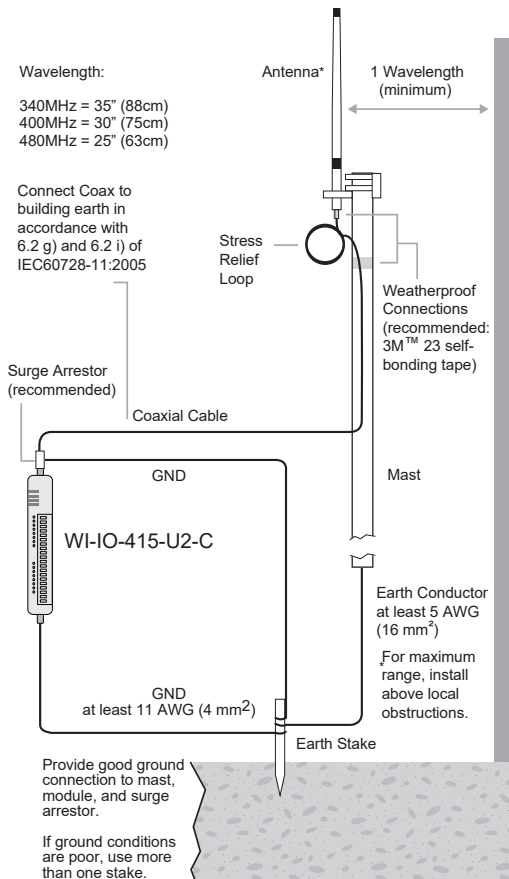
# WI-IO-415-U2-C

## Wireless Mesh Networking I/O & Gateway Installation Guide

### Antenna installation

When selecting an antenna, consider radio proximity. Use Figure 1 as a guide for installing an antenna and attaching it to the WI-IO-415-U2-C.

Figure 1. Antenna installation



### Connecting to the module for configuration

- Download and install configuration application “CConfig” from the Weidmüller website [www.weidmuller.com](http://www.weidmuller.com)
- Connect to PC using supplied USB cable
- Connect to the device at 192.168.111.1  
Or 1.1.1.1 (firmware v2.4)
- The PC will be automatically assigned an IP address via DHCP

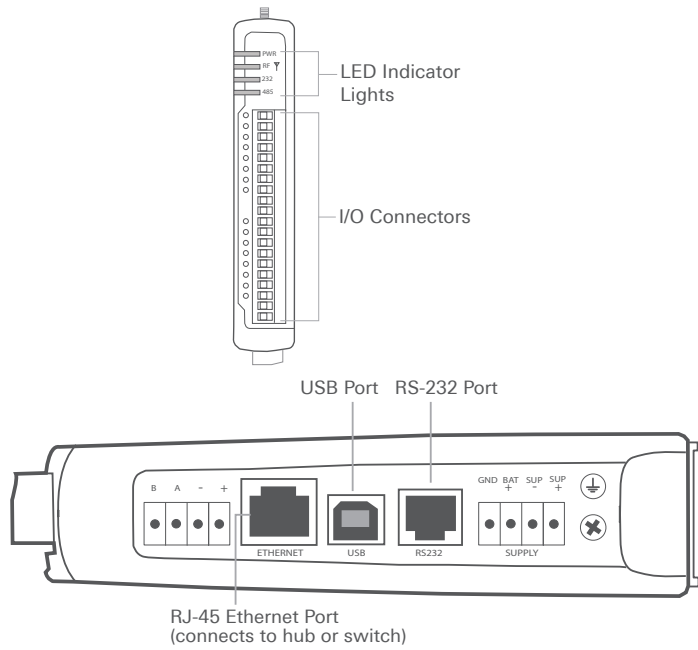
**Username:** user  
**Password:** user

# WI-IO-415-U2-C Wireless Mesh Networking I/O & Gateway Installation Guide

## NOTE

All connections must be SELV <50 Vac and <60 Vdc.

The following illustrations show the ports on the WI-IO-415-U2-C.

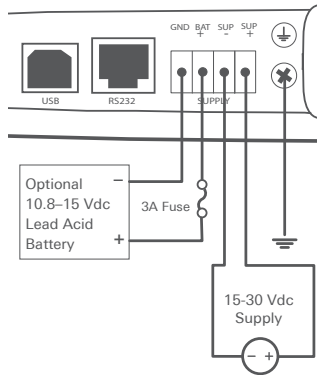


## Power supply wiring

The ground (GND) and "SUP -" terminals are connected internally to the ground terminal and to the module enclosure.

Connect the screw terminal on the end plate to ground for surge protection.

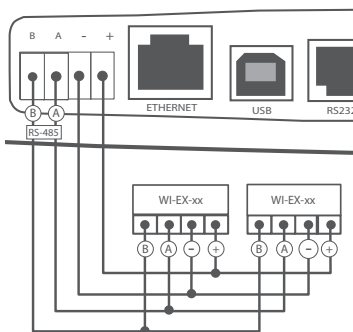
Refer to user manual for RF duty cycle derating when powering the module from SUP+ and SUP- terminals.



## Expansion I/O power and RS-485 serial connection

An on-board RS-485 terminating resistor provides line termination for long runs.

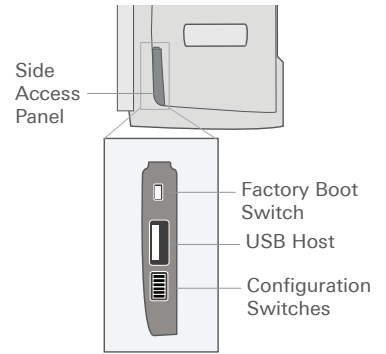
Enable terminating resistors at far end of the RS-485 cable.



## Configuration switches

Use the DIP switches in the side access panel to select analog input voltage and current, external boot, and default configuration settings.

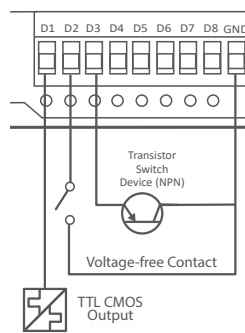
DIP	DESCRIPTION
1	AI3 current/voltage
2	AI3 current/voltage
3	AI4 current/voltage
4	AI4 current/voltage
5	Unused
6	Enables default configuration



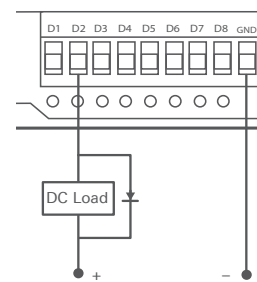
## Input and output connections

The digital input/output channels can be wired as inputs or outputs.

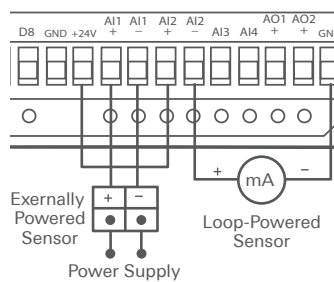
### Digital input



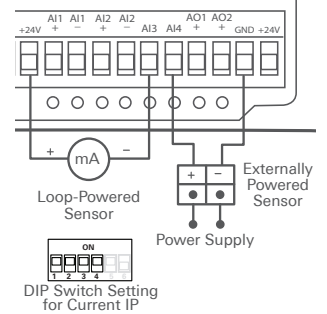
### Digital output



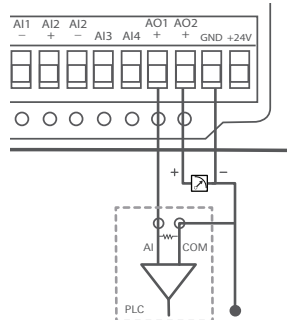
### Differential current inputs (AI1, AI2)



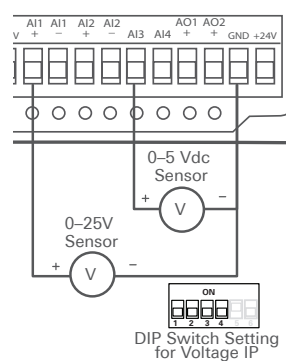
### Single-ended current input (AI3, AI4)



### Analog output



### Single-ended voltage input



Weidmuller USA  
821 Southlake Boulevard  
Richmond, Virginia 23236  
Main: 804.794.2877  
Customer & Technical Support: 1 800.849.9343  
Fax: 804.794.0252  
info@weidmuller.com / support@weidmuller.com  
www.weidmuller.com

Weidmuller Canada  
10 Spy Court  
Markham, Ontario L3R 5H6  
Main: 905.475.1507  
Toll Free: 1 800.268.4080  
Toll Free Fax: 1 877.300.5635  
Fax Admin: 905.475.5855  
info1@weidmuller.ca / support@weidmuller.ca  
www.weidmuller.ca

Weidmuller Mexico  
Blvd. Hermanos Serdán 698  
Col. San Rafael Oriente  
Puebla, Puebla, Mexico  
C.P. 72029  
Main: 01 222 2686267  
Fax: 01 222 2686219  
clientes@weidmuller.com.mx  
www.weidmuller.com.mx

