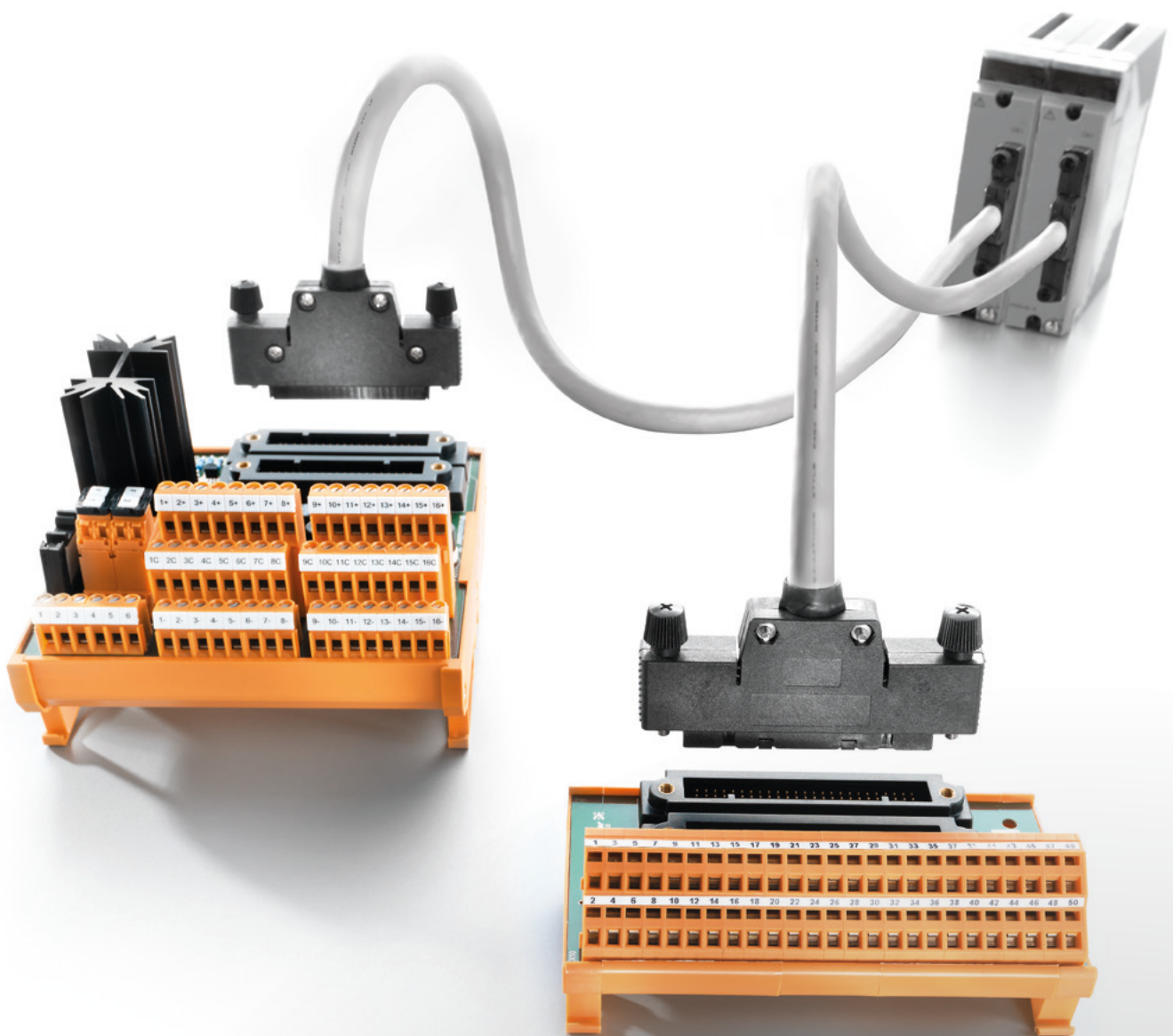


PLC System Cabling

Interfaces units for Yokogawa CS3000 and ProSafe



Secure and fast connection between Distributed Control Systems (DCS) and the field

The goal is to provide a simple and clean connection between sensors/actuators and the Yokogawa controllers. This is achieved by using our interface units in the marshalling cabinets.

The main goals of the Yokogawa CS3000 and Prosafe interfaces are to prevent cabling errors, save space in the electronics cabinet and save time and costs in the construction of electronics cabinets.

This is where our interface units for the Yokogawa CS3000 and ProSafe controllers score: the compact interfaces minimise cabling costs and offer significant benefits such as the regulated power supply with control relay. If required we supply the components with a coating according to corrosion class G3.

These benefits and more will enable you to establish the optimum connection between field elements and input/output cards from Yokogawa.

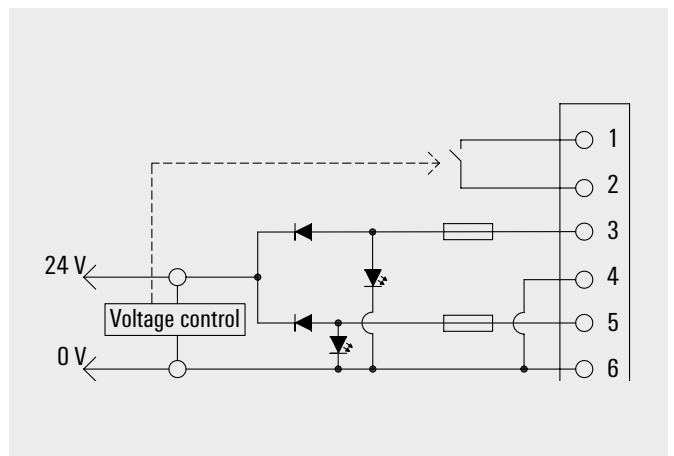
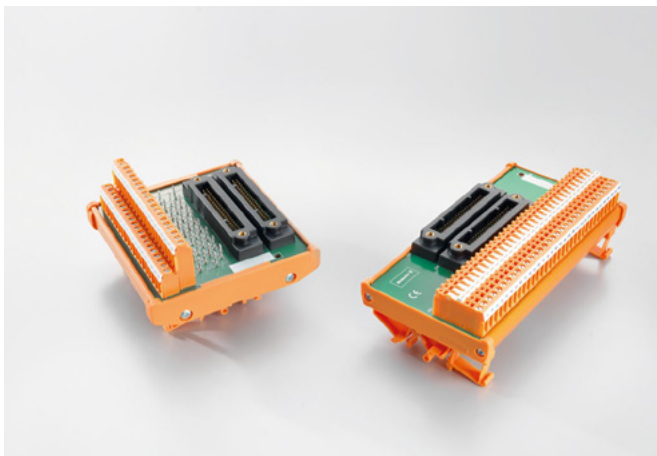


Reliable connection

The interface units are provided with a screw or tension clamp connection on the field side and with compatible connectors to KS or AKB cables on the control side.

Wide range of interfaces

The range includes passive input/output interfaces for digital and analogue signals and isolated interfaces with relays incorporating a compact design.



Numerous integral functions

Isolators, fuses with fault display, status LEDs: field sensors may be supplied with power within the individual modular terminal.

Redundancy supply control

Up to two power supplies can be connected to the interface units for Yokogawa systems. If one of the power supplies falls below approx. 12 V an alarm is activated and the power supply LED is extinguished.

Yokogawa CS3000 – Selection guide

The following selection guides enable you to quickly and easily choose the correct products according to your application needs:

STEP 1: Choose the Yokogawa Card to be used.

STEP 2: Choose the most suitable interface for the application.

Example: For AAB841 it's possible to select different options:

* In screw: 1371470000, 1371600000, 1371640000

* In tension clamp: 1371500000, 1371610000, 1371650000

This is small selection of the most frequently used termination boards. Other termination boards are also availables.

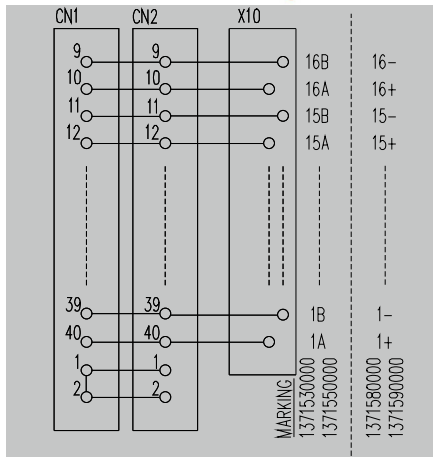
G3 termination boards can also be provided under demand.

STEP 1		STEP 2										
Yokogawa Card		TBY (Weidmüller Interfaces for Yokogawa)										
Kind of Card	Card	Kind of connector	Redundancy Power supply	Fuses per channel	Disconnect + Test points	Forks for components	Led channel	Led fuse	Relay	Type	Order No. Screw	Order No. Tension clamp
8 analogue input/ 8 analogue output	AAB841	KS								TBY-C3-AIO-2KS	1371470000	1371500000
		KS			↔					TBY-C3-AIO+2KS	1371600000	1371610000
		KS				Y				TBY-C3-UNIV-SP-2KS	1371640000	1371650000
8 analogue inputs	AAI135 AAP135	KS								TBY-C3-AIO-2KS	1371470000	1371500000
		KS			↔					TBY-C3-AIO+2KS	1371600000	1371610000
		KS				Y				TBY-C3-UNIV-SP-2KS	1371640000	1371650000
16 analogue current input	AAI141 AAI143	KS								TBY-C3-AIO-2KS	1371470000	1371500000
		KS								TBY-C3-16AI-2KS	1371530000	1371550000
		KS			↔					TBY-C3-AIO+2KS	1371600000	1371610000
4 analogue current input/ 4 analogue current output	AAI835	KS								TBY-C3-AIO-2KS	1371470000	1371500000
		KS			↔					TBY-C3-AIO+2KS	1371600000	1371610000
		KS				Y				TBY-C3-UNIV-SP-2KS	1371640000	1371650000
8 analogue input/ 8 analogue output	AAI841	KS								TBY-C3-AIO-2KS	1371470000	1371500000
		KS			↔					TBY-C3-AIO+2KS-Z	1371600000	1371610000
		KS				Y				TBY-C3-UNIV-SP-2KS	1371640000	1371650000
16 analogue voltage input	AAV141 AAV142 AAV144	KS								TBY-C3-AIO-2KS	1371470000	1371500000
		KS								TBY-C3-16AIO-2KS	1371580000	1371590000
		KS			↔					TBY-C3-AIO+2KS-Z	1371600000	1371610000
16 analogue output	AAV542 AAV544 AAI543	KS								TBY-C3-AIO-2KS	1371470000	1371500000
		KS								TBY-C3-16AIO-2KS	1371580000	1371590000
		KS			↔					TBY-C3-AIO+2KS	1371600000	1371610000
16 RTD analogue input	AAR145	AKB								TBY-C3-UNIV-2KB	1384090000	1384080000
		AKB								TBY-C3-UNIV-SP-2KS	1371640000	1371650000
		AKB								TBY-C3-UNIV-2KB	1384090000	1384080000
32 digital input	ADV151 ADV161 (Use 2 TBY per card)	AKB	2 A							TBY-ADV151-PS-L-2KB	1384350000	1384340000
		AKB	2 A	100 mA						TBY-ADV151-PS-FL-2KB	1397820000	1397830000
		AKB	2 A	100 mA					24 V DC	TBY-ADV151-24-PS-2KB	1384330000	1384320000
		AKB	2 A	100 mA					48 V DC	TBY-ADV151-48-PS-2KB	1384280000	1384250000
32 digital output	ADV551 ADV561 (Use 2 TBY per card)	AKB								TBY-C3-UNIV-2KB	1384090000	1384080000
		AKB	1 A						24 V DC	TBY-ADV551-CF-PS-2KB	1379500000	1379510000

Note:

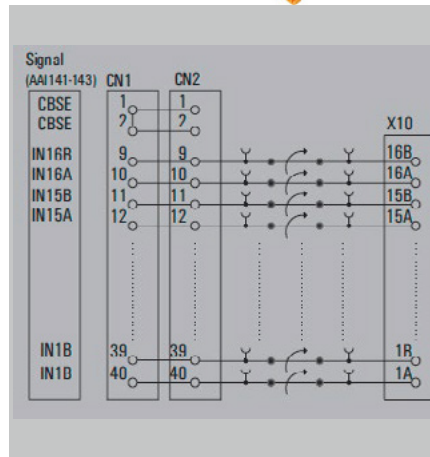
TBY Input/output interfaces for CS3000

TBY-C3-
Passive interface 40p (KS)



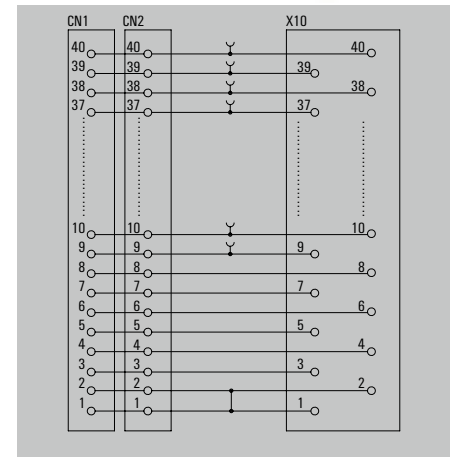
Type	Height	Order No
TBY-C3-AIO-2KS-S*	56mm	1371470000
TBY-C3-AIO-2KS-Z*	52mm	1371500000
TBY-C3-16AI-2KS-S	56mm	1371530000
TBY-C3-16AI-2KS-Z	52mm	1371550000
TBY-C3-16AIO-2KS-S	56mm	1371580000
TBY-C3-16AIO-2KS-Z	52mm	1371590000

TBY-C3-AIO-I-2KS
Passive interface with disconnecter 40p (KS)



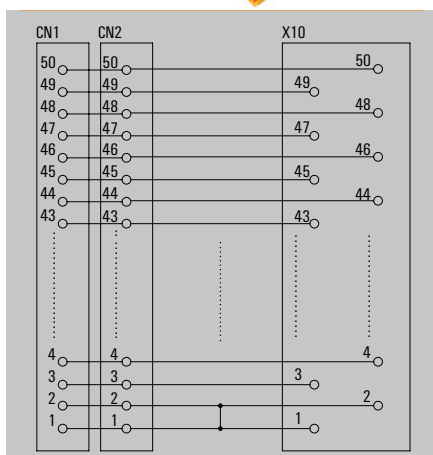
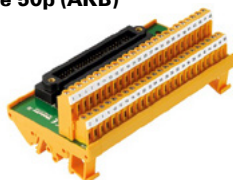
Type	Height	Order No
TBY-C3-AIO-I-2KS-S	56mm	1371600000
TBY-C3-AIO-I-2KS-Z	59mm	1371610000

TBY-C3-UNIV-SP-2KS
Passive interface with pins for soldering component 40p (KS)



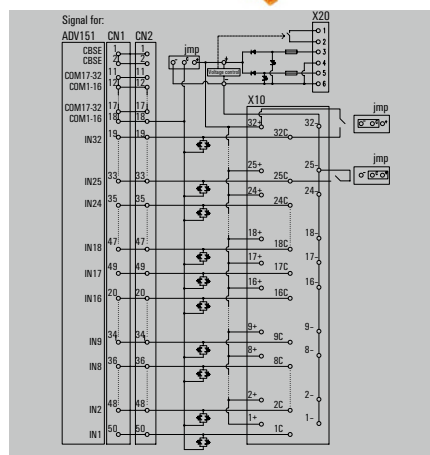
Type	Height	Order No
TBY-C3-UNIV-SP-2KS-S	70mm	1371640000
TBY-C3-UNIV-SP-2KS-Z	65mm	1371650000

TBY-C3-UNIV-2KB
Passive interface 50p (AKB)



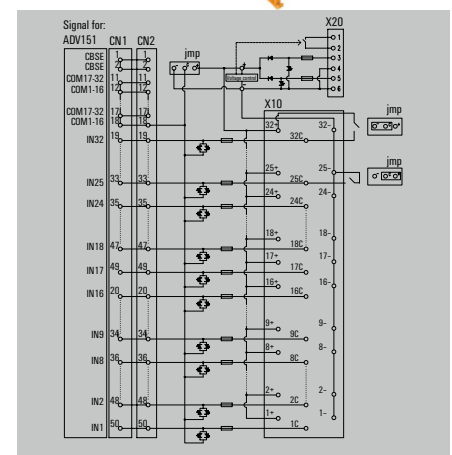
Type	Height	Order No
TBY-C3-UNIV-2KB-S	56 mm	1384090000
TBY-C3-UNIV-2KB-Z	52 mm	1384080000

TBY-ADV151-PS-L-2KB
Passive interface with LED 50p (AKB) - ADV151



Type	Height	Order No
TBY-ADV151-PS-L-2KB-S	85 mm	1384350000
TBY-ADV151-PS-L-2KB-Z	85 mm	1354340000

TBY-ADV151-PS-F-L-2KB
Passive interface with fuse + LED 50p (AKB) - ADV151



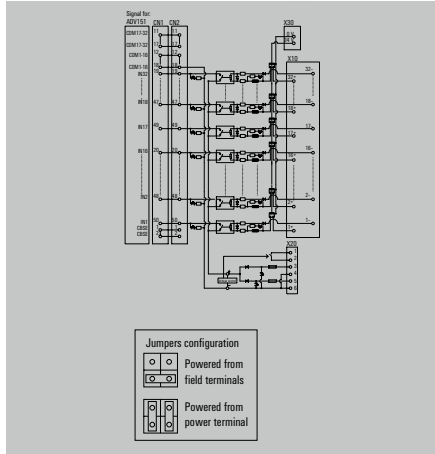
Type	Height	Order No
TBY-ADV151-PS-F-L-2KB-S	95 mm	1397820000
TBY-ADV151-PS-F-L-2KB-Z	95 mm	1397830000

*Interface without markers

TBY Input/output interfaces for CS3000

TBY-ADV151-24-PS-2KB

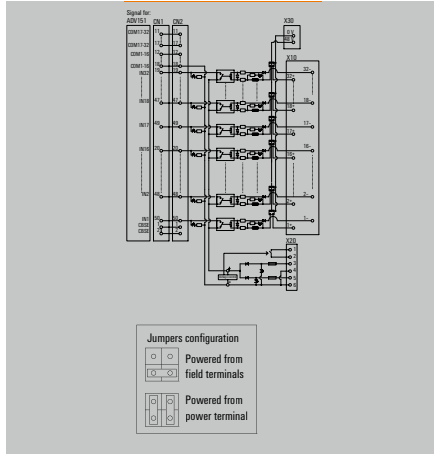
Isolated interface with relays and fuses
50p (AKB) - ADV151 24Vdc



Type	Height	Order No
TBY-ADV151-24-PS-2KB-S	95 mm	1384330000
TBY-ADV151-24-PS-2KB-Z	95 mm	1384320000

TBY-ADV151-48-PS-2KB

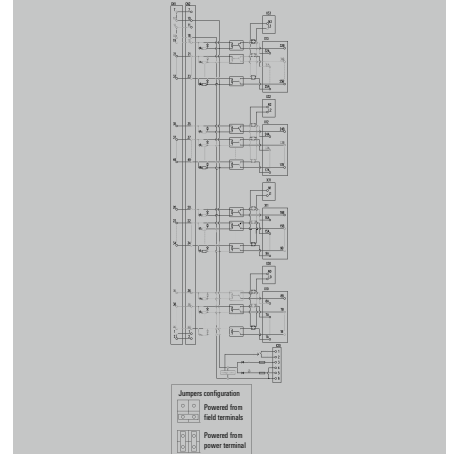
Isolated interface with relays and fuses
50p (AKB) - ADV151 48Vdc



Type	Height	Order No
TBY-ADV151-48-PS-2KB-S	95 mm	1384280000
TBY-ADV151-48-PS-2KB-Z	95 mm	1384250000

TBY-ADV551-CF-PS-2KB

Isolated interface with relays 50p (AKB) -
ADV551 24Vdc

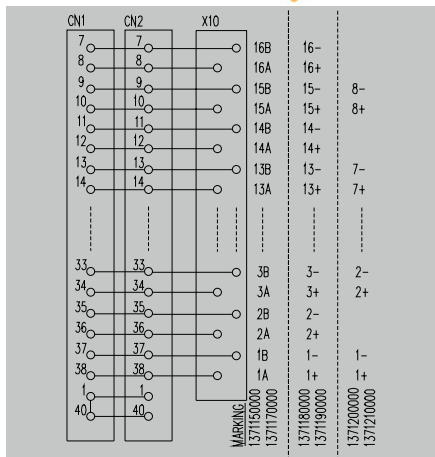


Type	Height	Order No
TBY-ADV551-CF-PS-2KB-S	95 mm	1379500000
TBY-ADV551-CF-PS-2KB-Z	95 mm	1379510000

TBY Input/Output interfaces for ProSafe

TBY-

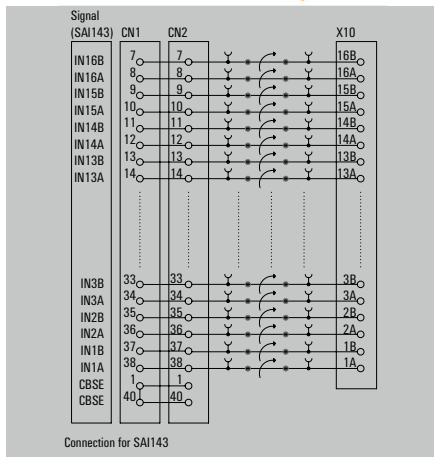
Passive interface 40p (KS)



Type	Height	Order No
TBY-RS-AIO-2KS-S*	56 mm	1371130000
TBY-RS-AIO-2KS-Z*	52 mm	1371140000
TBY-SAI143-2KS-S	56 mm	1371150000
TBY-SAI143-2KS-Z	52 mm	1371170000
TBY-SAV144-2KS-S	56 mm	1371180000
TBY-SAV144-2KS-Z	52 mm	1371190000
TBY-SAI533-2KS-S	56 mm	1371200000
TBY-SAI533-2KS-Z	52 mm	1371210000

TBY-RS-AIO-I-2KS

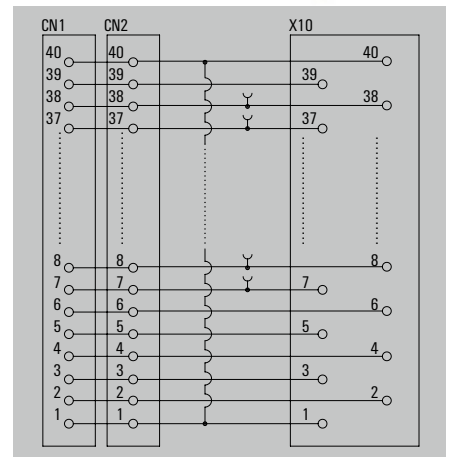
Passive interface with disconnecter 40p (KS)



Type	Height	Order No
TBY-RS-AIO-I-2KS-S	56 mm	1371220000
TBY-RS-AIO-I-2KS-Z	59 mm	1371230000

TBY-RS-UNIV-SP-2KS

Passive interface with pins for soldering component 40p (KS)



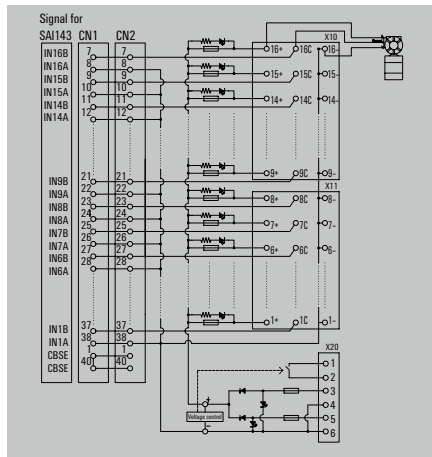
Type	Height	Order No
TBY-RS-UNIV-SP-2KS-S	70 mm	1371340000
TBY-RS-UNIV-SP-2KS-Z	65 mm	1371370000

*Interface without markers

TBY Input/Output interfaces for ProSafe

TBY-SAI143-F-L-PS-2KS

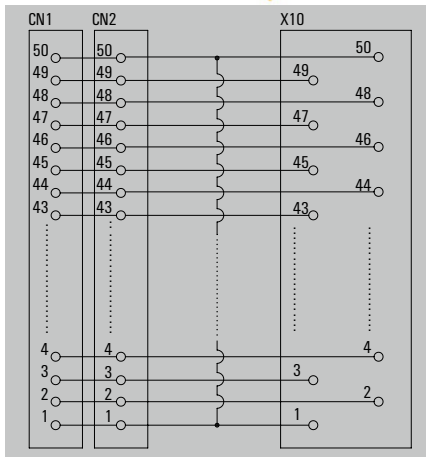
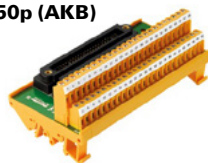
Passive interface with fuse + LED 40p (KS)
- SAI143



Type	Height	Ordner No
TBY-SAI143-F-L-PS-2KS-S	107 mm	1371240000
TBY-SAI143-F-L-PS-2KS-Z	107 mm	1371250000

TBY-PS-DI0-2KB

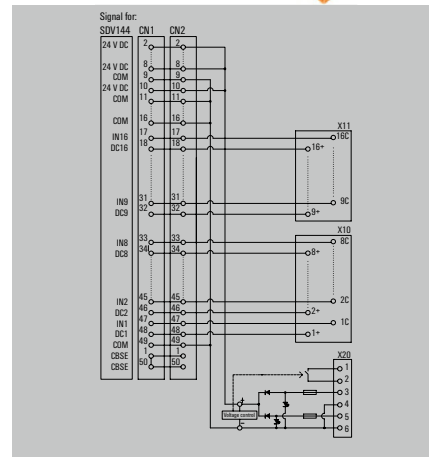
Passive interface 50p (AKB)



Type	Height	Ordner No
TBY-PS-DI0-2KB-S	56 mm	1371540000
TBY-PS-DI0-2KB-Z	52 mm	1371570000

TBY-SDV144-PS-2KB

Passive interface 50p (AKB) -SDV144

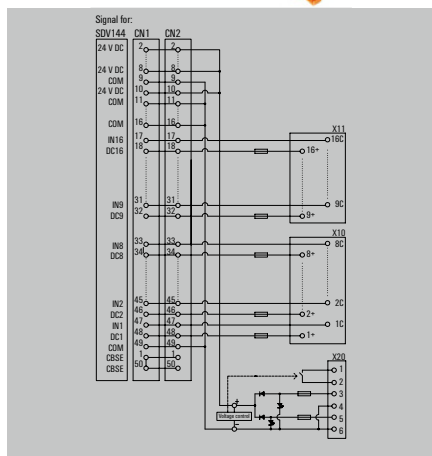


Type	Height	Ordner No
TBY-SDV144-PS-2KB-S	80 mm	1371390000
TBY-SDV144-PS-2KB-Z	80 mm	1371410000

TBY Input/Output interfaces for ProSafe

TBY-SDV144-F-PS-2KB

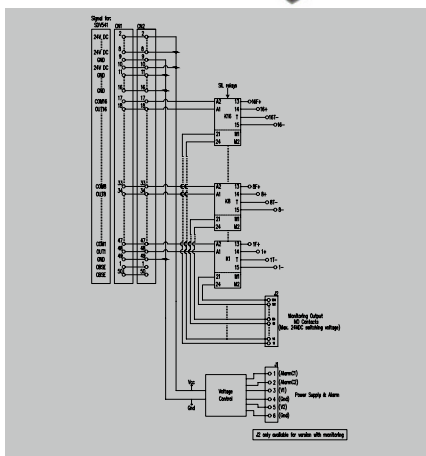
Passive interface with fuses 50p (AKB)
-SDV144



Type	Height	Ordner No
TBY-SDV144-F-PS-2KB-S	80 mm	1395370000
TBY-SDV144-F-PS-2KB-Z	80 mm	1395380000

BKP-16D0-SDV541

Backplane with SIL3 relay Yokogawa



Type	Height	Ordner No
BKP-16D0-SDV541-V0-S	125 mm	2461730000
BKP-16D0-SDV541-V1-S	125 mm	2436230000

Pre-assembled cables

PAC-YOK-MIL-F

Cable MIL connector to ferrules



Type	Qty.	Order No
PAC-YOK-MIL40-F-1M	1	2420520010
PAC-YOK-MIL50-F-1M	1	2420530010

PAC-YOK-MIL-VO

Cable MIL connector to MIL Connector



Type	Qty.	T. clamp
PAC-YOK-MIL40-VO-1M	1	1536840010
PAC-YOK-MIL50-VO-1M	1	1536820010

Yokogawa Pro Safe – Selection guide

The following selection guides enable you to quickly and easily choose the correct products according to your application needs:

STEP 1: Choose the Yokogawa Card to be used.

STEP 2: Choose the most suitable interface for the application.

Example: For SAI143 it's possible to select different options:

* In screw: 1371130000,1371150000,1371220000,1371340000,1371240000

* In tension clamp: 1371140000,1371170000,1371230000,1371250000

This is small selection of the most frequently used termination boards. Other termination boards are also availables.

G3 termination boards can also be provided under demand.

STEP 1		STEP 2										
Yokogawa Card		TBY (Weidmüller Interfaces for Yokogawa)										
Kind of Card	Card	Kind of connector	Redundancy Power supply	Fuses per channel	Disconnect + Test points	Forks for components	Lead channel	Lead fuse	Relay	Type	Order No. Screw	Order No. Tension clamp
16 analogue current input	SAI143	KS								TBY-RS-AIO-2KS	1371130000	1371140000
		KS								TBY-SAI143-2KS	1371150000	1371170000
		KS			↔					TBY-RS-AIO-2KS	1371220000	1371230000
		KS				Y				TBY-RS-UNIV-SP-2KS	1371340000	1371370000
8 analogue current output	SAI533	KS	6,3 A	1 A				Yes		TBY-SAI143-F-L-PS-2KS	1371240000	1371250000
		KS								TBY-RS-AIO-2KS	1371130000	1371140000
		KS								TBY-SAI533-2KS	1371200000	1371210000
		KS			↔					TBY-RS-AIO-2KS	1371220000	1371230000
16 analogue voltage input	SAV144	KS								TBY-RS-UNIV-SP-2KS	1371340000	1371370000
		KS								TBY-RS-AIO-2KS	1371130000	1371140000
		KS								TBY-SAV144-2KS	1371180000	1371190000
		KS			↔					TBY-RS-AIO-2KS	1371220000	1371230000
16 digital input	SDV144	AKB	2 A							TBY-RS-UNIV-SP-2KS	1371340000	1371370000
		AKB	2 A	100 mA						TBY-SDV144-F-PS-2KB	1371390000	1371410000
		AKB								TBY-SDV144-F-PS-2KB	1395370000	1395380000
4 digital output	SDV521	AKB							TBY-RS-DIO-2KB	1371540000	1371570000	
8 digital output	SDV531	AKB							TBY-RS-DIO-2KB	1371540000	1371570000	
16 digital output	SDV541	AKB							TBY-RS-DIO-2KB	1371540000	1371570000	

Note:



Our online configurator quickly guides you to the right product selection:

http://galaxy.weidmueller.com/wi_plc

Weidmüller – Your partner in Smart Industrial Connectivity

As experienced experts we support our customers and partners around the world with products, solutions and services in the industrial environment of power, signal and data. We are at home in their industries and markets and know the technological challenges of tomorrow. We are therefore continuously developing innovative, sustainable and useful solutions for their individual needs. Together we set standards in Smart Industrial Connectivity.

We cannot guarantee that there are no mistakes in the publications or software provided by us to the customer for the purpose of making orders. We try our best to quickly correct errors in our printed media.

All orders are based on our general terms of delivery, which can be reviewed on the websites of our group companies where you place your order. On demand we can also send the general terms of delivery to you.

Yokogawa, Prosafe Centrum are registered trademarks of Yokogawa Electric Corporation.

Weidmüller Interface GmbH & Co. KG
Klingenbergstraße 26
32758 Detmold, Germany
T +49 5231 14-0
F +49 5231 14-292083
www.weidmueller.com

Personal support can
be found on our website:
www.weidmueller.com/contact

Made in Germany

09/2023/SMM