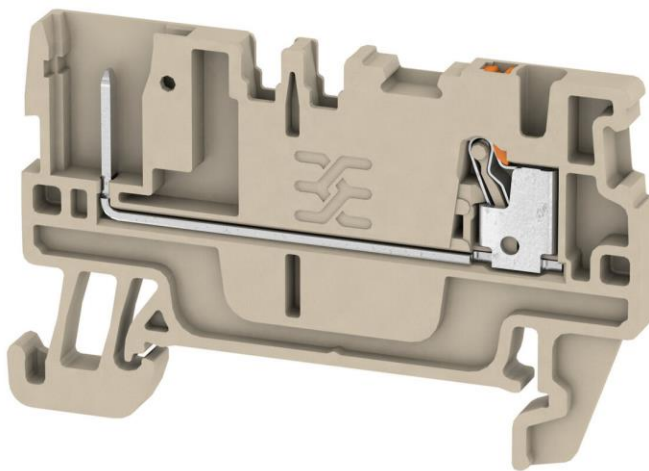


**Terminal blocks**  
**Pluggable**  
**PUSH IN**  
**APGTB**

**Weidmüller Interface GmbH & Co. KG**  
Klingenbergstraße 26  
D-32758 Detmold  
Germany

[www.weidmüller.com](http://www.weidmüller.com)



## General data

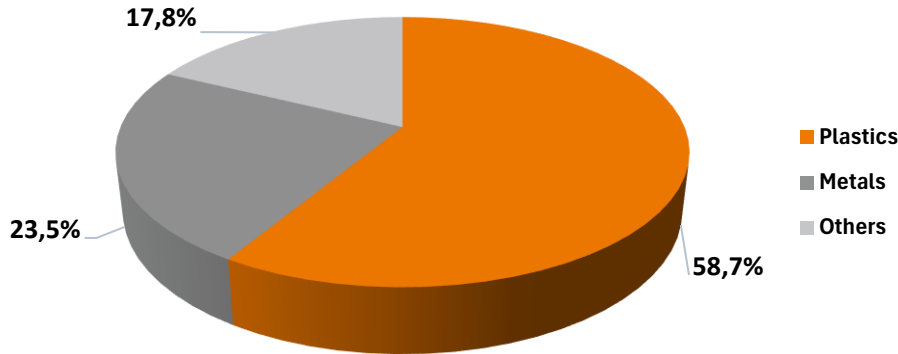
<b>Reference product</b>	2482160000 APGTB 1.5 FT 2C/1
<b>Description of the product</b>	The Weidmüller pluggable PUSH IN terminal blocks enable simple and secure installation for modular connection systems. Their plug-and-play design allows fast replacement of complete functional units. High vibration resistance makes them ideal for demanding environments such as railway and marine applications.
<b>Functional unit</b>	Connect 2 clamping units between 2 or more wires for a rated cross-section 1.5 mm <sup>2</sup> , with rated voltage 500 V, rated current 17,5 A, and a voltage drop 1,7 mV, according to the appropriate use scenario, and for the reference service life of the product of 20 years.

## Other products covered

2485840000	2485850000	2675770000	2675780000	2485860000
2675790000	2485870000	2675800000	2485920000	2485930000
2675810000	2482170000	2675680000	2675690000	2482180000
2482190000	2675710000	2675720000	2762010000	2482200000
2482210000	2675740000	2675750000	2898120000	2898130000
2482220000	2675700000	2482230000	2675730000	2482240000
2675760000	2898140000	1548060000	1548070000	2675910000
2675920000	1548130000	2675930000	1548160000	2675940000
1548140000	1548150000	2675950000	1513970000	1513990000
2675820000	2675830000	1514000000	1514020000	2675850000
2675860000	1514030000	1514040000	2675880000	2675890000
2898150000	2898160000	1513870000	2675840000	1513890000
2675870000	1513920000	2675900000	2898170000	2540230000
2540250000	2676050000	2676060000	2540290000	2676070000
2540300000	2676080000	2540260000	2540270000	2676090000
2540050000	2540060000	2675960000	2675970000	2540070000
2540080000	2675990000	2676000000	2540090000	2540100000
2676020000	2676030000	2540110000	2675980000	2540170000
2676010000	2540180000	2676040000	3002280000	3002300000
3002290000	3002330000	3002320000	3002340000	

## Constituent Materials

The total weight of the reference product is 4,5 g (including packaging material). The constituent materials are distributed as follows:



Categorisation according to the material classes of IEC 62474:

Plastics			Metals			Other		
M-208	Polyamide (PA)	57,9 %	M-121	Copper and its alloys	22,3 %	M-341	Paper	17,8 %
M-258	Polyamide (PA)	0,9 %	M-100	Stainless steel	1,1 %			
<b>Plastics in total</b>		<b>58,7 %</b>	<b>Metals in total</b>		<b>23,5 %</b>	<b>Others in total</b>		<b>17,8 %</b>

The products are in compliance with RoHS (EU Directive 2011/65/EU).

According to the REACH Regulation 1907/2006, the ECHA publishes on its website which substances are to be classified as so-called substances of very high concern (SVHC). As soon as an article contains SVHC above the respective threshold values for the declaration obligation according to Article 33, the affected articles and the SVHC they contain are published in the online product catalogue at each product.

The online product catalogue site of the reference product can be accessed via the link:

<https://eshop.weidmueller.com/p/2482160000>

## Additional Environmental Information

<b>Manufacture</b>	This stage includes the manufacturing of the product and its packaging as well as the transport to the manufacturer's last logistics platform located in Hörselbach-Hainich (Germany). The final assembly site is located in Romania. Transport packaging, used in addition to product packaging when required for delivery, is excluded from the system boundaries.
<b>Distribution</b>	The shipment is made from the distribution centre to the customer by truck. The transport route to the customer was assumed to be 3500 km by lorry.
<b>Installation</b>	Only the disposal of the packaging is considered in this phase, as the installation is carried out manually with non-electrical tools.
<b>Use</b>	No maintenance or utilities are required during use. The power consumption was calculated according to the use scenario below.
<b>End of Life</b>	The end-of-life stage is modelled based on the data from Eurostat. The transport route to the disposal company was assumed to be 1000 km by lorry.

## Environmental Impacts

<b>Reference Service Lifetime</b>	20 years			
<b>Product category</b>	IEC 63366:2025			
<b>Installation elements</b>	No special installation elements required.			
<b>Use scenario</b>	<p>During the use phase, the product dissipates some electricity due to power losses. The average power loss was calculated using the following assumptions according PSR:</p> <ul style="list-style-type: none"> <li>- RSL of 20 years;</li> <li>- Load rate: 30 % of the rated current</li> <li>- Use rate: 90 % RSL.</li> </ul>			
<b>Geographical representativeness</b>	Europe			
<b>Software</b>	Sphera LCA for Experts, v10.9.4.13			
<b>Database</b>	Sphera MLC Databases 2025.2			
<b>Energy model</b>	<b>Manufacture*</b>	<b>Installation</b>	<b>Use</b>	<b>End of Life</b>
	Romania	-	Europe	Europe

\*Energy model of the final assembly site.

The following tables represent the impact values of the reference product according to DIN EN 15804:2022-03 except for the environmental indicators of output flows and information on the biogenic carbon content of the product and the associated packaging.

## Environmental impact indicators

Indicator	Unit	Total*	Manufacturing A1-A3	Distribution A4	Installation A5	Use B1-B7	End of Life C1-C4	Benefits and Loads D
Climate change - total	kg CO <sub>2</sub> eq.	1,55E+00	4,21E-02	1,06E-03	1,99E-04	1,51E+00	3,12E-04	-2,91E-02
Climate change - fossil	kg CO <sub>2</sub> eq.	1,53E+00	4,27E-02	1,08E-03	1,42E-05	1,49E+00	2,63E-04	-3,03E-02
Climate change - biogenic	kg CO <sub>2</sub> eq.	1,48E-02	-6,67E-04	-2,38E-05	1,84E-04	1,53E-02	4,64E-05	1,27E-03
Climate change - land use and land use change	kg CO <sub>2</sub> eq.	4,96E-03	4,69E-05	1,11E-05	7,63E-08	4,90E-03	2,51E-06	-9,37E-05
Ozone depletion	kg CFC 11 eq.	3,44E-11	5,88E-13	1,79E-16	2,52E-17	3,38E-11	4,88E-17	-7,94E-14
Acidification	mol H <sup>+</sup> eq.	3,37E-03	1,16E-04	1,67E-06	6,39E-08	3,25E-03	3,99E-07	-1,18E-04
Eutrophication - freshwater	kg P eq.	3,27E-06	8,80E-08	2,90E-09	6,27E-10	3,18E-06	1,88E-09	-7,47E-08
Eutrophication - marine aquatic	kg N eq.	8,04E-04	2,30E-05	6,79E-07	3,01E-08	7,80E-04	1,71E-07	-2,99E-05
Eutrophication - terrestrial	mol N- eq.	9,00E-03	2,45E-04	7,20E-06	2,64E-07	8,75E-03	1,72E-06	-3,12E-04
Photochemical ozone formation	kg NMVOC	2,01E-03	7,47E-05	1,48E-06	9,28E-08	1,94E-03	3,78E-07	-9,59E-05
Resource use, mineral and metals	kg Sb eq.	3,36E-06	3,05E-06	7,16E-11	8,13E-13	3,09E-07	1,63E-11	-2,57E-06
Resource use, fossils	MJ	3,10E+01	6,72E-01	1,38E-02	1,91E-04	3,03E+01	3,16E-03	-5,04E-01
Water use	m <sup>3</sup>	3,79E-01	6,04E-03	4,92E-06	1,22E-05	3,72E-01	3,06E-06	-6,91E-03

## Additional environmental impact indicators

Indicator	Unit	Total*	Manufacturing A1-A3	Distribution A4	Installation A5	Use B1-B7	End of Life C1-C4	Benefits and Loads D
Particulate matter	Disease incidences	2,79E-08	1,02E-09	1,49E-11	4,98E-13	2,69E-08	3,57E-12	-9,09E-10
Ionising radiation, human health	kBq U235 eq.	7,92E-01	1,96E-03	3,74E-06	4,02E-07	7,90E-01	9,64E-07	-1,37E-03
Ecotoxicity, freshwater	CTUe	5,49E+00	3,48E-01	1,79E-02	1,82E-04	5,12E+00	4,11E-03	-2,58E-01
Human toxicity, cancer	CTUh	5,02E-10	1,95E-11	2,42E-13	3,40E-15	4,82E-10	5,59E-14	-2,76E-11
Human toxicity, non-cancer	CTUh	1,06E-08	4,32E-10	1,35E-11	2,30E-13	1,02E-08	3,16E-12	-2,89E-10
Land Use	-	1,25E+01	3,31E-01	6,10E-03	5,21E-05	1,21E+01	1,38E-03	-6,84E-02

## Resources use indicators

Indicator	Unit	Total*	Manufacturing A1-A3	Distribution A4	Installation A5	Use B1-B7	End of Life C1-C4	Benefits and Loads D
Use of renewable primary energy	MJ	2,09E+01	2,08E-01	1,04E-03	2,25E-05	2,07E+01	2,41E-04	-6,74E-02
Total use of renewable primary energy resources	MJ	2,09E+01	2,08E-01	1,04E-03	2,25E-05	2,07E+01	2,41E-04	-6,74E-02
Use of non-renewable primary energy	MJ	3,10E+01	6,72E-01	1,38E-02	1,91E-04	3,03E+01	3,16E-03	-5,04E-01
Total use of non-renewable primary energy resources	MJ	3,10E+01	6,72E-01	1,38E-02	1,91E-04	3,03E+01	3,16E-03	-5,04E-01
Input of secondary material	kg	0,00E+00	0,00E+00	0,00E+00	0,00E+00	0,00E+00	0,00E+00	0,00E+00
Use of renewable secondary fuels (RSF)	MJ	0,00E+00	0,00E+00	0,00E+00	0,00E+00	0,00E+00	0,00E+00	0,00E+00
Use of non-renewable secondary fuels (NRSF)	MJ	0,00E+00	0,00E+00	0,00E+00	0,00E+00	0,00E+00	0,00E+00	0,00E+00
Use of net fresh water	m³	1,64E-02	3,24E-04	5,14E-07	2,93E-07	1,61E-02	1,63E-07	-1,62E-04

## Waste category indicators

Indicator	Unit	Total*	Manufacturing A1-A3	Distribution A4	Installation A5	Use B1-B7	End of Life C1-C4	Benefits and Loads D
Hazardous waste disposed	kg	4,01E-08	5,33E-10	5,53E-13	3,12E-14	3,96E-08	1,35E-13	-1,62E-08
Non-hazardous waste disposed	kg	2,88E-02	5,19E-03	1,93E-06	5,92E-05	2,35E-02	4,43E-05	-3,42E-04
Radioactive waste disposed	kg	4,80E-03	1,50E-05	2,60E-08	2,64E-09	4,78E-03	6,68E-09	-8,87E-06

\*In accordance with the current Product Category Rules (PCR), the values presented in the 'Total' column do not include the benefits and loads beyond the system boundaries as represented in 'Module D'.

The following table represents the environmental impact indicators for products other than the reference product covered by this Environmental Product Declaration (EPD).

Product number	Life Cycle Phase	Climate change - total	Climate change - fossil	Climate change - biogenic	Climate change -land use and land use change	Ozone depletion	Acidification	Eutrophication - freshwater	Eutrophication - marine	Eutrophication - terrestrial	Photochemical ozone formation	Resource use, mineral and metals	Resource use, fossils	Water use
2485840000	Total*	1,68E+00	1,66E+00	1,64E-02	5,31E-03	3,72E-11	3,68E-03	3,55E-06	8,72E-04	9,75E-03	2,20E-03	6,79E-06	3,34E+01	4,03E-01
	Manufacturing	8,23E-02	8,23E-02	-1,05E-04	8,95E-05	1,35E-12	2,31E-04	1,80E-07	4,41E-05	4,71E-04	1,41E-04	6,47E-06	1,27E+00	8,57E-03
	Distribution	1,89E-03	1,91E-03	-4,24E-05	1,97E-05	3,17E-16	2,96E-06	5,16E-09	1,21E-06	1,28E-05	2,64E-06	1,27E-10	2,45E-02	8,75E-06
	Installation	2,73E-04	1,96E-05	2,54E-04	1,05E-07	3,46E-17	8,79E-08	8,63E-10	4,14E-08	3,63E-07	1,28E-07	1,12E-12	2,63E-04	1,68E-05
	Use	1,59E+00	1,57E+00	1,62E-02	5,19E-03	3,58E-11	3,45E-03	3,36E-06	8,26E-04	9,26E-03	2,05E-03	3,27E-07	3,21E+01	3,94E-01
	End of Life	5,88E-04	4,96E-04	8,74E-05	4,72E-06	9,19E-17	7,52E-07	3,53E-09	3,22E-07	3,24E-06	7,11E-07	3,07E-11	5,96E-03	5,76E-06
	Module D	-5,44E-02	-5,59E-02	1,77E-03	-1,95E-04	-1,51E-13	-2,34E-04	-1,41E-07	-5,65E-05	-5,91E-04	-1,81E-04	-5,54E-06	-9,27E-01	-1,37E-02
2485850000	Total*	1,64E+00	1,62E+00	1,62E-02	5,27E-03	3,71E-11	3,63E-03	3,51E-06	8,57E-04	9,60E-03	2,14E-03	6,79E-06	3,28E+01	4,02E-01
	Manufacturing	4,77E-02	4,79E-02	-2,27E-04	6,54E-05	1,28E-12	1,85E-04	1,38E-07	3,03E-05	3,30E-04	8,52E-05	6,46E-06	6,47E-01	7,84E-03
	Distribution	8,78E-04	8,89E-04	-1,97E-05	9,16E-06	1,48E-16	1,38E-06	2,40E-09	5,61E-07	5,95E-06	1,23E-06	5,92E-11	1,14E-02	4,07E-06
	Installation	2,73E-04	1,96E-05	2,54E-04	1,05E-07	3,46E-17	8,79E-08	8,63E-10	4,14E-08	3,63E-07	1,28E-07	1,12E-12	2,63E-04	1,68E-05
	Use	1,59E+00	1,57E+00	1,62E-02	5,19E-03	3,58E-11	3,45E-03	3,36E-06	8,26E-04	9,26E-03	2,05E-03	3,27E-07	3,21E+01	3,94E-01
	End of Life	2,12E-04	1,79E-04	3,16E-05	1,71E-06	3,32E-17	2,72E-07	1,28E-09	1,16E-07	1,17E-06	2,57E-07	1,11E-11	2,15E-03	2,08E-06
	Module D	-1,97E-02	-2,13E-02	1,77E-03	-1,83E-04	-7,89E-14	-1,61E-04	-9,90E-08	-2,84E-05	-3,01E-04	-8,65E-05	-5,54E-06	-3,21E-01	-9,21E-03
2675770000	Total*	1,68E+00	1,66E+00	1,64E-02	5,31E-03	3,72E-11	3,68E-03	3,56E-06	8,73E-04	9,75E-03	2,20E-03	6,79E-06	3,34E+01	4,03E-01
	Manufacturing	8,36E-02	8,36E-02	-1,02E-04	9,00E-05	1,35E-12	2,32E-04	1,82E-07	4,46E-05	4,76E-04	1,43E-04	6,47E-06	1,29E+00	8,59E-03
	Distribution	1,89E-03	1,91E-03	-4,24E-05	1,97E-05	3,17E-16	2,96E-06	5,16E-09	1,21E-06	1,28E-05	2,64E-06	1,27E-10	2,45E-02	8,75E-06
	Installation	2,73E-04	1,96E-05	2,54E-04	1,05E-07	3,46E-17	8,79E-08	8,63E-10	4,14E-08	3,63E-07	1,28E-07	1,12E-12	2,63E-04	1,68E-05
	Use	1,59E+00	1,57E+00	1,62E-02	5,19E-03	3,58E-11	3,45E-03	3,36E-06	8,26E-04	9,26E-03	2,05E-03	3,27E-07	3,21E+01	3,94E-01
	End of Life	5,88E-04	4,96E-04	8,74E-05	4,72E-06	9,19E-17	7,52E-07	3,53E-09	3,22E-07	3,24E-06	7,11E-07	3,07E-11	5,96E-03	5,76E-06
	Module D	-5,50E-02	-5,65E-02	1,77E-03	-1,95E-04	-1,53E-13	-2,35E-04	-1,41E-07	-5,70E-05	-5,96E-04	-1,83E-04	-5,53E-06	-9,37E-01	-1,37E-02
2675780000	Total*	1,65E+00	1,62E+00	1,62E-02	5,27E-03	3,71E-11	3,64E-03	3,51E-06	8,58E-04	9,61E-03	2,14E-03	6,79E-06	3,28E+01	4,02E-01
	Manufacturing	4,96E-02	4,97E-02	-2,22E-04	6,84E-05	1,29E-12	1,88E-04	1,40E-07	3,11E-05	3,38E-04	8,80E-05	6,46E-06	6,80E-01	7,96E-03
	Distribution	8,78E-04	8,89E-04	-1,97E-05	9,16E-06	1,48E-16	1,38E-06	2,40E-09	5,61E-07	5,95E-06	1,23E-06	5,92E-11	1,14E-02	4,07E-06
	Installation	2,73E-04	1,96E-05	2,54E-04	1,05E-07	3,46E-17	8,79E-08	8,63E-10	4,14E-08	3,63E-07	1,28E-07	1,12E-12	2,63E-04	1,68E-05
	Use	1,59E+00	1,57E+00	1,62E-02	5,19E-03	3,58E-11	3,45E-03	3,36E-06	8,26E-04	9,26E-03	2,05E-03	3,27E-07	3,21E+01	3,94E-01
	End of Life	2,12E-04	1,79E-04	3,16E-05	1,71E-06	3,32E-17	2,72E-07	1,28E-09	1,16E-07	1,17E-06	2,57E-07	1,11E-11	2,15E-03	2,08E-06

	Module D	-2,04E-02	-2,20E-02	1,77E-03	-1,82E-04	-8,02E-14	-1,61E-04	-9,93E-08	-2,89E-05	-3,05E-04	-8,82E-05	-5,49E-06	-3,34E-01	-9,24E-03
2485860000	Total*	1,39E-01	1,39E-01	2,87E-04	4,08E-04	7,65E-12	1,16E-03	2,86E-07	9,74E-05	1,06E-03	3,08E-04	4,72E-05	1,91E+00	4,58E-02
	Manufacturing	1,13E-01	1,13E-01	-1,79E-04	3,11E-04	7,11E-12	1,10E-03	2,28E-07	8,37E-05	9,11E-04	2,74E-04	4,72E-05	1,40E+00	3,98E-02
	Distribution	1,47E-03	1,48E-03	-3,29E-05	1,53E-05	2,46E-16	2,30E-06	4,00E-09	9,36E-07	9,94E-06	2,05E-06	9,88E-11	1,90E-02	6,79E-06
	Installation	2,02E-04	1,44E-05	1,87E-04	7,74E-08	2,55E-17	6,48E-08	6,37E-10	3,05E-08	2,68E-07	9,42E-08	8,25E-13	1,94E-04	1,24E-05
	Use	2,40E-02	2,37E-02	2,44E-04	7,82E-05	5,40E-13	5,19E-05	5,07E-08	1,24E-05	1,39E-04	3,09E-05	4,92E-09	4,83E-01	5,94E-03
	End of Life	4,61E-04	3,89E-04	6,85E-05	3,70E-06	7,20E-17	5,90E-07	2,77E-09	2,52E-07	2,54E-06	5,58E-07	2,41E-11	4,67E-03	4,52E-06
	Module D	-6,76E-02	-6,84E-02	1,92E-03	-1,11E-03	-3,39E-13	-8,70E-04	-4,61E-07	-1,22E-04	-1,32E-03	-3,67E-04	-3,54E-05	-9,01E-01	-4,88E-02
2675790000	Total*	1,41E-01	1,40E-01	2,90E-04	4,09E-04	7,65E-12	1,16E-03	2,88E-07	9,79E-05	1,07E-03	3,10E-04	4,72E-05	1,93E+00	4,58E-02
	Manufacturing	1,15E-01	1,15E-01	-1,76E-04	3,12E-04	7,11E-12	1,11E-03	2,30E-07	8,43E-05	9,16E-04	2,77E-04	4,72E-05	1,42E+00	3,98E-02
	Distribution	1,47E-03	1,48E-03	-3,29E-05	1,53E-05	2,46E-16	2,30E-06	4,00E-09	9,36E-07	9,94E-06	2,05E-06	9,88E-11	1,90E-02	6,79E-06
	Installation	2,02E-04	1,44E-05	1,87E-04	7,74E-08	2,55E-17	6,48E-08	6,37E-10	3,05E-08	2,68E-07	9,42E-08	8,25E-13	1,94E-04	1,24E-05
	Use	2,40E-02	2,37E-02	2,44E-04	7,82E-05	5,40E-13	5,19E-05	5,07E-08	1,24E-05	1,39E-04	3,09E-05	4,92E-09	4,83E-01	5,94E-03
	End of Life	4,61E-04	3,89E-04	6,85E-05	3,70E-06	7,20E-17	5,90E-07	2,77E-09	2,52E-07	2,54E-06	5,58E-07	2,41E-11	4,67E-03	4,52E-06
	Module D	-6,84E-02	-6,92E-02	1,92E-03	-1,11E-03	-3,40E-13	-8,70E-04	-4,61E-07	-1,23E-04	-1,32E-03	-3,68E-04	-3,53E-05	-9,16E-01	-4,88E-02
2485870000	Total*	4,73E-01	4,66E-01	5,55E-03	1,32E-03	1,53E-11	2,00E-03	1,01E-06	2,72E-04	3,00E-03	7,70E-04	5,80E-05	8,05E+00	1,13E-01
	Manufacturing	2,03E-01	2,00E-01	2,58E-03	4,17E-04	9,31E-12	1,42E-03	4,31E-07	1,32E-04	1,43E-03	4,23E-04	5,79E-05	2,65E+00	4,75E-02
	Distribution	2,90E-03	2,93E-03	-6,50E-05	3,02E-05	4,87E-16	4,54E-06	7,91E-09	1,85E-06	1,96E-05	4,05E-06	1,95E-10	3,76E-02	1,34E-05
	Installation	2,02E-04	1,44E-05	1,87E-04	7,74E-08	2,55E-17	6,48E-08	6,37E-10	3,05E-08	2,68E-07	9,42E-08	8,25E-13	1,94E-04	1,24E-05
	Use	2,66E-01	2,62E-01	2,70E-03	8,65E-04	5,97E-12	5,74E-04	5,61E-07	1,38E-04	1,54E-03	3,42E-04	5,45E-08	5,35E+00	6,57E-02
	End of Life	9,92E-04	8,37E-04	1,47E-04	7,97E-06	1,55E-16	1,27E-06	5,96E-09	5,43E-07	5,46E-06	1,20E-06	5,19E-11	1,01E-02	9,73E-06
	Module D	-1,17E-01	-1,18E-01	2,04E-03	-1,40E-03	-4,95E-13	-1,16E-03	-6,13E-07	-1,79E-04	-1,91E-03	-5,46E-04	-4,44E-05	1,68E+00	-6,52E-02
2675800000	Total*	4,68E-01	4,61E-01	5,64E-03	1,27E-03	1,51E-11	1,91E-03	1,02E-06	2,69E-04	2,97E-03	7,56E-04	5,46E-05	7,95E+00	1,10E-01
	Manufacturing	1,99E-01	1,96E-01	2,68E-03	3,72E-04	9,08E-12	1,33E-03	4,47E-07	1,29E-04	1,40E-03	4,09E-04	5,46E-05	2,55E+00	4,39E-02
	Distribution	2,62E-03	2,65E-03	-5,87E-05	2,73E-05	4,40E-16	4,10E-06	7,15E-09	1,67E-06	1,78E-05	3,66E-06	1,76E-10	3,40E-02	1,21E-05
	Installation	2,02E-04	1,44E-05	1,87E-04	7,74E-08	2,55E-17	6,48E-08	6,37E-10	3,05E-08	2,68E-07	9,42E-08	8,25E-13	1,94E-04	1,24E-05
	Use	2,66E-01	2,62E-01	2,70E-03	8,65E-04	5,97E-12	5,74E-04	5,61E-07	1,38E-04	1,54E-03	3,42E-04	5,45E-08	5,35E+00	6,57E-02
	End of Life	8,89E-04	7,50E-04	1,32E-04	7,14E-06	1,39E-16	1,14E-06	5,34E-09	4,86E-07	4,90E-06	1,08E-06	4,65E-11	9,01E-03	8,72E-06
	Module D	-1,14E-01	-1,14E-01	2,05E-03	-1,33E-03	-4,77E-13	-1,10E-03	-5,84E-07	-1,72E-04	-1,84E-03	-5,25E-04	-4,19E-05	1,65E+00	-6,20E-02
2485920000	Total*	3,73E-01	3,66E-01	5,39E-03	1,04E-03	9,40E-12	1,04E-03	8,69E-07	2,05E-04	2,28E-03	5,25E-04	1,72E-05	6,69E+00	8,10E-02
	Manufacturing	1,05E-01	1,02E-01	2,42E-03	1,57E-04	3,43E-12	4,59E-04	3,01E-07	6,57E-05	7,23E-04	1,81E-04	1,72E-05	1,32E+00	1,53E-02
	Distribution	1,33E-03	1,35E-03	-2,99E-05	1,39E-05	2,24E-16	2,09E-06	3,64E-09	8,51E-07	9,03E-06	1,86E-06	8,98E-11	1,73E-02	6,17E-06
	Installation	2,73E-04	1,96E-05	2,54E-04	1,05E-07	3,46E-17	8,79E-08	8,63E-10	4,14E-08	3,63E-07	1,28E-07	1,12E-12	2,63E-04	1,68E-05
	Use	2,66E-01	2,62E-01	2,70E-03	8,65E-04	5,97E-12	5,74E-04	5,61E-07	1,38E-04	1,54E-03	3,42E-04	5,45E-08	5,35E+00	6,57E-02
	End of Life	3,81E-04	3,22E-04	5,67E-05	3,06E-06	5,96E-17	4,88E-07	2,29E-09	2,09E-07	2,10E-06	4,61E-07	1,99E-11	3,86E-03	3,74E-06
	Module D	-3,45E-02	-3,59E-02	1,89E-03	-4,64E-04	-1,64E-13	-3,75E-04	-2,10E-07	-5,70E-05	-6,09E-04	-1,72E-04	-1,46E-05	-5,01E-01	-2,12E-02
2485930000	Total*	3,72E-01	3,66E-01	5,39E-03	1,04E-03	9,40E-12	1,04E-03	8,68E-07	2,04E-04	2,28E-03	5,25E-04	1,72E-05	6,69E+00	8,10E-02
	Manufacturing	1,05E-01	1,02E-01	2,42E-03	1,56E-04	3,43E-12	4,58E-04	3,01E-07	6,56E-05	7,22E-04	1,81E-04	1,72E-05	1,32E+00	1,52E-02

	Distribution	1,33E-03	1,35E-03	-2,99E-05	1,39E-05	2,24E-16	2,09E-06	3,64E-09	8,51E-07	9,03E-06	1,86E-06	8,98E-11	1,73E-02	6,17E-06
	Installation	2,73E-04	1,96E-05	2,54E-04	1,05E-07	3,46E-17	8,79E-08	8,63E-10	4,14E-08	3,63E-07	1,28E-07	1,12E-12	2,63E-04	1,68E-05
	Use	2,66E-01	2,62E-01	2,70E-03	8,65E-04	5,97E-12	5,74E-04	5,61E-07	1,38E-04	1,54E-03	3,42E-04	5,45E-08	5,35E+00	6,57E-02
	End of Life	3,81E-04	3,22E-04	5,67E-05	3,06E-06	5,96E-17	4,88E-07	2,29E-09	2,09E-07	2,10E-06	4,61E-07	1,99E-11	3,86E-03	3,74E-06
	Module D	-3,45E-02	-3,59E-02	1,89E-03	-4,64E-04	-1,64E-13	-3,75E-04	-2,10E-07	-5,70E-05	-6,09E-04	-1,72E-04	-1,46E-05	-5,01E-01	-2,12E-02
2675810000	Total*	3,68E-01	3,62E-01	5,44E-03	1,02E-03	8,93E-12	9,61E-04	8,61E-07	2,00E-04	2,23E-03	5,11E-04	1,38E-05	6,65E+00	7,84E-02
	Manufacturing	1,01E-01	9,84E-02	2,47E-03	1,36E-04	2,95E-12	3,85E-04	2,95E-07	6,18E-05	6,80E-04	1,67E-04	1,38E-05	1,28E+00	1,27E-02
	Distribution	1,06E-03	1,07E-03	-2,37E-05	1,10E-05	1,77E-16	1,65E-06	2,88E-09	6,74E-07	7,16E-06	1,47E-06	7,11E-11	1,37E-02	4,89E-06
	Installation	2,73E-04	1,96E-05	2,54E-04	1,05E-07	3,46E-17	8,79E-08	8,63E-10	4,14E-08	3,63E-07	1,28E-07	1,12E-12	2,63E-04	1,68E-05
	Use	2,66E-01	2,62E-01	2,70E-03	8,65E-04	5,97E-12	5,74E-04	5,61E-07	1,38E-04	1,54E-03	3,42E-04	5,45E-08	5,35E+00	6,57E-02
	End of Life	2,78E-04	2,35E-04	4,14E-05	2,24E-06	4,35E-17	3,56E-07	1,67E-09	1,52E-07	1,53E-06	3,37E-07	1,46E-11	2,82E-03	2,73E-06
	Module D	-3,13E-02	-3,28E-02	1,84E-03	-3,86E-04	-1,44E-13	-3,18E-04	-1,80E-07	-4,98E-05	-5,31E-04	-1,50E-04	-1,20E-05	-4,67E-01	-1,79E-02
2482170000	Total*	1,55E+00	1,53E+00	1,48E-02	4,96E-03	3,44E-11	3,37E-03	3,27E-06	8,04E-04	9,00E-03	2,01E-03	3,36E-06	3,10E+01	3,79E-01
	Manufacturing	4,23E-02	4,29E-02	-6,66E-04	4,70E-05	5,89E-13	1,16E-04	8,82E-08	2,31E-05	2,46E-04	7,50E-05	3,05E-06	6,75E-01	6,05E-03
	Distribution	1,07E-03	1,08E-03	-2,40E-05	1,11E-05	1,80E-16	1,67E-06	2,92E-09	6,82E-07	7,24E-06	1,49E-06	7,20E-11	1,39E-02	4,95E-06
	Installation	1,99E-04	1,42E-05	1,84E-04	7,63E-08	2,52E-17	6,39E-08	6,27E-10	3,01E-08	2,64E-07	9,28E-08	8,13E-13	1,91E-04	1,22E-05
	Use	1,51E+00	1,49E+00	1,53E-02	4,90E-03	3,38E-11	3,25E-03	3,18E-06	7,80E-04	8,75E-03	1,94E-03	3,09E-07	3,03E+01	3,72E-01
	End of Life	3,14E-04	2,65E-04	4,67E-05	2,52E-06	4,91E-17	4,02E-07	1,89E-09	1,72E-07	1,73E-06	3,80E-07	1,64E-11	3,18E-03	3,08E-06
	Module D	-2,93E-02	-3,04E-02	1,27E-03	-9,37E-05	-7,98E-14	-1,18E-04	-7,49E-08	-3,01E-05	-3,14E-04	-9,64E-05	-2,57E-06	-5,08E-01	-6,93E-03
2675680000	Total*	1,55E+00	1,53E+00	1,48E-02	4,97E-03	3,44E-11	3,37E-03	3,27E-06	8,05E-04	9,01E-03	2,02E-03	3,36E-06	3,10E+01	3,79E-01
	Manufacturing	4,34E-02	4,40E-02	-6,63E-04	4,74E-05	5,93E-13	1,17E-04	8,98E-08	2,35E-05	2,50E-04	7,68E-05	3,05E-06	6,94E-01	6,06E-03
	Distribution	1,06E-03	1,08E-03	-2,38E-05	1,11E-05	1,79E-16	1,67E-06	2,90E-09	6,79E-07	7,20E-06	1,48E-06	7,16E-11	1,38E-02	4,92E-06
	Installation	1,99E-04	1,42E-05	1,84E-04	7,63E-08	2,52E-17	6,39E-08	6,27E-10	3,01E-08	2,64E-07	9,28E-08	8,13E-13	1,91E-04	1,22E-05
	Use	1,51E+00	1,49E+00	1,53E-02	4,90E-03	3,38E-11	3,25E-03	3,18E-06	7,80E-04	8,75E-03	1,94E-03	3,09E-07	3,03E+01	3,72E-01
	End of Life	3,12E-04	2,63E-04	4,64E-05	2,51E-06	4,88E-17	3,99E-07	1,88E-09	1,71E-07	1,72E-06	3,78E-07	1,63E-11	3,16E-03	3,06E-06
	Module D	-2,97E-02	-3,09E-02	1,27E-03	-9,35E-05	-8,07E-14	-1,19E-04	-7,53E-08	-3,04E-05	-3,17E-04	-9,75E-05	-2,56E-06	-5,15E-01	-6,97E-03
2675690000	Total*	1,55E+00	1,53E+00	1,48E-02	4,97E-03	3,44E-11	3,37E-03	3,27E-06	8,05E-04	9,01E-03	2,02E-03	3,36E-06	3,10E+01	3,79E-01
	Manufacturing	4,36E-02	4,42E-02	-6,63E-04	4,75E-05	5,94E-13	1,18E-04	9,01E-08	2,36E-05	2,51E-04	7,71E-05	3,05E-06	6,98E-01	6,06E-03
	Distribution	1,07E-03	1,08E-03	-2,40E-05	1,11E-05	1,80E-16	1,67E-06	2,92E-09	6,82E-07	7,24E-06	1,49E-06	7,20E-11	1,39E-02	4,95E-06
	Installation	1,99E-04	1,42E-05	1,84E-04	7,63E-08	2,52E-17	6,39E-08	6,27E-10	3,01E-08	2,64E-07	9,28E-08	8,13E-13	1,91E-04	1,22E-05
	Use	1,51E+00	1,49E+00	1,53E-02	4,90E-03	3,38E-11	3,25E-03	3,18E-06	7,80E-04	8,75E-03	1,94E-03	3,09E-07	3,03E+01	3,72E-01
	End of Life	3,14E-04	2,65E-04	4,67E-05	2,52E-06	4,91E-17	4,02E-07	1,89E-09	1,72E-07	1,73E-06	3,80E-07	1,64E-11	3,18E-03	3,08E-06
	Module D	-2,99E-02	-3,10E-02	1,27E-03	-9,35E-05	-8,11E-14	-1,19E-04	-7,55E-08	-3,05E-05	-3,19E-04	-9,80E-05	-2,56E-06	-5,18E-01	-6,99E-03
2482180000 2762010000	Total*	1,56E+00	1,54E+00	1,51E-02	4,98E-03	3,48E-11	3,43E-03	3,29E-06	8,10E-04	9,06E-03	2,03E-03	5,70E-06	3,11E+01	3,80E-01
	Manufacturing	5,07E-02	5,10E-02	-3,24E-04	6,21E-05	9,57E-13	1,74E-04	1,02E-07	2,81E-05	3,01E-04	9,22E-05	5,40E-06	7,85E-01	7,82E-03
	Distribution	1,22E-03	1,24E-03	-2,74E-05	1,27E-05	2,05E-16	1,91E-06	3,34E-09	7,80E-07	8,28E-06	1,71E-06	8,23E-11	1,59E-02	5,66E-06
	Installation	1,69E-04	1,21E-05	1,57E-04	6,49E-08	2,14E-17	5,44E-08	5,34E-10	2,56E-08	2,24E-07	7,90E-08	6,92E-13	1,63E-04	1,04E-05
	Use	1,51E+00	1,49E+00	1,53E-02	4,90E-03	3,38E-11	3,25E-03	3,18E-06	7,80E-04	8,75E-03	1,94E-03	3,09E-07	3,03E+01	3,72E-01

	End of Life	3,84E-04	3,23E-04	5,70E-05	3,08E-06	5,99E-17	4,91E-07	2,30E-09	2,10E-07	2,11E-06	4,64E-07	2,01E-11	3,89E-03	3,76E-06
	Module D	-3,52E-02	-3,62E-02	1,12E-03	-1,49E-04	-1,01E-13	-1,67E-04	-9,84E-08	-3,80E-05	-3,99E-04	-1,21E-04	-4,34E-06	-5,93E-01	-9,79E-03
2482190000	Total*	1,56E+00	1,54E+00	1,51E-02	4,98E-03	3,48E-11	3,43E-03	3,29E-06	8,10E-04	9,06E-03	2,03E-03	5,70E-06	3,11E+01	3,80E-01
	Manufacturing	5,09E-02	5,11E-02	-3,24E-04	6,22E-05	9,58E-13	1,74E-04	1,02E-07	2,82E-05	3,01E-04	9,25E-05	5,40E-06	7,88E-01	7,83E-03
	Distribution	1,23E-03	1,24E-03	-2,75E-05	1,28E-05	2,06E-16	1,92E-06	3,35E-09	7,84E-07	8,32E-06	1,71E-06	8,27E-11	1,59E-02	5,68E-06
	Installation	1,69E-04	1,21E-05	1,57E-04	6,49E-08	2,14E-17	5,44E-08	5,34E-10	2,56E-08	2,24E-07	7,90E-08	6,92E-13	1,63E-04	1,04E-05
	Use	1,51E+00	1,49E+00	1,53E-02	4,90E-03	3,38E-11	3,25E-03	3,18E-06	7,80E-04	8,75E-03	1,94E-03	3,09E-07	3,03E+01	3,72E-01
	End of Life	3,86E-04	3,25E-04	5,73E-05	3,10E-06	6,02E-17	4,93E-07	2,32E-09	2,11E-07	2,12E-06	4,67E-07	2,02E-11	3,91E-03	3,78E-06
	Module D	-3,54E-02	-3,64E-02	1,12E-03	-1,49E-04	-1,01E-13	-1,68E-04	-9,86E-08	-3,82E-05	-4,01E-04	-1,22E-04	-4,34E-06	-5,96E-01	-9,81E-03
2675710000	Total*	1,56E+00	1,54E+00	1,51E-02	4,98E-03	3,48E-11	3,43E-03	3,29E-06	8,10E-04	9,06E-03	2,03E-03	5,70E-06	3,11E+01	3,80E-01
	Manufacturing	5,20E-02	5,23E-02	-3,21E-04	6,26E-05	9,62E-13	1,75E-04	1,04E-07	2,87E-05	3,06E-04	9,43E-05	5,40E-06	8,07E-01	7,84E-03
	Distribution	1,22E-03	1,24E-03	-2,74E-05	1,27E-05	2,05E-16	1,91E-06	3,34E-09	7,80E-07	8,28E-06	1,71E-06	8,23E-11	1,59E-02	5,66E-06
	Installation	1,69E-04	1,21E-05	1,57E-04	6,49E-08	2,14E-17	5,44E-08	5,34E-10	2,56E-08	2,24E-07	7,90E-08	6,92E-13	1,63E-04	1,04E-05
	Use	1,51E+00	1,49E+00	1,53E-02	4,90E-03	3,38E-11	3,25E-03	3,18E-06	7,80E-04	8,75E-03	1,94E-03	3,09E-07	3,03E+01	3,72E-01
	End of Life	3,84E-04	3,23E-04	5,70E-05	3,08E-06	5,99E-17	4,91E-07	2,30E-09	2,10E-07	2,11E-06	4,64E-07	2,01E-11	3,89E-03	3,76E-06
	Module D	-3,58E-02	-3,68E-02	1,12E-03	-1,49E-04	-1,02E-13	-1,68E-04	-9,90E-08	-3,85E-05	-4,04E-04	-1,23E-04	-4,32E-06	-6,04E-01	-9,84E-03
2675720000	Total*	1,56E+00	1,54E+00	1,51E-02	4,98E-03	3,48E-11	3,43E-03	3,29E-06	8,10E-04	9,06E-03	2,03E-03	5,70E-06	3,11E+01	3,80E-01
	Manufacturing	5,22E-02	5,24E-02	-3,20E-04	6,27E-05	9,63E-13	1,76E-04	1,04E-07	2,87E-05	3,07E-04	9,46E-05	5,40E-06	8,10E-01	7,84E-03
	Distribution	1,23E-03	1,24E-03	-2,75E-05	1,28E-05	2,06E-16	1,92E-06	3,35E-09	7,84E-07	8,32E-06	1,71E-06	8,27E-11	1,59E-02	5,68E-06
	Installation	1,69E-04	1,21E-05	1,57E-04	6,49E-08	2,14E-17	5,44E-08	5,34E-10	2,56E-08	2,24E-07	7,90E-08	6,92E-13	1,63E-04	1,04E-05
	Use	1,51E+00	1,49E+00	1,53E-02	4,90E-03	3,38E-11	3,25E-03	3,18E-06	7,80E-04	8,75E-03	1,94E-03	3,09E-07	3,03E+01	3,72E-01
	End of Life	3,86E-04	3,25E-04	5,73E-05	3,10E-06	6,02E-17	4,93E-07	2,32E-09	2,11E-07	2,12E-06	4,67E-07	2,02E-11	3,91E-03	3,78E-06
	Module D	-3,60E-02	-3,70E-02	1,12E-03	-1,49E-04	-1,03E-13	-1,69E-04	-9,92E-08	-3,86E-05	-4,05E-04	-1,23E-04	-4,32E-06	-6,07E-01	-9,86E-03
2482200000	Total*	1,70E+00	1,68E+00	1,88E-02	5,33E-03	3,80E-11	3,75E-03	3,64E-06	8,87E-04	9,92E-03	2,22E-03	9,23E-06	3,36E+01	4,04E-01
	Manufacturing	1,07E-01	1,05E-01	2,40E-03	1,17E-04	2,15E-12	2,98E-04	2,72E-07	5,91E-05	6,43E-04	1,71E-04	8,90E-06	1,50E+00	9,63E-03
	Distribution	1,60E-03	1,62E-03	-3,59E-05	1,67E-05	2,69E-16	2,51E-06	4,37E-09	1,02E-06	1,09E-05	2,24E-06	1,08E-10	2,08E-02	7,42E-06
	Installation	2,08E-04	1,49E-05	1,93E-04	8,00E-08	2,64E-17	6,70E-08	6,58E-10	3,16E-08	2,77E-07	9,73E-08	8,53E-13	2,00E-04	1,28E-05
	Use	1,59E+00	1,57E+00	1,62E-02	5,19E-03	3,58E-11	3,45E-03	3,36E-06	8,26E-04	9,26E-03	2,05E-03	3,27E-07	3,21E+01	3,94E-01
	End of Life	5,08E-04	4,29E-04	7,56E-05	4,08E-06	7,94E-17	6,50E-07	3,05E-09	2,78E-07	2,80E-06	6,15E-07	2,66E-11	5,15E-03	4,98E-06
	Module D	-4,93E-02	-5,04E-02	1,38E-03	-2,74E-04	-1,58E-13	-2,77E-04	-1,58E-07	-5,68E-05	-5,99E-04	-1,79E-04	-8,25E-06	-8,08E-01	-1,60E-02
2482210000	Total*	1,70E+00	1,68E+00	1,88E-02	5,33E-03	3,80E-11	3,75E-03	3,64E-06	8,87E-04	9,92E-03	2,23E-03	9,23E-06	3,36E+01	4,04E-01
	Manufacturing	1,07E-01	1,05E-01	2,40E-03	1,17E-04	2,15E-12	2,98E-04	2,73E-07	5,92E-05	6,44E-04	1,71E-04	8,90E-06	1,50E+00	9,64E-03
	Distribution	1,61E-03	1,63E-03	-3,60E-05	1,68E-05	2,70E-16	2,52E-06	4,39E-09	1,03E-06	1,09E-05	2,24E-06	1,08E-10	2,09E-02	7,44E-06
	Installation	2,08E-04	1,49E-05	1,93E-04	8,00E-08	2,64E-17	6,70E-08	6,58E-10	3,16E-08	2,77E-07	9,73E-08	8,53E-13	2,00E-04	1,28E-05
	Use	1,59E+00	1,57E+00	1,62E-02	5,19E-03	3,58E-11	3,45E-03	3,36E-06	8,26E-04	9,26E-03	2,05E-03	3,27E-07	3,21E+01	3,94E-01
	End of Life	5,10E-04	4,30E-04	7,59E-05	4,10E-06	7,98E-17	6,53E-07	3,07E-09	2,79E-07	2,81E-06	6,18E-07	2,67E-11	5,17E-03	5,00E-06
	Module D	-4,95E-02	-5,06E-02	1,38E-03	-2,75E-04	-1,58E-13	-2,77E-04	-1,58E-07	-5,70E-05	-6,01E-04	-1,80E-04	-8,25E-06	-8,12E-01	-1,60E-02
2675740000	Total*	1,71E+00	1,68E+00	1,88E-02	5,33E-03	3,80E-11	3,75E-03	3,65E-06	8,87E-04	9,92E-03	2,23E-03	9,23E-06	3,37E+01	4,04E-01

	Manufacturing	1,08E-01	1,06E-01	2,40E-03	1,17E-04	2,15E-12	3,00E-04	2,74E-07	5,96E-05	6,49E-04	1,73E-04	8,90E-06	1,52E+00	9,65E-03
	Distribution	1,60E-03	1,62E-03	-3,59E-05	1,67E-05	2,69E-16	2,51E-06	4,37E-09	1,02E-06	1,09E-05	2,24E-06	1,08E-10	2,08E-02	7,42E-06
	Installation	2,08E-04	1,49E-05	1,93E-04	8,00E-08	2,64E-17	6,70E-08	6,58E-10	3,16E-08	2,77E-07	9,73E-08	8,53E-13	2,00E-04	1,28E-05
	Use	1,59E+00	1,57E+00	1,62E-02	5,19E-03	3,58E-11	3,45E-03	3,36E-06	8,26E-04	9,26E-03	2,05E-03	3,27E-07	3,21E+01	3,94E-01
	End of Life	5,08E-04	4,29E-04	7,56E-05	4,08E-06	7,94E-17	6,50E-07	3,05E-09	2,78E-07	2,80E-06	6,15E-07	2,66E-11	5,15E-03	4,98E-06
	Module D	-5,00E-02	-5,11E-02	1,38E-03	-2,74E-04	-1,59E-13	-2,78E-04	-1,59E-07	-5,73E-05	-6,04E-04	-1,81E-04	-8,22E-06	-8,20E-01	-1,60E-02
2675750000	Total*	1,71E+00	1,68E+00	1,88E-02	5,33E-03	3,80E-11	3,75E-03	3,65E-06	8,87E-04	9,93E-03	2,23E-03	9,23E-06	3,37E+01	4,04E-01
	Manufacturing	1,09E-01	1,06E-01	2,40E-03	1,17E-04	2,15E-12	3,00E-04	2,75E-07	5,97E-05	6,50E-04	1,73E-04	8,90E-06	1,53E+00	9,65E-03
	Distribution	1,61E-03	1,63E-03	-3,60E-05	1,68E-05	2,70E-16	2,52E-06	4,39E-09	1,03E-06	1,09E-05	2,24E-06	1,08E-10	2,09E-02	7,44E-06
	Installation	2,08E-04	1,49E-05	1,93E-04	8,00E-08	2,64E-17	6,70E-08	6,58E-10	3,16E-08	2,77E-07	9,73E-08	8,53E-13	2,00E-04	1,28E-05
	Use	1,59E+00	1,57E+00	1,62E-02	5,19E-03	3,58E-11	3,45E-03	3,36E-06	8,26E-04	9,26E-03	2,05E-03	3,27E-07	3,21E+01	3,94E-01
	End of Life	5,10E-04	4,30E-04	7,59E-05	4,10E-06	7,98E-17	6,53E-07	3,07E-09	2,79E-07	2,81E-06	6,18E-07	2,67E-11	5,17E-03	5,00E-06
	Module D	-5,02E-02	-5,13E-02	1,38E-03	-2,74E-04	-1,60E-13	-2,78E-04	-1,59E-07	-5,74E-05	-6,05E-04	-1,81E-04	-8,22E-06	-8,23E-01	-1,60E-02
2898120000	Total*	1,80E+00	1,77E+00	2,59E-02	5,37E-03	3,99E-11	3,88E-03	3,98E-06	9,39E-04	1,05E-02	2,34E-03	1,25E-05	3,47E+01	4,03E-01
	Manufacturing	2,04E-01	1,95E-01	9,55E-03	1,58E-04	4,03E-12	4,27E-04	6,02E-07	1,11E-04	1,23E-03	2,91E-04	1,22E-05	2,61E+00	8,44E-03
	Distribution	1,83E-03	1,85E-03	-4,10E-05	1,91E-05	3,07E-16	2,86E-06	4,99E-09	1,17E-06	1,24E-05	2,55E-06	1,23E-10	2,37E-02	8,47E-06
	Installation	1,33E-04	9,52E-06	1,24E-04	5,11E-08	1,69E-17	4,28E-08	4,20E-10	2,02E-08	1,77E-07	6,22E-08	5,45E-13	1,28E-04	8,20E-06
	Use	1,59E+00	1,57E+00	1,62E-02	5,19E-03	3,58E-11	3,45E-03	3,36E-06	8,26E-04	9,26E-03	2,05E-03	3,27E-07	3,21E+01	3,94E-01
	End of Life	6,24E-04	5,26E-04	9,27E-05	5,01E-06	9,75E-17	7,98E-07	3,75E-09	3,41E-07	3,44E-06	7,55E-07	3,26E-11	6,32E-03	6,12E-06
	Module D	-6,27E-02	-6,31E-02	8,79E-04	-4,40E-04	-2,27E-13	-4,10E-04	-2,24E-07	-7,64E-05	-8,10E-04	-2,39E-04	-1,36E-05	-9,86E-01	-2,32E-02
2898130000	Total*	1,80E+00	1,77E+00	2,59E-02	5,37E-03	3,99E-11	3,88E-03	3,98E-06	9,39E-04	1,05E-02	2,34E-03	1,25E-05	3,48E+01	4,03E-01
	Manufacturing	2,04E-01	1,95E-01	9,55E-03	1,58E-04	4,04E-12	4,27E-04	6,02E-07	1,11E-04	1,23E-03	2,91E-04	1,22E-05	2,62E+00	8,45E-03
	Distribution	1,83E-03	1,86E-03	-4,11E-05	1,91E-05	3,08E-16	2,87E-06	5,01E-09	1,17E-06	1,24E-05	2,56E-06	1,24E-10	2,38E-02	8,49E-06
	Installation	1,33E-04	9,52E-06	1,24E-04	5,11E-08	1,69E-17	4,28E-08	4,20E-10	2,02E-08	1,77E-07	6,22E-08	5,45E-13	1,28E-04	8,20E-06
	Use	1,59E+00	1,57E+00	1,62E-02	5,19E-03	3,58E-11	3,45E-03	3,36E-06	8,26E-04	9,26E-03	2,05E-03	3,27E-07	3,21E+01	3,94E-01
	End of Life	6,26E-04	5,28E-04	9,30E-05	5,03E-06	9,78E-17	8,01E-07	3,76E-09	3,42E-07	3,45E-06	7,57E-07	3,27E-11	6,34E-03	6,14E-06
	Module D	-6,29E-02	-6,33E-02	8,79E-04	-4,40E-04	-2,27E-13	-4,10E-04	-2,24E-07	-7,66E-05	-8,11E-04	-2,40E-04	-1,36E-05	-9,89E-01	-2,33E-02
2482220000	Total*	1,34E-01	1,34E-01	-3,86E-04	3,93E-04	6,95E-12	1,09E-03	2,39E-07	9,05E-05	9,82E-04	2,98E-04	4,38E-05	1,93E+00	4,39E-02
	Manufacturing	1,08E-01	1,08E-01	-8,18E-04	2,92E-04	6,41E-12	1,03E-03	1,80E-07	7,66E-05	8,27E-04	2,64E-04	4,38E-05	1,42E+00	3,79E-02
	Distribution	1,69E-03	1,71E-03	-3,80E-05	1,77E-05	2,85E-16	2,66E-06	4,63E-09	1,08E-06	1,15E-05	2,37E-06	1,14E-10	2,20E-02	7,85E-06
	Installation	1,53E-04	1,10E-05	1,42E-04	5,89E-08	1,94E-17	4,93E-08	4,84E-10	2,32E-08	2,04E-07	7,17E-08	6,28E-13	1,47E-04	9,44E-06
	Use	2,40E-02	2,37E-02	2,44E-04	7,82E-05	5,40E-13	5,19E-05	5,07E-08	1,24E-05	1,39E-04	3,09E-05	4,92E-09	4,83E-01	5,94E-03
	End of Life	5,66E-04	4,77E-04	8,41E-05	4,54E-06	8,84E-17	7,24E-07	3,40E-09	3,09E-07	3,12E-06	6,85E-07	2,96E-11	5,73E-03	5,55E-06
	Module D	-7,72E-02	-7,77E-02	1,58E-03	-1,02E-03	-3,40E-13	-8,28E-04	-4,38E-07	-1,24E-04	-1,33E-03	-3,77E-04	-3,24E-05	1,09E+00	-4,65E-02
2675700000	Total*	1,62E+00	1,60E+00	1,47E-02	5,20E-03	4,05E-11	4,28E-03	3,39E-06	8,60E-04	9,61E-03	2,21E-03	4,41E-05	3,17E+01	4,09E-01
	Manufacturing	1,09E-01	1,09E-01	-7,51E-04	2,69E-04	6,65E-12	1,03E-03	2,03E-07	7,80E-05	8,45E-04	2,66E-04	4,38E-05	1,39E+00	3,69E-02
	Distribution	1,69E-03	1,71E-03	-3,80E-05	1,77E-05	2,85E-16	2,66E-06	4,63E-09	1,08E-06	1,15E-05	2,37E-06	1,14E-10	2,20E-02	7,85E-06
	Installation	1,53E-04	1,10E-05	1,42E-04	5,89E-08	1,94E-17	4,93E-08	4,84E-10	2,32E-08	2,04E-07	7,17E-08	6,28E-13	1,47E-04	9,44E-06

	Use	1,51E+00	1,49E+00	1,53E-02	4,90E-03	3,38E-11	3,25E-03	3,18E-06	7,80E-04	8,75E-03	1,94E-03	3,09E-07	3,03E+01	3,72E-01
	End of Life	5,66E-04	4,77E-04	8,41E-05	4,54E-06	8,84E-17	7,24E-07	3,40E-09	3,09E-07	3,12E-06	6,85E-07	2,96E-11	5,73E-03	5,55E-06
	Module D	-7,79E-02	-7,85E-02	1,61E-03	-1,02E-03	-3,42E-13	-8,28E-04	-4,39E-07	-1,25E-04	-1,34E-03	-3,79E-04	-3,24E-05	1,10E+00	-4,66E-02
2482230000	Total*	1,42E-01	1,42E-01	-5,55E-04	4,13E-04	7,32E-12	1,15E-03	2,59E-07	9,59E-05	1,04E-03	3,16E-04	4,62E-05	2,04E+00	4,57E-02
	Manufacturing	1,15E-01	1,16E-01	-1,03E-03	3,09E-04	6,78E-12	1,09E-03	1,99E-07	8,19E-05	8,84E-04	2,81E-04	4,62E-05	1,52E+00	3,97E-02
	Distribution	1,95E-03	1,97E-03	-4,36E-05	2,03E-05	3,27E-16	3,05E-06	5,31E-09	1,24E-06	1,32E-05	2,72E-06	1,31E-10	2,53E-02	9,01E-06
	Installation	1,99E-04	1,42E-05	1,84E-04	7,63E-08	2,52E-17	6,39E-08	6,27E-10	3,01E-08	2,64E-07	9,28E-08	8,13E-13	1,91E-04	1,22E-05
	Use	2,40E-02	2,37E-02	2,44E-04	7,82E-05	5,40E-13	5,19E-05	5,07E-08	1,24E-05	1,39E-04	3,09E-05	4,92E-09	4,83E-01	5,94E-03
	End of Life	6,40E-04	5,40E-04	9,52E-05	5,14E-06	1,00E-16	8,19E-07	3,85E-09	3,50E-07	3,53E-06	7,75E-07	3,35E-11	6,49E-03	6,28E-06
	Module D	-8,23E-02	-8,31E-02	1,90E-03	-1,08E-03	-3,61E-13	-8,76E-04	-4,66E-07	-1,32E-04	-1,41E-03	-4,01E-04	-3,42E-05	1,17E+00	-4,94E-02
2675730000	Total*	1,62E+00	1,61E+00	1,45E-02	5,22E-03	4,09E-11	4,34E-03	3,41E-06	8,65E-04	9,66E-03	2,22E-03	4,65E-05	3,18E+01	4,11E-01
	Manufacturing	1,16E-01	1,17E-01	-9,71E-04	2,86E-04	7,02E-12	1,08E-03	2,21E-07	8,32E-05	9,00E-04	2,83E-04	4,62E-05	1,49E+00	3,87E-02
	Distribution	1,95E-03	1,97E-03	-4,36E-05	2,03E-05	3,27E-16	3,05E-06	5,31E-09	1,24E-06	1,32E-05	2,72E-06	1,31E-10	2,53E-02	9,01E-06
	Installation	1,99E-04	1,42E-05	1,84E-04	7,63E-08	2,52E-17	6,39E-08	6,27E-10	3,01E-08	2,64E-07	9,28E-08	8,13E-13	1,91E-04	1,22E-05
	Use	1,51E+00	1,49E+00	1,53E-02	4,90E-03	3,38E-11	3,25E-03	3,18E-06	7,80E-04	8,75E-03	1,94E-03	3,09E-07	3,03E+01	3,72E-01
	End of Life	6,40E-04	5,40E-04	9,52E-05	5,14E-06	1,00E-16	8,19E-07	3,85E-09	3,50E-07	3,53E-06	7,75E-07	3,35E-11	6,49E-03	6,28E-06
	Module D	-8,31E-02	-8,39E-02	1,93E-03	-1,08E-03	-3,63E-13	-8,77E-04	-4,66E-07	-1,33E-04	-1,42E-03	-4,03E-04	-3,41E-05	1,18E+00	-4,94E-02
2482240000	Total*	1,99E-01	1,96E-01	2,85E-03	4,65E-04	8,51E-12	1,27E-03	4,23E-07	1,26E-04	1,38E-03	3,94E-04	4,97E-05	2,76E+00	4,74E-02
	Manufacturing	1,72E-01	1,69E-01	2,41E-03	3,59E-04	7,97E-12	1,21E-03	3,62E-07	1,12E-04	1,22E-03	3,59E-04	4,97E-05	2,24E+00	4,15E-02
	Distribution	2,17E-03	2,19E-03	-4,86E-05	2,26E-05	3,64E-16	3,39E-06	5,92E-09	1,38E-06	1,47E-05	3,03E-06	1,46E-10	2,81E-02	1,00E-05
	Installation	1,40E-04	1,01E-05	1,30E-04	5,40E-08	1,78E-17	4,52E-08	4,44E-10	2,13E-08	1,87E-07	6,57E-08	5,75E-13	1,35E-04	8,65E-06
	Use	2,40E-02	2,37E-02	2,44E-04	7,82E-05	5,40E-13	5,19E-05	5,07E-08	1,24E-05	1,39E-04	3,09E-05	4,92E-09	4,83E-01	5,94E-03
	End of Life	7,46E-04	6,29E-04	1,11E-04	6,00E-06	1,17E-16	9,55E-07	4,48E-09	4,08E-07	4,11E-06	9,03E-07	3,90E-11	7,56E-03	7,32E-06
	Module D	-9,73E-02	-9,76E-02	1,55E-03	-1,20E-03	-4,18E-13	-9,86E-04	-5,20E-07	-1,51E-04	-1,61E-03	-4,60E-04	-3,81E-05	1,39E+00	-5,56E-02
2675760000	Total*	1,77E+00	1,75E+00	1,88E-02	5,56E-03	4,41E-11	4,66E-03	3,76E-06	9,42E-04	1,05E-02	2,42E-03	5,00E-05	3,43E+01	4,35E-01
	Manufacturing	1,73E-01	1,70E-01	2,47E-03	3,34E-04	8,22E-12	1,21E-03	3,85E-07	1,14E-04	1,24E-03	3,61E-04	4,97E-05	2,20E+00	4,04E-02
	Distribution	2,17E-03	2,19E-03	-4,86E-05	2,26E-05	3,64E-16	3,39E-06	5,92E-09	1,38E-06	1,47E-05	3,03E-06	1,46E-10	2,81E-02	1,00E-05
	Installation	1,40E-04	1,01E-05	1,30E-04	5,40E-08	1,78E-17	4,52E-08	4,44E-10	2,13E-08	1,87E-07	6,57E-08	5,75E-13	1,35E-04	8,65E-06
	Use	1,59E+00	1,57E+00	1,62E-02	5,19E-03	3,58E-11	3,45E-03	3,36E-06	8,26E-04	9,26E-03	2,05E-03	3,27E-07	3,21E+01	3,94E-01
	End of Life	7,46E-04	6,29E-04	1,11E-04	6,00E-06	1,17E-16	9,55E-07	4,48E-09	4,08E-07	4,11E-06	9,03E-07	3,90E-11	7,56E-03	7,32E-06
	Module D	-9,81E-02	-9,85E-02	1,60E-03	-1,20E-03	-4,20E-13	-9,86E-04	-5,21E-07	-1,51E-04	-1,62E-03	-4,62E-04	-3,80E-05	1,40E+00	-5,56E-02
2898140000	Total*	1,84E+00	1,81E+00	2,54E-02	5,51E-03	4,38E-11	4,47E-03	4,05E-06	9,74E-04	1,09E-02	2,47E-03	3,97E-05	3,52E+01	4,23E-01
	Manufacturing	2,44E-01	2,34E-01	9,04E-03	2,85E-04	7,97E-12	1,02E-03	6,71E-07	1,46E-04	1,61E-03	4,12E-04	3,93E-05	3,03E+00	2,87E-02
	Distribution	2,52E-03	2,55E-03	-5,66E-05	2,63E-05	4,24E-16	3,96E-06	6,89E-09	1,61E-06	1,71E-05	3,53E-06	1,70E-10	3,28E-02	1,17E-05
	Installation	1,60E-04	1,14E-05	1,48E-04	6,14E-08	2,02E-17	5,14E-08	5,05E-10	2,42E-08	2,12E-07	7,47E-08	6,54E-13	1,54E-04	9,84E-06
	Use	1,59E+00	1,57E+00	1,62E-02	5,19E-03	3,58E-11	3,45E-03	3,36E-06	8,26E-04	9,26E-03	2,05E-03	3,27E-07	3,21E+01	3,94E-01
	End of Life	8,71E-04	7,35E-04	1,30E-04	7,00E-06	1,36E-16	1,11E-06	5,24E-09	4,77E-07	4,80E-06	1,05E-06	4,56E-11	8,83E-03	8,54E-06
	Module D	-9,48E-02	-9,52E-02	1,48E-03	-1,06E-03	-4,03E-13	-8,83E-04	-4,70E-07	-1,40E-04	-1,49E-03	-4,28E-04	-3,34E-05	1,38E+00	-4,97E-02

1548060000	Total*	1,83E+00	1,81E+00	1,91E-02	5,70E-03	4,03E-11	4,03E-03	3,86E-06	9,49E-04	1,06E-02	2,40E-03	9,76E-06	3,62E+01	4,32E-01
	Manufacturing	1,26E-01	1,24E-01	1,61E-03	1,22E-04	2,07E-12	3,45E-04	2,63E-07	6,49E-05	6,97E-04	2,09E-04	9,41E-06	1,91E+00	1,11E-02
	Distribution	2,60E-03	2,64E-03	-5,84E-05	2,72E-05	4,38E-16	4,08E-06	7,11E-09	1,66E-06	1,77E-05	3,64E-06	1,76E-10	3,38E-02	1,21E-05
	Installation	2,03E-04	1,46E-05	1,89E-04	7,82E-08	2,58E-17	6,54E-08	6,43E-10	3,08E-08	2,70E-07	9,51E-08	8,33E-13	1,96E-04	1,25E-05
	Use	1,70E+00	1,68E+00	1,72E-02	5,54E-03	3,82E-11	3,68E-03	3,59E-06	8,81E-04	9,88E-03	2,19E-03	3,49E-07	3,42E+01	4,21E-01
	End of Life	8,83E-04	7,45E-04	1,31E-04	7,10E-06	1,38E-16	1,13E-06	5,31E-09	4,83E-07	4,86E-06	1,07E-06	4,62E-11	8,95E-03	8,66E-06
	Module D	-8,20E-02	-8,31E-02	1,38E-03	-2,85E-04	-2,22E-13	-3,49E-04	-1,97E-07	-8,36E-05	-8,77E-04	-2,69E-04	-8,19E-06	1,38E+00	-2,07E-02
1548070000	Total*	1,83E+00	1,81E+00	1,91E-02	5,70E-03	4,03E-11	4,03E-03	3,87E-06	9,49E-04	1,06E-02	2,40E-03	9,76E-06	3,62E+01	4,32E-01
	Manufacturing	1,26E-01	1,24E-01	1,61E-03	1,22E-04	2,08E-12	3,45E-04	2,64E-07	6,51E-05	6,99E-04	2,10E-04	9,41E-06	1,92E+00	1,11E-02
	Distribution	2,62E-03	2,65E-03	-5,88E-05	2,73E-05	4,41E-16	4,11E-06	7,16E-09	1,67E-06	1,78E-05	3,66E-06	1,77E-10	3,40E-02	1,21E-05
	Installation	2,03E-04	1,46E-05	1,89E-04	7,82E-08	2,58E-17	6,54E-08	6,43E-10	3,08E-08	2,70E-07	9,51E-08	8,33E-13	1,96E-04	1,25E-05
	Use	1,70E+00	1,68E+00	1,72E-02	5,54E-03	3,82E-11	3,68E-03	3,59E-06	8,81E-04	9,88E-03	2,19E-03	3,49E-07	3,42E+01	4,21E-01
	End of Life	8,89E-04	7,50E-04	1,32E-04	7,15E-06	1,39E-16	1,14E-06	5,34E-09	4,86E-07	4,90E-06	1,08E-06	4,65E-11	9,01E-03	8,72E-06
	Module D	-8,26E-02	-8,37E-02	1,38E-03	-2,85E-04	-2,23E-13	-3,50E-04	-1,97E-07	-8,40E-05	-8,81E-04	-2,71E-04	-8,19E-06	1,39E+00	-2,08E-02
2675910000	Total*	1,83E+00	1,81E+00	1,91E-02	5,67E-03	4,05E-11	4,02E-03	3,89E-06	9,50E-04	1,06E-02	2,40E-03	9,76E-06	3,62E+01	4,31E-01
	Manufacturing	1,28E-01	1,26E-01	1,60E-03	9,42E-05	2,30E-12	3,39E-04	2,85E-07	6,64E-05	7,16E-04	2,12E-04	9,41E-06	1,90E+00	1,02E-02
	Distribution	2,60E-03	2,64E-03	-5,84E-05	2,72E-05	4,38E-16	4,08E-06	7,11E-09	1,66E-06	1,77E-05	3,64E-06	1,76E-10	3,38E-02	1,21E-05
	Installation	2,03E-04	1,46E-05	1,89E-04	7,82E-08	2,58E-17	6,54E-08	6,43E-10	3,08E-08	2,70E-07	9,51E-08	8,33E-13	1,96E-04	1,25E-05
	Use	1,70E+00	1,68E+00	1,72E-02	5,54E-03	3,82E-11	3,68E-03	3,59E-06	8,81E-04	9,88E-03	2,19E-03	3,49E-07	3,42E+01	4,21E-01
	End of Life	8,83E-04	7,45E-04	1,31E-04	7,10E-06	1,38E-16	1,13E-06	5,31E-09	4,83E-07	4,86E-06	1,07E-06	4,62E-11	8,95E-03	8,66E-06
	Module D	-8,32E-02	-8,43E-02	1,46E-03	-2,85E-04	-2,26E-13	-3,51E-04	-1,99E-07	-8,45E-05	-8,86E-04	-2,72E-04	-8,16E-06	1,40E+00	-2,08E-02
2675920000	Total*	1,83E+00	1,81E+00	1,91E-02	5,67E-03	4,05E-11	4,02E-03	3,89E-06	9,50E-04	1,06E-02	2,41E-03	9,76E-06	3,62E+01	4,31E-01
	Manufacturing	1,28E-01	1,26E-01	1,60E-03	9,43E-05	2,30E-12	3,39E-04	2,86E-07	6,67E-05	7,18E-04	2,13E-04	9,41E-06	1,91E+00	1,02E-02
	Distribution	2,62E-03	2,65E-03	-5,88E-05	2,73E-05	4,41E-16	4,11E-06	7,16E-09	1,67E-06	1,78E-05	3,66E-06	1,77E-10	3,40E-02	1,21E-05
	Installation	2,03E-04	1,46E-05	1,89E-04	7,82E-08	2,58E-17	6,54E-08	6,43E-10	3,08E-08	2,70E-07	9,51E-08	8,33E-13	1,96E-04	1,25E-05
	Use	1,70E+00	1,68E+00	1,72E-02	5,54E-03	3,82E-11	3,68E-03	3,59E-06	8,81E-04	9,88E-03	2,19E-03	3,49E-07	3,42E+01	4,21E-01
	End of Life	8,89E-04	7,50E-04	1,32E-04	7,15E-06	1,39E-16	1,14E-06	5,34E-09	4,86E-07	4,90E-06	1,08E-06	4,65E-11	9,01E-03	8,72E-06
	Module D	-8,37E-02	-8,49E-02	1,47E-03	-2,85E-04	-2,28E-13	-3,52E-04	-1,99E-07	-8,49E-05	-8,91E-04	-2,74E-04	-8,16E-06	1,41E+00	-2,09E-02
1548130000	Total*	2,62E-01	2,60E-01	1,83E-03	6,30E-04	9,36E-12	1,41E-03	5,18E-07	1,56E-04	1,70E-03	4,92E-04	5,02E-05	4,05E+00	5,91E-02
	Manufacturing	1,93E-01	1,92E-01	8,57E-04	3,74E-04	7,92E-12	1,27E-03	3,65E-07	1,20E-04	1,30E-03	4,03E-04	5,02E-05	2,70E+00	4,32E-02
	Distribution	3,57E-03	3,61E-03	-8,01E-05	3,72E-05	6,01E-16	5,60E-06	9,76E-09	2,28E-06	2,42E-05	4,99E-06	2,41E-10	4,64E-02	1,65E-05
	Installation	2,42E-04	1,73E-05	2,25E-04	9,30E-08	3,07E-17	7,79E-08	7,65E-10	3,67E-08	3,22E-07	1,13E-07	9,92E-13	2,33E-04	1,49E-05
	Use	6,40E-02	6,32E-02	6,49E-04	2,09E-04	1,44E-12	1,38E-04	1,35E-07	3,32E-05	3,72E-04	8,24E-05	1,31E-08	1,29E+00	1,58E-02
	End of Life	1,23E-03	1,03E-03	1,82E-04	9,85E-06	1,92E-16	1,57E-06	7,37E-09	6,71E-07	6,75E-06	1,48E-06	6,42E-11	1,24E-02	1,20E-05
	Module D	-1,31E-01	-1,32E-01	2,22E-03	-1,22E-03	-4,87E-13	-1,06E-03	-5,67E-07	-1,80E-04	-1,91E-03	-5,55E-04	-3,80E-05	1,99E+00	-6,06E-02
2675930000	Total*	2,64E-01	2,62E-01	1,91E-03	5,78E-04	9,77E-12	1,40E-03	5,58E-07	1,59E-04	1,73E-03	4,95E-04	5,02E-05	4,00E+00	5,73E-02
	Manufacturing	1,95E-01	1,94E-01	9,34E-04	3,22E-04	8,33E-12	1,26E-03	4,05E-07	1,22E-04	1,33E-03	4,06E-04	5,02E-05	2,65E+00	4,14E-02
	Distribution	3,57E-03	3,61E-03	-8,01E-05	3,72E-05	6,01E-16	5,60E-06	9,76E-09	2,28E-06	2,42E-05	4,99E-06	2,41E-10	4,64E-02	1,65E-05

	Installation	2,42E-04	1,73E-05	2,25E-04	9,30E-08	3,07E-17	7,79E-08	7,65E-10	3,67E-08	3,22E-07	1,13E-07	9,92E-13	2,33E-04	1,49E-05
	Use	6,40E-02	6,32E-02	6,49E-04	2,09E-04	1,44E-12	1,38E-04	1,35E-07	3,32E-05	3,72E-04	8,24E-05	1,31E-08	1,29E+00	1,58E-02
	End of Life	1,23E-03	1,03E-03	1,82E-04	9,85E-06	1,92E-16	1,57E-06	7,37E-09	6,71E-07	6,75E-06	1,48E-06	6,42E-11	1,24E-02	1,20E-05
	Module D	-1,33E-01	-1,34E-01	2,30E-03	-1,21E-03	-4,91E-13	-1,06E-03	-5,69E-07	-1,81E-04	-1,92E-03	-5,58E-04	-3,79E-05	-	-6,07E-02
1548160000	Total*	3,13E-01	3,07E-01	4,53E-03	6,88E-04	1,10E-11	1,60E-03	6,75E-07	1,87E-04	2,04E-03	5,71E-04	5,75E-05	4,63E+00	6,31E-02
	Manufacturing	2,43E-01	2,39E-01	3,55E-03	4,29E-04	9,55E-12	1,46E-03	5,20E-07	1,50E-04	1,63E-03	4,82E-04	5,75E-05	3,28E+00	4,73E-02
	Distribution	3,85E-03	3,89E-03	-8,63E-05	4,01E-05	6,47E-16	6,03E-06	1,05E-08	2,46E-06	2,61E-05	5,37E-06	2,59E-10	4,99E-02	1,78E-05
	Installation	2,42E-04	1,73E-05	2,25E-04	9,30E-08	3,07E-17	7,79E-08	7,65E-10	3,67E-08	3,22E-07	1,13E-07	9,92E-13	2,33E-04	1,49E-05
	Use	6,40E-02	6,32E-02	6,49E-04	2,09E-04	1,44E-12	1,38E-04	1,35E-07	3,32E-05	3,72E-04	8,24E-05	1,31E-08	1,29E+00	1,58E-02
	End of Life	1,33E-03	1,12E-03	1,97E-04	1,07E-05	2,08E-16	1,70E-06	7,98E-09	7,27E-07	7,32E-06	1,61E-06	6,95E-11	1,35E-02	1,30E-05
	Module D	-1,44E-01	-1,45E-01	2,29E-03	-1,42E-03	-5,54E-13	-1,22E-03	-6,50E-07	-2,02E-04	-2,15E-03	-6,23E-04	-4,46E-05	-	-6,95E-02
2675940000	Total*	3,14E-01	3,09E-01	4,57E-03	6,44E-04	1,13E-11	1,59E-03	7,03E-07	1,88E-04	2,06E-03	5,73E-04	5,75E-05	4,59E+00	6,19E-02
	Manufacturing	2,45E-01	2,41E-01	3,58E-03	3,84E-04	9,85E-12	1,45E-03	5,48E-07	1,52E-04	1,65E-03	4,84E-04	5,75E-05	3,24E+00	4,60E-02
	Distribution	3,85E-03	3,89E-03	-8,63E-05	4,01E-05	6,47E-16	6,03E-06	1,05E-08	2,46E-06	2,61E-05	5,37E-06	2,59E-10	4,99E-02	1,78E-05
	Installation	2,42E-04	1,73E-05	2,25E-04	9,30E-08	3,07E-17	7,79E-08	7,65E-10	3,67E-08	3,22E-07	1,13E-07	9,92E-13	2,33E-04	1,49E-05
	Use	6,40E-02	6,32E-02	6,49E-04	2,09E-04	1,44E-12	1,38E-04	1,35E-07	3,32E-05	3,72E-04	8,24E-05	1,31E-08	1,29E+00	1,58E-02
	End of Life	1,33E-03	1,12E-03	1,97E-04	1,07E-05	2,08E-16	1,70E-06	7,98E-09	7,27E-07	7,32E-06	1,61E-06	6,95E-11	1,35E-02	1,30E-05
	Module D	-1,45E-01	-1,46E-01	2,37E-03	-1,42E-03	-5,59E-13	-1,22E-03	-6,52E-07	-2,03E-04	-2,16E-03	-6,26E-04	-4,45E-05	-	-6,96E-02
1548140000	Total*	5,75E-01	5,64E-01	1,01E-02	1,44E-03	1,26E-11	1,40E-03	1,30E-06	3,04E-04	3,37E-03	8,03E-04	1,89E-05	1,02E+01	1,07E-01
	Manufacturing	2,07E-01	2,00E-01	6,13E-03	2,14E-04	4,45E-12	6,08E-04	5,15E-07	1,12E-04	1,23E-03	3,29E-04	1,88E-05	2,86E+00	1,66E-02
	Distribution	2,97E-03	3,00E-03	-6,66E-05	3,10E-05	4,99E-16	4,65E-06	8,11E-09	1,90E-06	2,01E-05	4,15E-06	2,00E-10	3,85E-02	1,38E-05
	Installation	2,03E-04	1,46E-05	1,89E-04	7,82E-08	2,58E-17	6,54E-08	6,43E-10	3,08E-08	2,70E-07	9,51E-08	8,33E-13	1,96E-04	1,25E-05
	Use	3,64E-01	3,60E-01	3,70E-03	1,19E-03	8,19E-12	7,88E-04	7,69E-07	1,89E-04	2,12E-03	4,69E-04	7,48E-08	7,34E+00	9,01E-02
	End of Life	1,02E-03	8,59E-04	1,51E-04	8,18E-06	1,59E-16	1,30E-06	6,12E-09	5,57E-07	5,61E-06	1,23E-06	5,33E-11	1,03E-02	9,99E-06
	Module D	-9,79E-02	-9,88E-02	1,47E-03	-5,64E-04	-3,12E-13	-5,64E-04	-3,08E-07	-1,13E-04	-1,19E-03	-3,56E-04	-1,71E-05	-	-3,27E-02
1548150000	Total*	5,76E-01	5,64E-01	1,01E-02	1,44E-03	1,26E-11	1,40E-03	1,30E-06	3,04E-04	3,37E-03	8,04E-04	1,89E-05	1,03E+01	1,07E-01
	Manufacturing	2,07E-01	2,01E-01	6,13E-03	2,14E-04	4,45E-12	6,08E-04	5,15E-07	1,13E-04	1,23E-03	3,30E-04	1,88E-05	2,87E+00	1,66E-02
	Distribution	2,99E-03	3,02E-03	-6,70E-05	3,11E-05	5,02E-16	4,68E-06	8,15E-09	1,91E-06	2,02E-05	4,17E-06	2,01E-10	3,88E-02	1,38E-05
	Installation	2,03E-04	1,46E-05	1,89E-04	7,82E-08	2,58E-17	6,54E-08	6,43E-10	3,08E-08	2,70E-07	9,51E-08	8,33E-13	1,96E-04	1,25E-05
	Use	3,64E-01	3,60E-01	3,70E-03	1,19E-03	8,19E-12	7,88E-04	7,69E-07	1,89E-04	2,12E-03	4,69E-04	7,48E-08	7,34E+00	9,01E-02
	End of Life	1,02E-03	8,64E-04	1,52E-04	8,23E-06	1,60E-16	1,31E-06	6,16E-09	5,60E-07	5,64E-06	1,24E-06	5,36E-11	1,04E-02	1,00E-05
	Module D	-9,84E-02	-9,93E-02	1,47E-03	-5,64E-04	-3,13E-13	-5,65E-04	-3,08E-07	-1,13E-04	-1,20E-03	-3,58E-04	-1,71E-05	-	-3,28E-02
2675950000	Total*	5,77E-01	5,66E-01	1,01E-02	1,41E-03	1,29E-11	1,39E-03	1,32E-06	3,05E-04	3,39E-03	8,06E-04	1,89E-05	1,02E+01	1,06E-01
	Manufacturing	2,09E-01	2,02E-01	6,13E-03	1,81E-04	4,69E-12	6,01E-04	5,37E-07	1,14E-04	1,24E-03	3,32E-04	1,88E-05	2,84E+00	1,56E-02
	Distribution	2,97E-03	3,00E-03	-6,66E-05	3,10E-05	4,99E-16	4,65E-06	8,11E-09	1,90E-06	2,01E-05	4,15E-06	2,00E-10	3,85E-02	1,38E-05
	Installation	2,03E-04	1,46E-05	1,89E-04	7,82E-08	2,58E-17	6,54E-08	6,43E-10	3,08E-08	2,70E-07	9,51E-08	8,33E-13	1,96E-04	1,25E-05
	Use	3,64E-01	3,60E-01	3,70E-03	1,19E-03	8,19E-12	7,88E-04	7,69E-07	1,89E-04	2,12E-03	4,69E-04	7,48E-08	7,34E+00	9,01E-02
	End of Life	1,02E-03	8,59E-04	1,51E-04	8,18E-06	1,59E-16	1,30E-06	6,12E-09	5,57E-07	5,61E-06	1,23E-06	5,33E-11	1,03E-02	9,99E-06

	Module D	-9,91E-02	-1,00E-01	1,55E-03	-5,63E-04	-3,16E-13	-5,66E-04	-3,09E-07	-1,14E-04	-1,20E-03	-3,59E-04	-1,71E-05	1,60E+00	-3,28E-02
1513970000	Total*	1,16E+00	1,14E+00	1,16E-02	3,64E-03	2,55E-11	2,53E-03	2,44E-06	6,00E-04	6,71E-03	1,52E-03	4,62E-06	2,30E+01	2,78E-01
	Manufacturing	6,26E-02	6,21E-02	3,86E-04	6,33E-05	9,01E-13	1,67E-04	1,22E-07	3,25E-05	3,47E-04	1,07E-04	4,40E-06	9,73E-01	7,09E-03
	Distribution	1,38E-03	1,39E-03	-3,09E-05	1,44E-05	2,32E-16	2,16E-06	3,76E-09	8,80E-07	9,34E-06	1,92E-06	9,28E-11	1,79E-02	6,38E-06
	Installation	1,21E-04	8,64E-06	1,12E-04	4,64E-08	1,53E-17	3,89E-08	3,82E-10	1,83E-08	1,61E-07	5,65E-08	4,95E-13	1,16E-04	7,44E-06
	Use	1,09E+00	1,08E+00	1,11E-02	3,56E-03	2,46E-11	2,36E-03	2,31E-06	5,67E-04	6,35E-03	1,41E-03	2,24E-07	2,20E+01	2,70E-01
	End of Life	4,61E-04	3,89E-04	6,86E-05	3,71E-06	7,21E-17	5,90E-07	2,77E-09	2,52E-07	2,54E-06	5,58E-07	2,41E-11	4,68E-03	4,53E-06
	Module D	-4,34E-02	-4,41E-02	8,09E-04	-1,33E-04	-1,14E-13	-1,73E-04	-9,91E-08	-4,33E-05	-4,53E-04	-1,40E-04	-3,76E-06	-7,35E-01	-1,03E-02
1513990000	Total*	1,16E+00	1,14E+00	1,16E-02	3,64E-03	2,55E-11	2,53E-03	2,44E-06	6,00E-04	6,71E-03	1,52E-03	4,62E-06	2,30E+01	2,78E-01
	Manufacturing	6,28E-02	6,23E-02	3,89E-04	6,26E-05	9,01E-13	1,67E-04	1,22E-07	3,25E-05	3,47E-04	1,07E-04	4,40E-06	9,77E-01	7,09E-03
	Distribution	1,39E-03	1,40E-03	-3,11E-05	1,44E-05	2,33E-16	2,17E-06	3,78E-09	8,85E-07	9,39E-06	1,94E-06	9,33E-11	1,80E-02	6,42E-06
	Installation	1,21E-04	8,64E-06	1,12E-04	4,64E-08	1,53E-17	3,89E-08	3,82E-10	1,83E-08	1,61E-07	5,65E-08	4,95E-13	1,16E-04	7,44E-06
	Use	1,09E+00	1,08E+00	1,11E-02	3,56E-03	2,46E-11	2,36E-03	2,31E-06	5,67E-04	6,35E-03	1,41E-03	2,24E-07	2,20E+01	2,70E-01
	End of Life	4,65E-04	3,92E-04	6,91E-05	3,73E-06	7,26E-17	5,94E-07	2,79E-09	2,54E-07	2,56E-06	5,62E-07	2,43E-11	4,71E-03	4,55E-06
	Module D	-4,37E-02	-4,44E-02	8,09E-04	-1,34E-04	-1,15E-13	-1,74E-04	-9,94E-08	-4,35E-05	-4,55E-04	-1,41E-04	-3,76E-06	-7,40E-01	-1,04E-02
2675820000	Total*	1,16E+00	1,14E+00	1,16E-02	3,64E-03	2,56E-11	2,53E-03	2,45E-06	6,01E-04	6,72E-03	1,52E-03	4,62E-06	2,30E+01	2,77E-01
	Manufacturing	6,47E-02	6,42E-02	3,73E-04	6,26E-05	9,99E-13	1,66E-04	1,32E-07	3,35E-05	3,59E-04	1,10E-04	4,40E-06	9,91E-01	6,73E-03
	Distribution	1,38E-03	1,39E-03	-3,09E-05	1,44E-05	2,32E-16	2,16E-06	3,76E-09	8,80E-07	9,34E-06	1,92E-06	9,28E-11	1,79E-02	6,38E-06
	Installation	1,21E-04	8,64E-06	1,12E-04	4,64E-08	1,53E-17	3,89E-08	3,82E-10	1,83E-08	1,61E-07	5,65E-08	4,95E-13	1,16E-04	7,44E-06
	Use	1,09E+00	1,08E+00	1,11E-02	3,56E-03	2,46E-11	2,36E-03	2,31E-06	5,67E-04	6,35E-03	1,41E-03	2,24E-07	2,20E+01	2,70E-01
	End of Life	4,61E-04	3,89E-04	6,86E-05	3,71E-06	7,21E-17	5,90E-07	2,77E-09	2,52E-07	2,54E-06	5,58E-07	2,41E-11	4,68E-03	4,53E-06
	Module D	-4,45E-02	-4,52E-02	8,56E-04	-1,33E-04	-1,17E-13	-1,75E-04	-1,01E-07	-4,41E-05	-4,62E-04	-1,43E-04	-3,74E-06	-7,55E-01	-1,04E-02
2675830000	Total*	1,16E+00	1,14E+00	1,16E-02	3,64E-03	2,56E-11	2,53E-03	2,45E-06	6,01E-04	6,72E-03	1,52E-03	4,62E-06	2,30E+01	2,77E-01
	Manufacturing	6,49E-02	6,44E-02	3,75E-04	6,07E-05	1,00E-12	1,66E-04	1,33E-07	3,36E-05	3,60E-04	1,10E-04	4,40E-06	9,94E-01	6,73E-03
	Distribution	1,39E-03	1,40E-03	-3,11E-05	1,44E-05	2,33E-16	2,17E-06	3,78E-09	8,85E-07	9,39E-06	1,94E-06	9,33E-11	1,80E-02	6,42E-06
	Installation	1,21E-04	8,64E-06	1,12E-04	4,64E-08	1,53E-17	3,89E-08	3,82E-10	1,83E-08	1,61E-07	5,65E-08	4,95E-13	1,16E-04	7,44E-06
	Use	1,09E+00	1,08E+00	1,11E-02	3,56E-03	2,46E-11	2,36E-03	2,31E-06	5,67E-04	6,35E-03	1,41E-03	2,24E-07	2,20E+01	2,70E-01
	End of Life	4,65E-04	3,92E-04	6,91E-05	3,73E-06	7,26E-17	5,94E-07	2,79E-09	2,54E-07	2,56E-06	5,62E-07	2,43E-11	4,71E-03	4,55E-06
	Module D	-4,48E-02	-4,55E-02	8,56E-04	-1,33E-04	-1,18E-13	-1,76E-04	-1,01E-07	-4,44E-05	-4,64E-04	-1,43E-04	-3,74E-06	-7,60E-01	-1,05E-02
1514000000	Total*	3,48E+00	3,44E+00	3,53E-02	1,12E-02	7,79E-11	7,61E-03	7,34E-06	1,81E-03	2,02E-02	4,52E-03	8,38E-06	6,97E+01	8,51E-01
	Manufacturing	7,83E-02	7,75E-02	6,63E-04	8,79E-05	1,43E-12	2,56E-04	1,51E-07	4,16E-05	4,45E-04	1,38E-04	7,68E-06	1,20E+00	9,67E-03
	Distribution	1,76E-03	1,78E-03	-3,94E-05	1,83E-05	2,95E-16	2,75E-06	4,80E-09	1,12E-06	1,19E-05	2,46E-06	1,18E-10	2,28E-02	8,14E-06
	Installation	1,14E-04	8,19E-06	1,06E-04	4,40E-08	1,45E-17	3,68E-08	3,61E-10	1,73E-08	1,52E-07	5,35E-08	4,68E-13	1,10E-04	7,05E-06
	Use	3,40E+00	3,36E+00	3,45E-02	1,11E-02	7,65E-11	7,35E-03	7,18E-06	1,76E-03	1,98E-02	4,37E-03	6,98E-07	6,85E+01	8,41E-01
	End of Life	6,05E-04	5,11E-04	9,00E-05	4,86E-06	9,46E-17	7,75E-07	3,64E-09	3,31E-07	3,33E-06	7,33E-07	3,17E-11	6,14E-03	5,94E-06
	Module D	-5,52E-02	-5,58E-02	8,25E-04	-2,15E-04	-1,51E-13	-2,52E-04	-1,39E-07	-5,77E-05	-6,06E-04	-1,85E-04	-6,25E-06	-9,17E-01	-1,51E-02
1514020000	Total*	3,48E+00	3,44E+00	3,43E-02	1,12E-02	7,79E-11	7,61E-03	7,35E-06	1,81E-03	2,02E-02	4,52E-03	8,38E-06	6,97E+01	8,51E-01
	Manufacturing	7,79E-02	7,83E-02	-4,75E-04	9,40E-05	1,44E-12	2,58E-04	1,63E-07	4,27E-05	4,55E-04	1,40E-04	7,68E-06	1,21E+00	9,76E-03

	Distribution	1,93E-03	1,95E-03	-4,33E-05	2,01E-05	3,24E-16	3,02E-06	5,27E-09	1,23E-06	1,31E-05	2,70E-06	1,30E-10	2,51E-02	8,94E-06
	Installation	2,68E-04	1,92E-05	2,49E-04	1,03E-07	3,40E-17	8,62E-08	8,47E-10	4,06E-08	3,56E-07	1,25E-07	1,10E-12	2,58E-04	1,65E-05
	Use	3,40E+00	3,36E+00	3,45E-02	1,11E-02	7,65E-11	7,35E-03	7,18E-06	1,76E-03	1,98E-02	4,37E-03	6,98E-07	6,85E+01	8,41E-01
	End of Life	6,05E-04	5,11E-04	9,00E-05	4,86E-06	9,46E-17	7,75E-07	3,64E-09	3,31E-07	3,33E-06	7,33E-07	3,17E-11	6,14E-03	5,94E-06
	Module D	-5,48E-02	-5,63E-02	1,77E-03	-2,18E-04	-1,53E-13	-2,54E-04	-1,48E-07	-5,85E-05	-6,14E-04	-1,87E-04	-6,25E-06	-9,24E-01	-1,51E-02
2675850000	Total*	3,48E+00	3,44E+00	3,53E-02	1,12E-02	7,80E-11	7,61E-03	7,35E-06	1,81E-03	2,02E-02	4,52E-03	8,38E-06	6,97E+01	8,51E-01
	Manufacturing	8,02E-02	7,95E-02	6,48E-04	8,54E-05	1,54E-12	2,54E-04	1,61E-07	4,26E-05	4,57E-04	1,41E-04	7,68E-06	1,21E+00	9,26E-03
	Distribution	1,76E-03	1,78E-03	-3,94E-05	1,83E-05	2,95E-16	2,75E-06	4,80E-09	1,12E-06	1,19E-05	2,46E-06	1,18E-10	2,28E-02	8,14E-06
	Installation	1,14E-04	8,19E-06	1,06E-04	4,40E-08	1,45E-17	3,68E-08	3,61E-10	1,73E-08	1,52E-07	5,35E-08	4,68E-13	1,10E-04	7,05E-06
	Use	3,40E+00	3,36E+00	3,45E-02	1,11E-02	7,65E-11	7,35E-03	7,18E-06	1,76E-03	1,98E-02	4,37E-03	6,98E-07	6,85E+01	8,41E-01
	End of Life	6,05E-04	5,11E-04	9,00E-05	4,86E-06	9,46E-17	7,75E-07	3,64E-09	3,31E-07	3,33E-06	7,33E-07	3,17E-11	6,14E-03	5,94E-06
	Module D	-5,64E-02	-5,70E-02	8,78E-04	-2,14E-04	-1,55E-13	-2,54E-04	-1,40E-07	-5,86E-05	-6,15E-04	-1,88E-04	-6,22E-06	-9,38E-01	-1,52E-02
2675860000	Total*	3,48E+00	3,44E+00	3,43E-02	1,12E-02	7,80E-11	7,61E-03	7,36E-06	1,81E-03	2,02E-02	4,52E-03	8,38E-06	6,97E+01	8,51E-01
	Manufacturing	7,98E-02	8,02E-02	-4,98E-04	9,26E-05	1,55E-12	2,56E-04	1,73E-07	4,36E-05	4,67E-04	1,43E-04	7,68E-06	1,22E+00	9,34E-03
	Distribution	1,93E-03	1,95E-03	-4,33E-05	2,01E-05	3,24E-16	3,02E-06	5,27E-09	1,23E-06	1,31E-05	2,70E-06	1,30E-10	2,51E-02	8,94E-06
	Installation	2,68E-04	1,92E-05	2,49E-04	1,03E-07	3,40E-17	8,62E-08	8,47E-10	4,06E-08	3,56E-07	1,25E-07	1,10E-12	2,58E-04	1,65E-05
	Use	3,40E+00	3,36E+00	3,45E-02	1,11E-02	7,65E-11	7,35E-03	7,18E-06	1,76E-03	1,98E-02	4,37E-03	6,98E-07	6,85E+01	8,41E-01
	End of Life	6,05E-04	5,11E-04	9,00E-05	4,86E-06	9,46E-17	7,75E-07	3,64E-09	3,31E-07	3,33E-06	7,33E-07	3,17E-11	6,14E-03	5,94E-06
	Module D	-5,59E-02	-5,76E-02	1,83E-03	-2,18E-04	-1,57E-13	-2,55E-04	-1,50E-07	-5,94E-05	-6,23E-04	-1,90E-04	-6,22E-06	-9,45E-01	-1,52E-02
1514030000	Total*	3,45E+00	3,40E+00	3,86E-02	1,09E-02	7,71E-11	7,55E-03	7,37E-06	1,79E-03	2,01E-02	4,49E-03	1,42E-05	6,84E+01	8,24E-01
	Manufacturing	1,70E-01	1,65E-01	5,11E-03	1,71E-04	3,39E-12	4,57E-04	4,33E-07	9,22E-05	1,01E-03	2,66E-04	1,35E-05	2,35E+00	1,24E-02
	Distribution	2,45E-03	2,48E-03	-5,50E-05	2,56E-05	4,12E-16	3,84E-06	6,70E-09	1,57E-06	1,66E-05	3,43E-06	1,65E-10	3,18E-02	1,14E-05
	Installation	1,88E-04	1,35E-05	1,75E-04	7,23E-08	2,38E-17	6,05E-08	5,94E-10	2,85E-08	2,50E-07	8,79E-08	7,70E-13	1,81E-04	1,16E-05
	Use	3,28E+00	3,24E+00	3,33E-02	1,07E-02	7,37E-11	7,09E-03	6,92E-06	1,70E-03	1,91E-02	4,22E-03	6,73E-07	6,60E+01	8,11E-01
	End of Life	8,33E-04	7,02E-04	1,24E-04	6,69E-06	1,30E-16	1,07E-06	5,00E-09	4,56E-07	4,59E-06	1,01E-06	4,36E-11	8,44E-03	8,17E-06
	Module D	-7,85E-02	-7,94E-02	1,31E-03	-4,22E-04	-2,45E-13	-4,33E-04	-2,38E-07	-8,88E-05	-9,38E-04	-2,81E-04	-1,27E-05	1,27E+00	-2,53E-02
1514040000	Total*	3,46E+00	3,41E+00	3,86E-02	1,09E-02	7,71E-11	7,56E-03	7,37E-06	1,80E-03	2,01E-02	4,50E-03	1,42E-05	6,85E+01	8,24E-01
	Manufacturing	1,76E-01	1,71E-01	5,13E-03	1,75E-04	3,41E-12	4,64E-04	4,40E-07	9,44E-05	1,03E-03	2,75E-04	1,35E-05	2,45E+00	1,25E-02
	Distribution	2,62E-03	2,65E-03	-5,88E-05	2,73E-05	4,41E-16	4,11E-06	7,16E-09	1,67E-06	1,78E-05	3,66E-06	1,77E-10	3,40E-02	1,21E-05
	Installation	1,88E-04	1,35E-05	1,75E-04	7,23E-08	2,38E-17	6,05E-08	5,94E-10	2,85E-08	2,50E-07	8,79E-08	7,70E-13	1,81E-04	1,16E-05
	Use	3,28E+00	3,24E+00	3,33E-02	1,07E-02	7,37E-11	7,09E-03	6,92E-06	1,70E-03	1,91E-02	4,22E-03	6,73E-07	6,60E+01	8,11E-01
	End of Life	8,95E-04	7,55E-04	1,33E-04	7,19E-06	1,40E-16	1,15E-06	5,38E-09	4,90E-07	4,93E-06	1,08E-06	4,68E-11	9,08E-03	8,78E-06
	Module D	-8,43E-02	-8,52E-02	1,31E-03	-4,24E-04	-2,57E-13	-4,46E-04	-2,45E-07	-9,35E-05	-9,86E-04	-2,97E-04	-1,27E-05	1,37E+00	-2,60E-02
2675880000	Total*	3,46E+00	3,41E+00	3,86E-02	1,09E-02	7,73E-11	7,55E-03	7,38E-06	1,80E-03	2,01E-02	4,49E-03	1,42E-05	6,84E+01	8,23E-01
	Manufacturing	1,72E-01	1,67E-01	5,09E-03	1,68E-04	3,53E-12	4,54E-04	4,45E-07	9,31E-05	1,02E-03	2,69E-04	1,35E-05	2,36E+00	1,19E-02
	Distribution	2,45E-03	2,48E-03	-5,50E-05	2,56E-05	4,12E-16	3,84E-06	6,70E-09	1,57E-06	1,66E-05	3,43E-06	1,65E-10	3,18E-02	1,14E-05
	Installation	1,88E-04	1,35E-05	1,75E-04	7,23E-08	2,38E-17	6,05E-08	5,94E-10	2,85E-08	2,50E-07	8,79E-08	7,70E-13	1,81E-04	1,16E-05
	Use	3,28E+00	3,24E+00	3,33E-02	1,07E-02	7,37E-11	7,09E-03	6,92E-06	1,70E-03	1,91E-02	4,22E-03	6,73E-07	6,60E+01	8,11E-01

	End of Life	8,33E-04	7,02E-04	1,24E-04	6,69E-06	1,30E-16	1,07E-06	5,00E-09	4,56E-07	4,59E-06	1,01E-06	4,36E-11	8,44E-03	8,17E-06
	Module D	-7,97E-02	-8,07E-02	1,37E-03	-4,21E-04	-2,49E-13	-4,35E-04	-2,39E-07	-8,97E-05	-9,47E-04	-2,84E-04	-1,27E-05	1,30E+00	-2,54E-02
2675890000	Total*	3,46E+00	3,41E+00	3,87E-02	1,09E-02	7,71E-11	7,56E-03	7,38E-06	1,80E-03	2,01E-02	4,50E-03	1,42E-05	6,86E+01	8,24E-01
	Manufacturing	1,78E-01	1,73E-01	5,14E-03	1,76E-04	3,41E-12	4,67E-04	4,43E-07	9,54E-05	1,04E-03	2,79E-04	1,35E-05	2,49E+00	1,25E-02
	Distribution	2,62E-03	2,65E-03	-5,88E-05	2,73E-05	4,41E-16	4,11E-06	7,16E-09	1,67E-06	1,78E-05	3,66E-06	1,77E-10	3,40E-02	1,21E-05
	Installation	1,88E-04	1,35E-05	1,75E-04	7,23E-08	2,38E-17	6,05E-08	5,94E-10	2,85E-08	2,50E-07	8,79E-08	7,70E-13	1,81E-04	1,16E-05
	Use	3,28E+00	3,24E+00	3,33E-02	1,07E-02	7,37E-11	7,09E-03	6,92E-06	1,70E-03	1,91E-02	4,22E-03	6,73E-07	6,60E+01	8,11E-01
	End of Life	8,95E-04	7,55E-04	1,33E-04	7,19E-06	1,40E-16	1,15E-06	5,38E-09	4,90E-07	4,93E-06	1,08E-06	4,68E-11	9,08E-03	8,78E-06
	Module D	-8,54E-02	-8,63E-02	1,31E-03	-4,23E-04	-2,60E-13	-4,47E-04	-2,46E-07	-9,43E-05	-9,94E-04	-3,00E-04	-1,27E-05	1,39E+00	-2,61E-02
2898150000	Total*	2,34E+00	2,30E+00	3,34E-02	6,98E-03	5,16E-11	5,03E-03	5,16E-06	1,22E-03	1,36E-02	3,05E-03	1,61E-05	4,52E+01	5,21E-01
	Manufacturing	2,74E-01	2,61E-01	1,22E-02	2,13E-04	5,23E-12	5,63E-04	7,91E-07	1,48E-04	1,63E-03	3,92E-04	1,57E-05	3,57E+00	1,01E-02
	Distribution	2,87E-03	2,91E-03	-6,44E-05	3,00E-05	4,83E-16	4,50E-06	7,84E-09	1,83E-06	1,95E-05	4,01E-06	1,94E-10	3,73E-02	1,33E-05
	Installation	1,93E-04	1,38E-05	1,79E-04	7,41E-08	2,44E-17	6,20E-08	6,09E-10	2,92E-08	2,56E-07	9,01E-08	7,90E-13	1,85E-04	1,19E-05
	Use	2,07E+00	2,04E+00	2,09E-02	6,73E-03	4,64E-11	4,46E-03	4,36E-06	1,07E-03	1,20E-02	2,66E-03	4,24E-07	4,16E+01	5,11E-01
	End of Life	9,87E-04	8,32E-04	1,47E-04	7,93E-06	1,54E-16	1,26E-06	5,93E-09	5,40E-07	5,44E-06	1,19E-06	5,16E-11	1,00E-02	9,68E-06
	Module D	-9,24E-02	-9,31E-02	1,27E-03	-5,69E-04	-3,16E-13	-5,52E-04	-3,03E-07	-1,08E-04	-1,14E-03	-3,40E-04	-1,74E-05	1,48E+00	-3,14E-02
2898160000	Total*	2,34E+00	2,30E+00	3,34E-02	6,98E-03	5,16E-11	5,03E-03	5,16E-06	1,22E-03	1,36E-02	3,05E-03	1,61E-05	4,52E+01	5,21E-01
	Manufacturing	2,73E-01	2,61E-01	1,22E-02	2,12E-04	5,23E-12	5,63E-04	7,91E-07	1,47E-04	1,63E-03	3,91E-04	1,57E-05	3,56E+00	1,01E-02
	Distribution	2,86E-03	2,90E-03	-6,42E-05	2,98E-05	4,81E-16	4,49E-06	7,81E-09	1,83E-06	1,94E-05	4,00E-06	1,93E-10	3,71E-02	1,33E-05
	Installation	1,93E-04	1,38E-05	1,79E-04	7,41E-08	2,44E-17	6,20E-08	6,09E-10	2,92E-08	2,56E-07	9,01E-08	7,90E-13	1,85E-04	1,19E-05
	Use	2,07E+00	2,04E+00	2,09E-02	6,73E-03	4,64E-11	4,46E-03	4,36E-06	1,07E-03	1,20E-02	2,66E-03	4,24E-07	4,16E+01	5,11E-01
	End of Life	9,83E-04	8,29E-04	1,46E-04	7,90E-06	1,54E-16	1,26E-06	5,91E-09	5,38E-07	5,41E-06	1,19E-06	5,14E-11	9,96E-03	9,64E-06
	Module D	-9,20E-02	-9,27E-02	1,27E-03	-5,69E-04	-3,16E-13	-5,51E-04	-3,02E-07	-1,08E-04	-1,14E-03	-3,39E-04	-1,74E-05	1,47E+00	-3,13E-02
1513870000	Total*	1,95E-01	1,94E-01	8,98E-04	5,44E-04	8,17E-12	1,23E-03	3,62E-07	1,21E-04	1,32E-03	3,83E-04	4,52E-05	3,05E+00	5,48E-02
	Manufacturing	1,28E-01	1,28E-01	9,80E-05	3,08E-04	6,73E-12	1,09E-03	2,17E-07	8,64E-05	9,33E-04	2,97E-04	4,52E-05	1,73E+00	3,90E-02
	Distribution	2,04E-03	2,06E-03	-4,57E-05	2,12E-05	3,42E-16	3,19E-06	5,56E-09	1,30E-06	1,38E-05	2,84E-06	1,37E-10	2,64E-02	9,43E-06
	Installation	9,69E-05	6,93E-06	8,99E-05	3,72E-08	1,23E-17	3,12E-08	3,06E-10	1,47E-08	1,29E-07	4,53E-08	3,97E-13	9,32E-05	5,97E-06
	Use	6,40E-02	6,32E-02	6,49E-04	2,09E-04	1,44E-12	1,38E-04	1,35E-07	3,32E-05	3,72E-04	8,24E-05	1,31E-08	1,29E+00	1,58E-02
	End of Life	7,16E-04	6,04E-04	1,06E-04	5,75E-06	1,12E-16	9,16E-07	4,30E-09	3,92E-07	3,94E-06	8,66E-07	3,74E-11	7,26E-03	7,02E-06
	Module D	-9,20E-02	-9,22E-02	1,25E-03	-1,06E-03	-3,76E-13	-8,85E-04	-4,65E-07	-1,38E-04	-1,48E-03	-4,23E-04	-3,36E-05	1,33E+00	-5,01E-02
2675840000	Total*	1,98E-01	1,96E-01	9,61E-04	5,23E-04	8,44E-12	1,22E-03	3,89E-07	1,23E-04	1,35E-03	3,87E-04	4,52E-05	3,04E+00	5,37E-02
	Manufacturing	1,31E-01	1,30E-01	1,61E-04	2,88E-04	7,00E-12	1,08E-03	2,44E-07	8,83E-05	9,56E-04	3,01E-04	4,52E-05	1,71E+00	3,79E-02
	Distribution	2,04E-03	2,06E-03	-4,57E-05	2,12E-05	3,42E-16	3,19E-06	5,56E-09	1,30E-06	1,38E-05	2,84E-06	1,37E-10	2,64E-02	9,43E-06
	Installation	9,69E-05	6,93E-06	8,99E-05	3,72E-08	1,23E-17	3,12E-08	3,06E-10	1,47E-08	1,29E-07	4,53E-08	3,97E-13	9,32E-05	5,97E-06
	Use	6,40E-02	6,32E-02	6,49E-04	2,09E-04	1,44E-12	1,38E-04	1,35E-07	3,32E-05	3,72E-04	8,24E-05	1,31E-08	1,29E+00	1,58E-02
	End of Life	7,16E-04	6,04E-04	1,06E-04	5,75E-06	1,12E-16	9,16E-07	4,30E-09	3,92E-07	3,94E-06	8,66E-07	3,74E-11	7,26E-03	7,02E-06
	Module D	-9,33E-02	-9,35E-02	1,30E-03	-1,06E-03	-3,80E-13	-8,86E-04	-4,66E-07	-1,39E-04	-1,49E-03	-4,26E-04	-3,35E-05	1,36E+00	-5,01E-02
1513890000	Total*	2,11E-01	2,10E-01	1,02E-03	5,79E-04	8,70E-12	1,32E-03	3,95E-07	1,31E-04	1,43E-03	4,15E-04	4,85E-05	3,28E+00	5,74E-02

	Manufacturing	1,44E-01	1,43E-01	1,90E-04	3,35E-04	7,26E-12	1,17E-03	2,47E-07	9,55E-05	1,03E-03	3,28E-04	4,85E-05	1,94E+00	4,16E-02
	Distribution	2,64E-03	2,67E-03	-5,92E-05	2,75E-05	4,44E-16	4,14E-06	7,21E-09	1,69E-06	1,79E-05	3,69E-06	1,78E-10	3,43E-02	1,22E-05
	Installation	1,14E-04	8,19E-06	1,06E-04	4,40E-08	1,45E-17	3,68E-08	3,61E-10	1,73E-08	1,52E-07	5,35E-08	4,68E-13	1,10E-04	7,05E-06
	Use	6,40E-02	6,32E-02	6,49E-04	2,09E-04	1,44E-12	1,38E-04	1,35E-07	3,32E-05	3,72E-04	8,24E-05	1,31E-08	1,29E+00	1,58E-02
	End of Life	9,34E-04	7,87E-04	1,39E-04	7,50E-06	1,46E-16	1,19E-06	5,61E-09	5,11E-07	5,14E-06	1,13E-06	4,88E-11	9,46E-03	9,15E-06
	Module D	-1,03E-01	-1,03E-01	1,42E-03	-1,14E-03	-4,11E-13	-9,61E-04	-5,05E-07	-1,52E-04	-1,62E-03	-4,66E-04	-3,61E-05	-	1,50E+00
2675870000	Total*	3,55E+00	3,50E+00	3,49E-02	1,14E-02	8,40E-11	8,52E-03	7,46E-06	1,86E-03	2,08E-02	4,71E-03	4,92E-05	7,04E+01	8,82E-01
	Manufacturing	1,46E-01	1,45E-01	2,54E-04	3,12E-04	7,54E-12	1,17E-03	2,74E-07	9,72E-05	1,05E-03	3,31E-04	4,85E-05	1,92E+00	4,04E-02
	Distribution	2,64E-03	2,67E-03	-5,92E-05	2,75E-05	4,44E-16	4,14E-06	7,21E-09	1,69E-06	1,79E-05	3,69E-06	1,78E-10	3,43E-02	1,22E-05
	Installation	1,14E-04	8,19E-06	1,06E-04	4,40E-08	1,45E-17	3,68E-08	3,61E-10	1,73E-08	1,52E-07	5,35E-08	4,68E-13	1,10E-04	7,05E-06
	Use	3,40E+00	3,36E+00	3,45E-02	1,11E-02	7,65E-11	7,35E-03	7,18E-06	1,76E-03	1,98E-02	4,37E-03	6,98E-07	6,85E+01	8,41E-01
	End of Life	9,34E-04	7,87E-04	1,39E-04	7,50E-06	1,46E-16	1,19E-06	5,61E-09	5,11E-07	5,14E-06	1,13E-06	4,88E-11	9,46E-03	9,15E-06
	Module D	-1,04E-01	-1,05E-01	1,47E-03	-1,14E-03	-4,15E-13	-9,62E-04	-5,06E-07	-1,53E-04	-1,63E-03	-4,69E-04	-3,60E-05	-	1,52E+00
1513920000	Total*	2,76E-01	2,72E-01	3,73E-03	6,48E-04	9,96E-12	1,46E-03	5,86E-07	1,66E-04	1,81E-03	5,07E-04	5,22E-05	4,13E+00	5,94E-02
	Manufacturing	2,07E-01	2,04E-01	2,82E-03	3,97E-04	8,52E-12	1,31E-03	4,34E-07	1,30E-04	1,41E-03	4,19E-04	5,21E-05	2,78E+00	4,36E-02
	Distribution	3,23E-03	3,27E-03	-7,26E-05	3,37E-05	5,44E-16	5,07E-06	8,83E-09	2,07E-06	2,19E-05	4,52E-06	2,18E-10	4,20E-02	1,50E-05
	Installation	1,88E-04	1,35E-05	1,75E-04	7,23E-08	2,38E-17	6,05E-08	5,94E-10	2,85E-08	2,50E-07	8,79E-08	7,70E-13	1,81E-04	1,16E-05
	Use	6,40E-02	6,32E-02	6,49E-04	2,09E-04	1,44E-12	1,38E-04	1,35E-07	3,32E-05	3,72E-04	8,24E-05	1,31E-08	1,29E+00	1,58E-02
	End of Life	1,12E-03	9,48E-04	1,67E-04	9,03E-06	1,76E-16	1,44E-06	6,75E-09	6,15E-07	6,19E-06	1,36E-06	5,88E-11	1,14E-02	1,10E-05
	Module D	-1,23E-01	-1,23E-01	1,89E-03	-1,28E-03	-4,82E-13	-1,09E-03	-5,75E-07	-1,76E-04	-1,88E-03	-5,41E-04	-4,02E-05	-	1,81E+00
2675900000	Total*	2,78E-01	2,74E-01	3,79E-03	6,25E-04	1,03E-11	1,45E-03	6,14E-07	1,68E-04	1,83E-03	5,10E-04	5,22E-05	4,09E+00	5,82E-02
	Manufacturing	2,09E-01	2,06E-01	2,87E-03	3,74E-04	8,82E-12	1,30E-03	4,62E-07	1,32E-04	1,43E-03	4,21E-04	5,21E-05	2,75E+00	4,23E-02
	Distribution	3,23E-03	3,27E-03	-7,26E-05	3,37E-05	5,44E-16	5,07E-06	8,83E-09	2,07E-06	2,19E-05	4,52E-06	2,18E-10	4,20E-02	1,50E-05
	Installation	1,88E-04	1,35E-05	1,75E-04	7,23E-08	2,38E-17	6,05E-08	5,94E-10	2,85E-08	2,50E-07	8,79E-08	7,70E-13	1,81E-04	1,16E-05
	Use	6,40E-02	6,32E-02	6,49E-04	2,09E-04	1,44E-12	1,38E-04	1,35E-07	3,32E-05	3,72E-04	8,24E-05	1,31E-08	1,29E+00	1,58E-02
	End of Life	1,12E-03	9,48E-04	1,67E-04	9,03E-06	1,76E-16	1,44E-06	6,75E-09	6,15E-07	6,19E-06	1,36E-06	5,88E-11	1,14E-02	1,10E-05
	Module D	-1,24E-01	-1,25E-01	1,96E-03	-1,27E-03	-4,86E-13	-1,09E-03	-5,76E-07	-1,77E-04	-1,89E-03	-5,44E-04	-4,01E-05	-	1,84E+00
2898170000	Total*	3,81E-01	3,68E-01	1,26E-02	5,92E-04	1,06E-11	1,30E-03	1,01E-06	2,18E-04	2,40E-03	6,01E-04	4,28E-05	5,30E+00	4,61E-02
	Manufacturing	3,12E-01	3,00E-01	1,17E-02	3,36E-04	9,20E-12	1,16E-03	8,61E-07	1,81E-04	2,00E-03	5,12E-04	4,28E-05	3,96E+00	3,02E-02
	Distribution	3,57E-03	3,61E-03	-8,01E-05	3,72E-05	6,00E-16	5,60E-06	9,75E-09	2,28E-06	2,42E-05	4,99E-06	2,41E-10	4,63E-02	1,65E-05
	Installation	2,14E-04	1,53E-05	1,98E-04	8,21E-08	2,71E-17	6,87E-08	6,75E-10	3,24E-08	2,84E-07	9,99E-08	8,75E-13	2,06E-04	1,32E-05
	Use	6,40E-02	6,32E-02	6,49E-04	2,09E-04	1,44E-12	1,38E-04	1,35E-07	3,32E-05	3,72E-04	8,24E-05	1,31E-08	1,29E+00	1,58E-02
	End of Life	1,24E-03	1,04E-03	1,84E-04	9,94E-06	1,93E-16	1,58E-06	7,44E-09	6,77E-07	6,82E-06	1,50E-06	6,47E-11	1,25E-02	1,21E-05
	Module D	-1,24E-01	-1,25E-01	1,86E-03	-1,19E-03	-4,92E-13	-1,02E-03	-5,49E-07	-1,71E-04	-1,82E-03	-5,28E-04	-3,73E-05	-	1,87E+00
2540230000 2540250000	Total*	2,14E+00	2,11E+00	2,06E-02	6,62E-03	4,81E-11	4,94E-03	4,52E-06	1,11E-03	1,24E-02	2,85E-03	2,50E-05	4,20E+01	5,03E-01
	Manufacturing	1,87E-01	1,86E-01	3,78E-04	2,32E-04	4,44E-12	7,31E-04	3,98E-07	1,04E-04	1,11E-03	3,41E-04	2,46E-05	2,79E+00	2,26E-02
	Distribution	4,45E-03	4,51E-03	-9,99E-05	4,64E-05	7,49E-16	6,98E-06	1,22E-08	2,84E-06	3,02E-05	6,22E-06	3,00E-10	5,78E-02	2,06E-05
	Installation	4,67E-04	3,34E-05	4,33E-04	1,79E-07	5,92E-17	1,50E-07	1,48E-09	7,08E-08	6,20E-07	2,18E-07	1,91E-12	4,49E-04	2,88E-05

	Use	1,94E+00	1,92E+00	1,97E-02	6,33E-03	4,37E-11	4,20E-03	4,10E-06	1,01E-03	1,13E-02	2,50E-03	3,99E-07	3,91E+01	4,81E-01	
	End of Life	1,46E-03	1,23E-03	2,17E-04	1,17E-05	2,28E-16	1,87E-06	8,77E-09	7,99E-07	8,04E-06	1,77E-06	7,64E-11	1,48E-02	1,43E-05	
	Module D	-1,30E-01	-1,32E-01	3,24E-03	-6,58E-04	-3,87E-13	-6,93E-04	-3,90E-07	-1,46E-04	-1,54E-03	-4,62E-04	-1,96E-05	2,13E+00	-4,06E-02	
2676050000 2676060000	Total*	2,14E+00	2,11E+00	2,06E-02	6,62E-03	4,81E-11	4,94E-03	4,52E-06	1,12E-03	1,25E-02	2,85E-03	2,50E-05	4,20E+01	5,03E-01	
	Manufacturing	1,89E-01	1,89E-01	3,85E-04	2,33E-04	4,45E-12	7,34E-04	4,01E-07	1,05E-04	1,12E-03	3,45E-04	2,46E-05	2,83E+00	2,26E-02	
	Distribution	4,45E-03	4,51E-03	-9,99E-05	4,64E-05	7,49E-16	6,98E-06	1,22E-08	2,84E-06	3,02E-05	6,22E-06	3,00E-10	5,78E-02	2,06E-05	
	Installation	4,67E-04	3,34E-05	4,33E-04	1,79E-07	5,92E-17	1,50E-07	1,48E-09	7,08E-08	6,20E-07	2,18E-07	1,91E-12	4,49E-04	2,88E-05	
	Use	1,94E+00	1,92E+00	1,97E-02	6,33E-03	4,37E-11	4,20E-03	4,10E-06	1,01E-03	1,13E-02	2,50E-03	3,99E-07	3,91E+01	4,81E-01	
	End of Life	1,46E-03	1,23E-03	2,17E-04	1,17E-05	2,28E-16	1,87E-06	8,77E-09	7,99E-07	8,04E-06	1,77E-06	7,64E-11	1,48E-02	1,43E-05	
	Module D	-1,31E-01	-1,34E-01	3,25E-03	-6,57E-04	-3,89E-13	-6,94E-04	-3,91E-07	-1,47E-04	-1,55E-03	-4,66E-04	-1,95E-05	2,16E+00	-4,07E-02	
	2540290000	Total*	3,11E-01	3,09E-01	1,13E-03	7,18E-04	1,07E-11	1,65E-03	6,33E-07	1,85E-04	2,01E-03	5,88E-04	5,86E-05	4,77E+00	6,54E-02
		Manufacturing	2,40E-01	2,39E-01	-8,25E-05	4,45E-04	9,30E-12	1,50E-03	4,73E-07	1,48E-04	1,59E-03	4,97E-04	5,86E-05	3,40E+00	4,95E-02
Distribution		4,90E-03	4,96E-03	-1,10E-04	5,11E-05	8,23E-16	7,68E-06	1,34E-08	3,13E-06	3,32E-05	6,84E-06	3,30E-10	6,36E-02	2,27E-05	
	Installation	4,67E-04	3,34E-05	4,33E-04	1,79E-07	5,92E-17	1,50E-07	1,48E-09	7,08E-08	6,20E-07	2,18E-07	1,91E-12	4,49E-04	2,88E-05	
	Use	6,40E-02	6,32E-02	6,49E-04	2,09E-04	1,44E-12	1,38E-04	1,35E-07	3,32E-05	3,72E-04	8,24E-05	1,31E-08	1,29E+00	1,58E-02	
	End of Life	1,63E-03	1,37E-03	2,42E-04	1,31E-05	2,54E-16	2,08E-06	9,77E-09	8,89E-07	8,95E-06	1,97E-06	8,50E-11	1,65E-02	1,59E-05	
	Module D	-1,68E-01	-1,70E-01	3,74E-03	-1,43E-03	-6,00E-13	-1,28E-03	-6,93E-07	-2,23E-04	-2,37E-03	-6,92E-04	-4,45E-05	2,59E+00	-7,35E-02	
	2676070000	Total*	3,13E-01	3,11E-01	1,16E-03	6,87E-04	1,11E-11	1,63E-03	6,66E-07	1,87E-04	2,03E-03	5,91E-04	5,86E-05	4,72E+00	6,38E-02
		Manufacturing	2,42E-01	2,41E-01	-5,39E-05	4,13E-04	9,68E-12	1,49E-03	5,06E-07	1,50E-04	1,62E-03	4,99E-04	5,86E-05	3,35E+00	4,79E-02
Distribution		4,98E-03	5,04E-03	-1,12E-04	5,19E-05	8,37E-16	7,80E-06	1,36E-08	3,18E-06	3,37E-05	6,95E-06	3,35E-10	6,46E-02	2,31E-05	
	Installation	4,67E-04	3,34E-05	4,33E-04	1,79E-07	5,92E-17	1,50E-07	1,48E-09	7,08E-08	6,20E-07	2,18E-07	1,91E-12	4,49E-04	2,88E-05	
	Use	6,40E-02	6,32E-02	6,49E-04	2,09E-04	1,44E-12	1,38E-04	1,35E-07	3,32E-05	3,72E-04	8,24E-05	1,31E-08	1,29E+00	1,58E-02	
	End of Life	1,65E-03	1,40E-03	2,46E-04	1,33E-05	2,59E-16	2,12E-06	9,94E-09	9,05E-07	9,11E-06	2,00E-06	8,66E-11	1,68E-02	1,62E-05	
	Module D	-1,69E-01	-1,72E-01	3,86E-03	-1,43E-03	-6,06E-13	-1,28E-03	-6,95E-07	-2,24E-04	-2,38E-03	-6,96E-04	-4,44E-05	2,62E+00	-7,36E-02	
	2540300000	Total*	3,24E-01	3,22E-01	9,01E-04	9,20E-04	1,46E-11	2,15E-03	6,87E-07	2,10E-04	2,30E-03	6,44E-04	8,09E-05	4,87E+00	9,11E-02
		Manufacturing	2,16E-01	2,16E-01	-6,80E-04	5,32E-04	1,23E-11	1,92E-03	4,50E-07	1,54E-04	1,67E-03	5,05E-04	8,09E-05	2,74E+00	6,57E-02
Distribution		4,17E-03	4,22E-03	-9,36E-05	4,35E-05	7,01E-16	6,54E-06	1,14E-08	2,66E-06	2,83E-05	5,83E-06	2,81E-10	5,42E-02	1,93E-05	
	Installation	4,67E-04	3,34E-05	4,33E-04	1,79E-07	5,92E-17	1,50E-07	1,48E-09	7,08E-08	6,20E-07	2,18E-07	1,91E-12	4,49E-04	2,88E-05	
	Use	1,02E-01	1,01E-01	1,04E-03	3,34E-04	2,30E-12	2,21E-04	2,16E-07	5,31E-05	5,95E-04	1,32E-04	2,10E-08	2,06E+00	2,53E-02	
	End of Life	1,36E-03	1,14E-03	2,02E-04	1,09E-05	2,12E-16	1,73E-06	8,15E-09	7,42E-07	7,47E-06	1,64E-06	7,09E-11	1,37E-02	1,33E-05	
	Module D	-1,35E-01	-1,37E-01	4,06E-03	-1,92E-03	-6,19E-13	-1,54E-03	-8,21E-07	-2,27E-04	-2,43E-03	-6,85E-04	-6,06E-05	1,89E+00	-8,74E-02	
	2676080000	Total*	2,18E+00	2,15E+00	2,16E-02	6,88E-03	5,53E-11	5,98E-03	4,65E-06	1,17E-03	1,31E-02	3,01E-03	7,34E-05	4,22E+01	5,40E-01
		Manufacturing	2,33E-01	2,31E-01	1,36E-03	5,04E-04	1,17E-11	1,77E-03	5,30E-07	1,59E-04	1,73E-03	5,04E-04	7,30E-05	2,97E+00	5,89E-02
Distribution		3,62E-03	3,67E-03	-8,13E-05	3,78E-05	6,09E-16	5,68E-06	9,89E-09	2,31E-06	2,46E-05	5,06E-06	2,44E-10	4,70E-02	1,68E-05	
	Installation	4,67E-04	3,34E-05	4,33E-04	1,79E-07	5,92E-17	1,50E-07	1,48E-09	7,08E-08	6,20E-07	2,18E-07	1,91E-12	4,49E-04	2,88E-05	
	Use	1,94E+00	1,92E+00	1,97E-02	6,33E-03	4,37E-11	4,20E-03	4,10E-06	1,01E-03	1,13E-02	2,50E-03	3,99E-07	3,91E+01	4,81E-01	
	End of Life	1,15E-03	9,71E-04	1,71E-04	9,25E-06	1,80E-16	1,47E-06	6,92E-09	6,30E-07	6,34E-06	1,39E-06	6,02E-11	1,17E-02	1,13E-05	
	Module D	-1,29E-01	-1,32E-01	3,93E-03	-1,76E-03	-5,84E-13	-1,43E-03	-7,62E-07	-2,13E-04	-2,28E-03	-6,43E-04	-5,57E-05	1,83E+00	-8,10E-02	

2540260000 2540270000	Total*	2,66E+00	2,63E+00	2,52E-02	8,35E-03	6,22E-11	6,50E-03	5,60E-06	1,40E-03	1,56E-02	3,58E-03	4,74E-05	5,22E+01	6,41E-01
	Manufacturing	2,22E-01	2,22E-01	-1,34E-05	3,65E-04	7,61E-12	1,24E-03	4,46E-07	1,33E-04	1,43E-03	4,45E-04	4,69E-05	3,21E+00	4,03E-02
	Distribution	5,44E-03	5,51E-03	-1,22E-04	5,67E-05	9,15E-16	8,53E-06	1,49E-08	3,48E-06	3,69E-05	7,60E-06	3,67E-10	7,06E-02	2,52E-05
	Installation	4,67E-04	3,34E-05	4,33E-04	1,79E-07	5,92E-17	1,50E-07	1,48E-09	7,08E-08	6,20E-07	2,18E-07	1,91E-12	4,49E-04	2,88E-05
	Use	2,43E+00	2,40E+00	2,46E-02	7,91E-03	5,46E-11	5,25E-03	5,13E-06	1,26E-03	1,41E-02	3,12E-03	4,98E-07	4,89E+01	6,01E-01
	End of Life	1,83E-03	1,54E-03	2,72E-04	1,47E-05	2,86E-16	2,34E-06	1,10E-08	1,00E-06	1,01E-05	2,21E-06	9,56E-11	1,85E-02	1,79E-05
	Module D	-1,56E-01	-1,58E-01	3,57E-03	-1,16E-03	-5,28E-13	-1,08E-03	-5,88E-07	-1,97E-04	-2,09E-03	-6,15E-04	-3,57E-05	-	2,46E+00
2676090000	Total*	2,67E+00	2,64E+00	2,71E-02	8,31E-03	6,15E-11	6,34E-03	5,67E-06	1,40E-03	1,56E-02	3,57E-03	3,93E-05	5,24E+01	6,34E-01
	Manufacturing	2,37E-01	2,35E-01	1,84E-03	3,36E-04	6,86E-12	1,08E-03	5,17E-07	1,37E-04	1,47E-03	4,40E-04	3,88E-05	3,40E+00	3,34E-02
	Distribution	4,87E-03	4,92E-03	-1,09E-04	5,07E-05	8,18E-16	7,63E-06	1,33E-08	3,11E-06	3,30E-05	6,80E-06	3,28E-10	6,32E-02	2,25E-05
	Installation	4,67E-04	3,34E-05	4,33E-04	1,79E-07	5,92E-17	1,50E-07	1,48E-09	7,08E-08	6,20E-07	2,18E-07	1,91E-12	4,49E-04	2,88E-05
	Use	2,43E+00	2,40E+00	2,46E-02	7,91E-03	5,46E-11	5,25E-03	5,13E-06	1,26E-03	1,41E-02	3,12E-03	4,98E-07	4,89E+01	6,01E-01
	End of Life	1,61E-03	1,36E-03	2,40E-04	1,30E-05	2,52E-16	2,06E-06	9,69E-09	8,83E-07	8,89E-06	1,95E-06	8,44E-11	1,64E-02	1,58E-05
	Module D	-1,49E-01	-1,52E-01	3,44E-03	-1,00E-03	-4,90E-13	-9,59E-04	-5,27E-07	-1,82E-04	-1,93E-03	-5,71E-04	-3,06E-05	-	2,38E+00
2540050000	Total*	2,99E+00	2,95E+00	3,11E-02	9,60E-03	6,76E-11	6,59E-03	6,36E-06	1,56E-03	1,74E-02	3,88E-03	1,08E-05	5,96E+01	7,31E-01
	Manufacturing	7,15E-02	7,00E-02	1,36E-03	8,97E-05	2,07E-12	2,87E-04	2,02E-07	4,42E-05	4,85E-04	1,23E-04	1,02E-05	9,20E-01	1,02E-02
	Distribution	1,13E-03	1,15E-03	-2,55E-05	1,18E-05	1,91E-16	1,78E-06	3,10E-09	7,25E-07	7,69E-06	1,59E-06	7,65E-11	1,47E-02	5,26E-06
	Installation	2,11E-04	1,51E-05	1,96E-04	8,10E-08	2,67E-17	6,79E-08	6,67E-10	3,20E-08	2,80E-07	9,86E-08	8,64E-13	2,03E-04	1,30E-05
	Use	2,92E+00	2,88E+00	2,96E-02	9,49E-03	6,55E-11	6,30E-03	6,15E-06	1,51E-03	1,69E-02	3,75E-03	5,98E-07	5,87E+01	7,21E-01
	End of Life	3,34E-04	2,81E-04	4,96E-05	2,68E-06	5,22E-17	4,27E-07	2,01E-09	1,83E-07	1,84E-06	4,04E-07	1,75E-11	3,38E-03	3,27E-06
	Module D	-2,75E-02	-2,87E-02	1,44E-03	-2,85E-04	-1,12E-13	-2,47E-04	-1,38E-07	-4,06E-05	-4,32E-04	-1,23E-04	-8,79E-06	-4,19E-01	-1,44E-02
2540060000	Total*	3,09E+00	3,05E+00	3,14E-02	9,70E-03	6,78E-11	6,72E-03	6,50E-06	1,60E-03	1,79E-02	4,04E-03	1,08E-05	6,15E+01	7,33E-01
	Manufacturing	1,70E-01	1,68E-01	1,51E-03	1,54E-04	2,26E-12	4,14E-04	3,26E-07	8,37E-05	8,90E-04	2,84E-04	1,02E-05	2,69E+00	1,21E-02
	Distribution	4,10E-03	4,15E-03	-9,19E-05	4,27E-05	6,89E-16	6,42E-06	1,12E-08	2,62E-06	2,78E-05	5,73E-06	2,76E-10	5,32E-02	1,90E-05
	Installation	2,38E-04	1,70E-05	2,21E-04	9,13E-08	3,01E-17	7,65E-08	7,51E-10	3,60E-08	3,16E-07	1,11E-07	9,73E-13	2,29E-04	1,46E-05
	Use	2,92E+00	2,88E+00	2,96E-02	9,49E-03	6,55E-11	6,30E-03	6,15E-06	1,51E-03	1,69E-02	3,75E-03	5,98E-07	5,87E+01	7,21E-01
	End of Life	1,42E-03	1,20E-03	2,12E-04	1,14E-05	2,22E-16	1,82E-06	8,56E-09	7,79E-07	7,84E-06	1,72E-06	7,45E-11	1,44E-02	1,40E-05
	Module D	-1,28E-01	-1,29E-01	1,61E-03	-3,20E-04	-3,22E-13	-4,59E-04	-2,61E-07	-1,22E-04	-1,28E-03	-3,98E-04	-8,79E-06	-	2,18E+00
2675960000	Total*	2,99E+00	2,95E+00	3,12E-02	9,60E-03	6,76E-11	6,59E-03	6,36E-06	1,56E-03	1,74E-02	3,88E-03	1,08E-05	5,97E+01	7,31E-01
	Manufacturing	7,42E-02	7,27E-02	1,37E-03	9,08E-05	2,08E-12	2,90E-04	2,06E-07	4,53E-05	4,96E-04	1,28E-04	1,02E-05	9,67E-01	1,03E-02
	Distribution	1,13E-03	1,15E-03	-2,55E-05	1,18E-05	1,91E-16	1,78E-06	3,10E-09	7,25E-07	7,69E-06	1,59E-06	7,65E-11	1,47E-02	5,26E-06
	Installation	2,11E-04	1,51E-05	1,96E-04	8,10E-08	2,67E-17	6,79E-08	6,67E-10	3,20E-08	2,80E-07	9,86E-08	8,64E-13	2,03E-04	1,30E-05
	Use	2,92E+00	2,88E+00	2,96E-02	9,49E-03	6,55E-11	6,30E-03	6,15E-06	1,51E-03	1,69E-02	3,75E-03	5,98E-07	5,87E+01	7,21E-01
	End of Life	3,34E-04	2,81E-04	4,96E-05	2,68E-06	5,22E-17	4,27E-07	2,01E-09	1,83E-07	1,84E-06	4,04E-07	1,75E-11	3,38E-03	3,27E-06
	Module D	-2,91E-02	-3,02E-02	1,44E-03	-2,81E-04	-1,14E-13	-2,47E-04	-1,38E-07	-4,16E-05	-4,42E-04	-1,27E-04	-8,65E-06	-4,48E-01	-1,44E-02
2675970000	Total*	3,09E+00	3,05E+00	3,14E-02	9,70E-03	6,78E-11	6,73E-03	6,50E-06	1,60E-03	1,79E-02	4,05E-03	1,08E-05	6,15E+01	7,33E-01
	Manufacturing	1,73E-01	1,71E-01	1,52E-03	1,55E-04	2,27E-12	4,17E-04	3,29E-07	8,48E-05	9,01E-04	2,89E-04	1,02E-05	2,74E+00	1,21E-02
	Distribution	4,10E-03	4,15E-03	-9,19E-05	4,27E-05	6,89E-16	6,42E-06	1,12E-08	2,62E-06	2,78E-05	5,73E-06	2,76E-10	5,32E-02	1,90E-05

	Installation	2,38E-04	1,70E-05	2,21E-04	9,13E-08	3,01E-17	7,65E-08	7,51E-10	3,60E-08	3,16E-07	1,11E-07	9,73E-13	2,29E-04	1,46E-05
	Use	2,92E+00	2,88E+00	2,96E-02	9,49E-03	6,55E-11	6,30E-03	6,15E-06	1,51E-03	1,69E-02	3,75E-03	5,98E-07	5,87E+01	7,21E-01
	End of Life	1,42E-03	1,20E-03	2,12E-04	1,14E-05	2,22E-16	1,82E-06	8,56E-09	7,79E-07	7,84E-06	1,72E-06	7,45E-11	1,44E-02	1,40E-05
	Module D	-1,29E-01	-1,31E-01	1,62E-03	-3,19E-04	-3,25E-13	-4,61E-04	-2,62E-07	-1,23E-04	-1,29E-03	-4,01E-04	-8,76E-06	-	2,20E+00
2540070000 2540080000	Total*	3,57E+00	3,52E+00	3,55E-02	1,13E-02	7,92E-11	7,89E-03	7,48E-06	1,85E-03	2,07E-02	4,68E-03	1,64E-05	7,12E+01	8,58E-01
	Manufacturing	1,65E-01	1,64E-01	7,14E-04	1,73E-04	2,78E-12	5,33E-04	2,80E-07	8,29E-05	8,79E-04	2,94E-04	1,57E-05	2,62E+00	1,69E-02
	Distribution	4,26E-03	4,31E-03	-9,55E-05	4,44E-05	7,16E-16	6,67E-06	1,16E-08	2,72E-06	2,89E-05	5,95E-06	2,87E-10	5,53E-02	1,97E-05
	Installation	1,83E-04	1,31E-05	1,70E-04	7,03E-08	2,32E-17	5,89E-08	5,78E-10	2,77E-08	2,43E-07	8,55E-08	7,49E-13	1,76E-04	1,13E-05
	Use	3,40E+00	3,36E+00	3,45E-02	1,11E-02	7,65E-11	7,35E-03	7,18E-06	1,76E-03	1,98E-02	4,37E-03	6,98E-07	6,85E+01	8,41E-01
	End of Life	1,51E-03	1,27E-03	2,24E-04	1,21E-05	2,35E-16	1,93E-06	9,05E-09	8,24E-07	8,30E-06	1,82E-06	7,88E-11	1,53E-02	1,48E-05
	Module D	-1,36E-01	-1,37E-01	1,39E-03	-4,29E-04	-3,51E-13	-5,52E-04	-3,03E-07	-1,35E-04	-1,42E-03	-4,38E-04	-1,22E-05	-	2,28E+00
2675990000 2676000000	Total*	3,57E+00	3,53E+00	3,55E-02	1,13E-02	7,93E-11	7,90E-03	7,48E-06	1,85E-03	2,07E-02	4,68E-03	1,64E-05	7,12E+01	8,58E-01
	Manufacturing	1,67E-01	1,66E-01	7,21E-04	1,74E-04	2,79E-12	5,36E-04	2,84E-07	8,40E-05	8,90E-04	2,99E-04	1,57E-05	2,67E+00	1,69E-02
	Distribution	4,26E-03	4,31E-03	-9,55E-05	4,44E-05	7,16E-16	6,67E-06	1,16E-08	2,72E-06	2,89E-05	5,95E-06	2,87E-10	5,53E-02	1,97E-05
	Installation	1,83E-04	1,31E-05	1,70E-04	7,03E-08	2,32E-17	5,89E-08	5,78E-10	2,77E-08	2,43E-07	8,55E-08	7,49E-13	1,76E-04	1,13E-05
	Use	3,40E+00	3,36E+00	3,45E-02	1,11E-02	7,65E-11	7,35E-03	7,18E-06	1,76E-03	1,98E-02	4,37E-03	6,98E-07	6,85E+01	8,41E-01
	End of Life	1,51E-03	1,27E-03	2,24E-04	1,21E-05	2,35E-16	1,93E-06	9,05E-09	8,24E-07	8,30E-06	1,82E-06	7,88E-11	1,53E-02	1,48E-05
	Module D	-1,37E-01	-1,38E-01	1,39E-03	-4,28E-04	-3,54E-13	-5,54E-04	-3,04E-07	-1,36E-04	-1,43E-03	-4,41E-04	-1,22E-05	-	2,30E+00
2540090000 2540100000	Total*	2,25E+00	2,22E+00	2,11E-02	7,09E-03	5,03E-11	5,08E-03	4,75E-06	1,17E-03	1,31E-02	2,97E-03	1,67E-05	4,46E+01	5,38E-01
	Manufacturing	1,40E-01	1,41E-01	-6,98E-04	1,81E-04	2,95E-12	5,19E-04	2,87E-07	7,68E-05	8,20E-04	2,56E-04	1,63E-05	2,16E+00	1,71E-02
	Distribution	3,57E-03	3,61E-03	-8,01E-05	3,72E-05	6,00E-16	5,59E-06	9,75E-09	2,28E-06	2,42E-05	4,99E-06	2,40E-10	4,63E-02	1,65E-05
	Installation	4,28E-04	3,06E-05	3,98E-04	1,65E-07	5,43E-17	1,38E-07	1,35E-09	6,49E-08	5,69E-07	2,00E-07	1,75E-12	4,12E-04	2,64E-05
	Use	2,11E+00	2,08E+00	2,14E-02	6,86E-03	4,73E-11	4,55E-03	4,44E-06	1,09E-03	1,22E-02	2,71E-03	4,32E-07	4,24E+01	5,21E-01
	End of Life	1,15E-03	9,68E-04	1,71E-04	9,22E-06	1,79E-16	1,47E-06	6,90E-09	6,28E-07	6,32E-06	1,39E-06	6,01E-11	1,16E-02	1,13E-05
	Module D	-1,01E-01	-1,04E-01	2,90E-03	-4,44E-04	-2,88E-13	-4,97E-04	-2,84E-07	-1,10E-04	-1,16E-03	-3,51E-04	-1,29E-05	-	1,69E+00
2676020000 2676030000	Total*	2,28E+00	2,25E+00	2,29E-02	7,11E-03	5,09E-11	5,14E-03	4,84E-06	1,19E-03	1,33E-02	3,01E-03	1,87E-05	4,50E+01	5,39E-01
	Manufacturing	1,70E-01	1,68E-01	1,00E-03	2,05E-04	3,62E-12	5,83E-04	3,81E-07	9,32E-05	1,00E-03	2,96E-04	1,83E-05	2,52E+00	1,78E-02
	Distribution	3,82E-03	3,87E-03	-8,57E-05	3,99E-05	6,43E-16	5,99E-06	1,04E-08	2,44E-06	2,59E-05	5,34E-06	2,58E-10	4,96E-02	1,77E-05
	Installation	4,28E-04	3,06E-05	3,98E-04	1,65E-07	5,43E-17	1,38E-07	1,35E-09	6,49E-08	5,69E-07	2,00E-07	1,75E-12	4,12E-04	2,64E-05
	Use	2,11E+00	2,08E+00	2,14E-02	6,86E-03	4,73E-11	4,55E-03	4,44E-06	1,09E-03	1,22E-02	2,71E-03	4,32E-07	4,24E+01	5,21E-01
	End of Life	1,24E-03	1,05E-03	1,85E-04	9,98E-06	1,94E-16	1,59E-06	7,46E-09	6,79E-07	6,84E-06	1,50E-06	6,50E-11	1,26E-02	1,22E-05
	Module D	-1,06E-01	-1,09E-01	2,91E-03	-5,10E-04	-3,13E-13	-5,50E-04	-3,12E-07	-1,18E-04	-1,24E-03	-3,75E-04	-1,50E-05	-	1,76E+00
2540110000	Total*	2,30E-01	2,28E-01	1,17E-03	6,80E-04	9,66E-12	1,39E-03	4,56E-07	1,44E-04	1,58E-03	4,35E-04	4,94E-05	3,69E+00	6,71E-02
	Manufacturing	1,25E-01	1,25E-01	-6,77E-05	3,21E-04	7,36E-12	1,17E-03	2,30E-07	8,90E-05	9,65E-04	2,99E-04	4,93E-05	1,60E+00	4,17E-02
	Distribution	1,94E-03	1,96E-03	-4,35E-05	2,02E-05	3,26E-16	3,04E-06	5,29E-09	1,24E-06	1,31E-05	2,71E-06	1,31E-10	2,52E-02	8,98E-06
	Installation	1,50E-04	1,07E-05	1,39E-04	5,77E-08	1,90E-17	4,83E-08	4,74E-10	2,28E-08	1,99E-07	7,02E-08	6,15E-13	1,44E-04	9,25E-06
	Use	1,02E-01	1,01E-01	1,04E-03	3,34E-04	2,30E-12	2,21E-04	2,16E-07	5,31E-05	5,95E-04	1,32E-04	2,10E-08	2,06E+00	2,53E-02
	End of Life	6,58E-04	5,54E-04	9,78E-05	5,28E-06	1,03E-16	8,41E-07	3,95E-09	3,60E-07	3,62E-06	7,96E-07	3,44E-11	6,66E-03	6,45E-06

	Module D	-8,34E-02	-8,39E-02	1,65E-03	-1,16E-03	-3,75E-13	-9,35E-04	-4,91E-07	-1,38E-04	-1,48E-03	-4,17E-04	-3,68E-05	1,16E+00	-5,29E-02
2675980000	Total*	2,32E-01	2,30E-01	1,23E-03	6,56E-04	9,88E-12	1,39E-03	4,78E-07	1,45E-04	1,60E-03	4,38E-04	4,94E-05	3,69E+00	6,62E-02
	Manufacturing	1,27E-01	1,27E-01	7,76E-07	2,97E-04	7,58E-12	1,16E-03	2,52E-07	9,06E-05	9,84E-04	3,03E-04	4,93E-05	1,59E+00	4,08E-02
	Distribution	1,94E-03	1,96E-03	-4,35E-05	2,02E-05	3,26E-16	3,04E-06	5,29E-09	1,24E-06	1,31E-05	2,71E-06	1,31E-10	2,52E-02	8,98E-06
	Installation	1,50E-04	1,07E-05	1,39E-04	5,77E-08	1,90E-17	4,83E-08	4,74E-10	2,28E-08	1,99E-07	7,02E-08	6,15E-13	1,44E-04	9,25E-06
	Use	1,02E-01	1,01E-01	1,04E-03	3,34E-04	2,30E-12	2,21E-04	2,16E-07	5,31E-05	5,95E-04	1,32E-04	2,10E-08	2,06E+00	2,53E-02
	End of Life	6,58E-04	5,54E-04	9,78E-05	5,28E-06	1,03E-16	8,41E-07	3,95E-09	3,60E-07	3,62E-06	7,96E-07	3,44E-11	6,66E-03	6,45E-06
	Module D	-8,50E-02	-8,55E-02	1,68E-03	-1,16E-03	-3,79E-13	-9,35E-04	-4,91E-07	-1,39E-04	-1,49E-03	-4,20E-04	-3,66E-05	1,19E+00	-5,29E-02
2540170000	Total*	2,49E-01	2,47E-01	1,27E-03	7,29E-04	1,08E-11	1,57E-03	4,99E-07	1,57E-04	1,73E-03	4,78E-04	5,65E-05	3,91E+00	7,26E-02
	Manufacturing	1,43E-01	1,42E-01	-9,02E-06	3,64E-04	8,47E-12	1,34E-03	2,71E-07	1,02E-04	1,11E-03	3,42E-04	5,65E-05	1,81E+00	4,72E-02
	Distribution	2,34E-03	2,37E-03	-5,25E-05	2,44E-05	3,93E-16	3,67E-06	6,39E-09	1,49E-06	1,59E-05	3,27E-06	1,58E-10	3,04E-02	1,08E-05
	Installation	1,83E-04	1,31E-05	1,70E-04	7,03E-08	2,32E-17	5,89E-08	5,78E-10	2,77E-08	2,43E-07	8,55E-08	7,49E-13	1,76E-04	1,13E-05
	Use	1,02E-01	1,01E-01	1,04E-03	3,34E-04	2,30E-12	2,21E-04	2,16E-07	5,31E-05	5,95E-04	1,32E-04	2,10E-08	2,06E+00	2,53E-02
	End of Life	7,93E-04	6,69E-04	1,18E-04	6,37E-06	1,24E-16	1,01E-06	4,76E-09	4,34E-07	4,37E-06	9,60E-07	4,15E-11	8,04E-03	7,77E-06
	Module D	-9,45E-02	-9,52E-02	1,97E-03	-1,33E-03	-4,26E-13	-1,08E-03	-5,62E-07	-1,58E-04	-1,69E-03	-4,76E-04	-4,22E-05	1,30E+00	-6,13E-02
2676010000	Total*	2,51E-01	2,49E-01	1,34E-03	7,01E-04	1,10E-11	1,56E-03	5,21E-07	1,59E-04	1,75E-03	4,82E-04	5,65E-05	3,90E+00	7,17E-02
	Manufacturing	1,45E-01	1,45E-01	6,52E-05	3,36E-04	8,69E-12	1,33E-03	2,93E-07	1,04E-04	1,13E-03	3,46E-04	5,65E-05	1,80E+00	4,63E-02
	Distribution	2,34E-03	2,37E-03	-5,25E-05	2,44E-05	3,93E-16	3,67E-06	6,39E-09	1,49E-06	1,59E-05	3,27E-06	1,58E-10	3,04E-02	1,08E-05
	Installation	1,83E-04	1,31E-05	1,70E-04	7,03E-08	2,32E-17	5,89E-08	5,78E-10	2,77E-08	2,43E-07	8,55E-08	7,49E-13	1,76E-04	1,13E-05
	Use	1,02E-01	1,01E-01	1,04E-03	3,34E-04	2,30E-12	2,21E-04	2,16E-07	5,31E-05	5,95E-04	1,32E-04	2,10E-08	2,06E+00	2,53E-02
	End of Life	7,93E-04	6,69E-04	1,18E-04	6,37E-06	1,24E-16	1,01E-06	4,76E-09	4,34E-07	4,37E-06	9,60E-07	4,15E-11	8,04E-03	7,77E-06
	Module D	-9,62E-02	-9,69E-02	2,00E-03	-1,33E-03	-4,30E-13	-1,08E-03	-5,63E-07	-1,59E-04	-1,70E-03	-4,79E-04	-4,20E-05	1,33E+00	-6,13E-02
2540180000	Total*	2,62E-01	2,61E-01	2,04E-04	7,66E-04	1,10E-11	1,60E-03	5,53E-07	1,66E-04	1,82E-03	5,01E-04	5,72E-05	4,11E+00	7,35E-02
	Manufacturing	1,55E-01	1,56E-01	-1,30E-03	3,97E-04	8,71E-12	1,37E-03	3,23E-07	1,11E-04	1,20E-03	3,64E-04	5,71E-05	2,01E+00	4,82E-02
	Distribution	2,72E-03	2,75E-03	-6,09E-05	2,83E-05	4,57E-16	4,26E-06	7,42E-09	1,73E-06	1,84E-05	3,79E-06	1,83E-10	3,53E-02	1,26E-05
	Installation	4,28E-04	3,06E-05	3,98E-04	1,65E-07	5,43E-17	1,38E-07	1,35E-09	6,49E-08	5,69E-07	2,00E-07	1,75E-12	4,12E-04	2,64E-05
	Use	1,02E-01	1,01E-01	1,04E-03	3,34E-04	2,30E-12	2,21E-04	2,16E-07	5,31E-05	5,95E-04	1,32E-04	2,10E-08	2,06E+00	2,53E-02
	End of Life	8,31E-04	7,01E-04	1,24E-04	6,68E-06	1,30E-16	1,06E-06	4,99E-09	4,55E-07	4,58E-06	1,01E-06	4,35E-11	8,42E-03	8,15E-06
	Module D	-9,68E-02	-9,90E-02	3,49E-03	-1,36E-03	-4,40E-13	-1,10E-03	-5,88E-07	-1,63E-04	-1,74E-03	-4,90E-04	-4,29E-05	1,36E+00	-6,25E-02
2676040000	Total*	2,95E-01	2,92E-01	2,09E-03	7,97E-04	1,17E-11	1,67E-03	6,57E-07	1,85E-04	2,02E-03	5,45E-04	5,94E-05	4,51E+00	7,43E-02
	Manufacturing	1,88E-01	1,87E-01	5,86E-04	4,24E-04	9,44E-12	1,45E-03	4,26E-07	1,29E-04	1,40E-03	4,08E-04	5,93E-05	2,39E+00	4,89E-02
	Distribution	3,00E-03	3,03E-03	-6,72E-05	3,12E-05	5,04E-16	4,70E-06	8,18E-09	1,91E-06	2,03E-05	4,19E-06	2,02E-10	3,89E-02	1,39E-05
	Installation	4,28E-04	3,06E-05	3,98E-04	1,65E-07	5,43E-17	1,38E-07	1,35E-09	6,49E-08	5,69E-07	2,00E-07	1,75E-12	4,12E-04	2,64E-05
	Use	1,02E-01	1,01E-01	1,04E-03	3,34E-04	2,30E-12	2,21E-04	2,16E-07	5,31E-05	5,95E-04	1,32E-04	2,10E-08	2,06E+00	2,53E-02
	End of Life	9,35E-04	7,88E-04	1,39E-04	7,51E-06	1,46E-16	1,20E-06	5,62E-09	5,11E-07	5,15E-06	1,13E-06	4,89E-11	9,48E-03	9,17E-06
	Module D	-1,03E-01	-1,05E-01	3,50E-03	-1,43E-03	-4,68E-13	-1,16E-03	-6,18E-07	-1,71E-04	-1,83E-03	-5,16E-04	-4,51E-05	1,44E+00	-6,57E-02
3002280000	Total*	4,30E+00	4,24E+00	4,35E-02	1,37E-02	9,64E-11	9,51E-03	9,05E-06	2,23E-03	2,50E-02	5,60E-03	1,81E-05	8,58E+01	1,04E+00
3002300000 3002290000	Manufacturing	1,43E-01	1,42E-01	1,08E-03	1,63E-04	3,09E-12	5,30E-04	2,77E-07	7,67E-05	8,21E-04	2,58E-04	1,73E-05	2,17E+00	1,72E-02

3002330000 3002320000	Distribution	3,13E-03	3,17E-03	-7,02E-05	3,26E-05	5,26E-16	4,91E-06	8,55E-09	2,00E-06	2,12E-05	4,37E-06	2,11E-10	4,06E-02	1,45E-05
	Installation	2,04E-04	1,46E-05	1,89E-04	7,83E-08	2,58E-17	6,55E-08	6,44E-10	3,09E-08	2,71E-07	9,52E-08	8,34E-13	1,96E-04	1,25E-05
	Use	4,15E+00	4,09E+00	4,21E-02	1,35E-02	9,33E-11	8,97E-03	8,76E-06	2,15E-03	2,41E-02	5,34E-03	8,51E-07	8,36E+01	1,03E+00
	End of Life	1,08E-03	9,09E-04	1,60E-04	8,66E-06	1,68E-16	1,38E-06	6,48E-09	5,90E-07	5,94E-06	1,30E-06	5,64E-11	1,09E-02	1,06E-05
	Module D	-1,06E-01	-1,07E-01	1,52E-03	-4,64E-04	-2,99E-13	-5,16E-04	-2,83E-07	-1,13E-04	-1,19E-03	-3,62E-04	-1,38E-05	1,74E+00	-3,04E-02
3002340000	Total*	6,02E+00	5,94E+00	6,00E-02	1,94E-02	1,40E-10	1,40E-02	1,27E-05	3,15E-03	3,52E-02	7,93E-03	5,94E-05	1,20E+02	1,48E+00
	Manufacturing	2,06E-01	2,05E-01	7,17E-04	3,87E-04	9,09E-12	1,43E-03	3,89E-07	1,30E-04	1,40E-03	4,45E-04	5,82E-05	2,83E+00	4,76E-02
	Distribution	4,06E-03	4,11E-03	-9,12E-05	4,24E-05	6,83E-16	6,37E-06	1,11E-08	2,60E-06	2,76E-05	5,68E-06	2,74E-10	5,28E-02	1,88E-05
	Installation	2,04E-04	1,46E-05	1,89E-04	7,83E-08	2,58E-17	6,55E-08	6,44E-10	3,09E-08	2,71E-07	9,52E-08	8,34E-13	1,96E-04	1,25E-05
	Use	5,81E+00	5,73E+00	5,89E-02	1,89E-02	1,31E-10	1,26E-02	1,23E-05	3,01E-03	3,38E-02	7,47E-03	1,19E-06	1,17E+02	1,44E+00
	End of Life	1,43E-03	1,20E-03	2,12E-04	1,15E-05	2,23E-16	1,82E-06	8,57E-09	7,80E-07	7,85E-06	1,73E-06	7,46E-11	1,44E-02	1,40E-05
	Module D	-1,54E-01	-1,55E-01	2,20E-03	-1,40E-03	-5,66E-13	-1,23E-03	-6,53E-07	-2,09E-04	-2,22E-03	-6,47E-04	-4,38E-05	2,34E+00	-7,04E-02

Please obtain the units from the table of the reference article.

\*In accordance with the current Product Category Rules (PCR), the values presented in the 'Total' column do not include the benefits and loads beyond the system boundaries as represented in 'Module D'.

Date of issue: 31.03.2026

Validity period: 5 Years

Document in compliance with ISO 14021

« Environmental labels and declarations - Self-declared environmental claims (Type II environmental labelling) »