

Technical change to 1856120000 + 2622370000

Dear Madam or Sir,

the product 1856120000 (SAIE-M12S-5-0.5U-PG9) + 2622370000 (SAIE-M12S-5-1.0U-PG9) will be changed after a transitional period.

Please pass on this Product Change Notification (PCN) to your employees and, if applicable, to your customers.

1. General overview

Type of change: **short-term** (executed within the next 6 months)
 normal (executed after 6 months)

Short-term action due to:

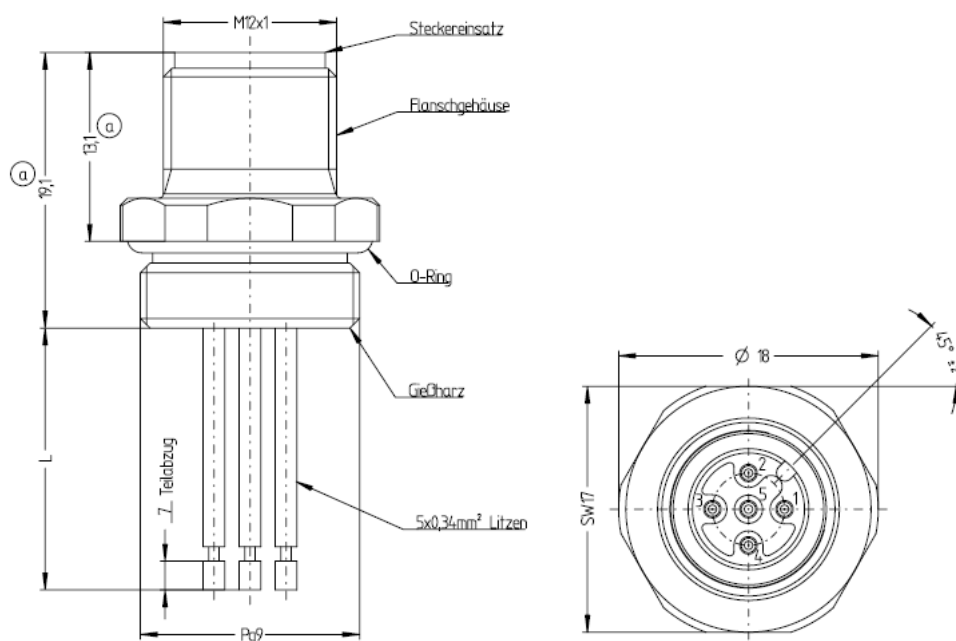
- | | |
|--|--|
| <input type="checkbox"/> Software or firmware bugfix | <input type="checkbox"/> Delivery stop by supplier |
| <input type="checkbox"/> Short-term recall by supplier | <input type="checkbox"/> Force majeure |
| <input type="checkbox"/> Product improvement | <input checked="" type="checkbox"/> other |

Short-term action due to:

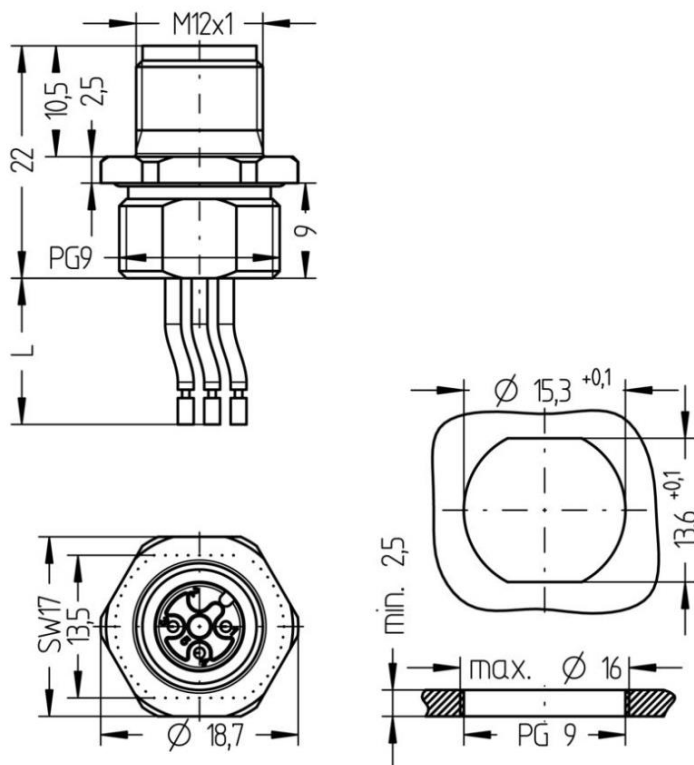
- Change to lead-free

2. Change details

1856120000 + 2622370000 Old:



1856120000 + 2622370000 New:



3. Affected parts

Material number	Short description
1856120000	SAIE-M12S-5-0.5U-PG9
2622370000	SAIE-M12S-5-1.0U-PG9

4. Timeline

The conversion of the products will take place in production immediately.
Due to existing inventory, mixed stock deliveries may occur.

We hope that the changes will benefit your business and will not affect you in any significant way. We apologise in case of any inconvenience caused. Please rest assured that we will do everything possible to achieve this product change as smoothly as possible with minimum or no business disruption.

For further questions please contact your sales office directly. All contacts for sales representatives are available here: <https://www.weidmueller.com/contact>

Details of this and any other product changes can also be found in our Support Center by following the link: <https://support.weidmueller.com/support-center/popular-resources/product-change-notifications>

Best regards

Product Management

Weidmüller Interface GmbH & Co. KG

Klingenbergstraße 26 | 32758 Detmold | Germany

www.weidmueller.com

in    