

Terminal blocks

Fuse

PUSH IN

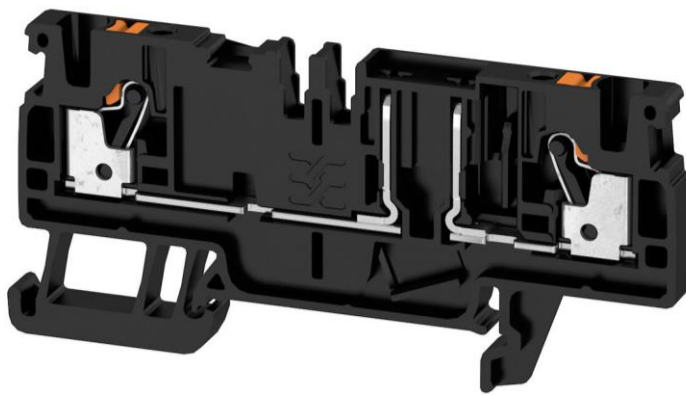
Weidmüller Interface GmbH & Co. KG

Klingenbergstraße 26

D-32758 Detmold

Germany

www.weidmüller.com



General data

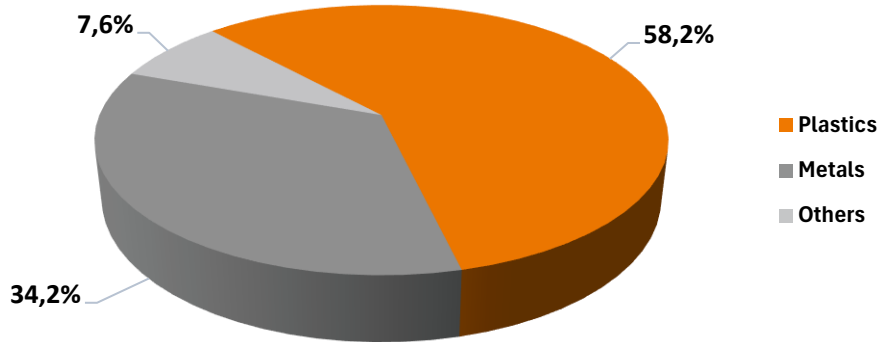
Reference product	2466530000 AFS 2.5 CF 2C BK
Description of the product	The Weidmüller fuse terminal blocks with PUSH IN technology reduce wiring time by up to 50% through direct conductor insertion while maintaining high pull-out forces and secure electrical contact. Integrated fuse holders ensure consistent overload protection for circuits used in control and distribution systems. A wide accessory range enables flexible configuration within modular terminal block assemblies.
Functional unit	Connect 2 clamping units between 2 or more wires for a rated cross-section 2.5 mm ² , with rated voltage 400 V, rated current 10 A, and a voltage drop 3,3 mV, according to the appropriate use scenario, and for the reference service life of the product of 20 years.

Other products covered

2831500000	2817000000	2816970000	2816980000	2816990000
2816960000	2831510000	2817050000	2817020000	2817030000
2817040000	2817010000	2466610000	2466600000	2434390000
2675290000	2429870000	2675260000	2434350000	2675270000
2434380000	2675280000	2429860000	2548140000	2675250000
2831910000	2898820000	2898790000	2898800000	2898810000
2898780000				

Constituent Materials

The total weight of the reference product is 9,86 g (including packaging material). The constituent materials are distributed as follows:



Categorisation according to the material classes of IEC 62474:

Plastics			Metals			Other		
M-208	Polyamide (PA)	56,7 %	M-121	Copper and its alloys	34,2 %	M-341	Paper	7,6 %
M-258	Polyamide (PA)	1,5 %						
Plastics in total		58,2 %	Metals in total		34,2 %	Others in total		7,6 %

The products are in compliance with RoHS (EU Directive 2011/65/EU).

According to the REACH Regulation 1907/2006, the ECHA publishes on its website which substances are to be classified as so-called substances of very high concern (SVHC). As soon as an article contains SVHC above the respective threshold values for the declaration obligation according to Article 33, the affected articles and the SVHC they contain are published in the online product catalogue at each product.

The online product catalogue site of the reference product can be accessed via the link:

<https://eshop.weidmueller.com/p/2466530000>

Additional Environmental Information

Manufacture	This stage includes the manufacturing of the product and its packaging as well as the transport to the manufacturer's last logistics platform located in Hörselbach-Hainich (Germany). The final assembly site is located in Romania. Transport packaging, used in addition to product packaging when required for delivery, is excluded from the system boundaries.
Distribution	The shipment is made from the distribution centre to the customer by truck. The transport route to the customer was assumed to be 3500 km by lorry.
Installation	Only the disposal of the packaging is considered in this phase, as the installation is carried out manually with non-electrical tools.
Use	No maintenance or utilities are required during use. The power consumption was calculated according to the use scenario below.
End of Life	The end-of-life stage is modelled based on the data from Eurostat. The transport route to the disposal company was assumed to be 1000 km by lorry.

Environmental Impacts

Reference Service Lifetime	20 years			
Product category	Electrical switchgear and control gear solutions			
Installation elements	No special installation elements required.			
Use scenario	<p>During the use phase, the product dissipates some electricity due to power losses. The average power loss was calculated using the following assumptions according PSR:</p> <ul style="list-style-type: none"> - RSL of 20 years; - Load rate: 30 % of the rated current - Use rate: 90 % RSL. 			
Geographical representativeness	Europe			
Software	Sphera LCA for Experts, v10.9.4.13			
Database	Sphera MLC Databases 2025.2			
Energy model	Manufacture*	Installation	Use	End of Life
	Romania	-	Europe	Europe

*Energy model of the final assembly site.

The following tables represent the impact values of the reference product according to DIN EN 15804:2022-03 except for the environmental indicators of output flows and information on the biogenic carbon content of the product and the associated packaging.

Environmental impact indicators

Indicator	Unit	Total*	Manufacturing A1-A3	Distribution A4	Installation A5	Use B1-B7	End of Life C1-C4	Benefits and Loads D
Climate change - total	kg CO ₂ eq.	1,92E+00	2,42E-01	2,58E-03	1,75E-04	1,67E+00	8,92E-04	-7,78E-02
Climate change - fossil	kg CO ₂ eq.	1,89E+00	2,37E-01	2,61E-03	1,25E-05	1,65E+00	7,53E-04	-7,85E-02
Climate change - biogenic	kg CO ₂ eq.	2,25E-02	5,32E-03	-5,79E-05	1,62E-04	1,69E-02	1,32E-04	1,31E-03
Climate change - land use and land use change	kg CO ₂ eq.	5,74E-03	2,64E-04	2,69E-05	6,73E-08	5,44E-03	7,13E-06	-5,28E-04
Ozone depletion	kg CFC 11 eq.	4,30E-11	5,48E-12	4,34E-16	2,22E-17	3,75E-11	1,53E-16	-2,69E-13
Acidification	mol H ⁺ eq.	4,37E-03	7,56E-04	4,05E-06	5,63E-08	3,61E-03	1,15E-06	-4,97E-04
Eutrophication - freshwater	kg P eq.	4,12E-06	5,81E-07	7,05E-09	5,53E-10	3,52E-06	5,33E-09	-2,73E-07
Eutrophication - marine aquatic	kg N eq.	1,01E-03	1,37E-04	1,65E-06	2,65E-08	8,66E-04	4,93E-07	-9,43E-05
Eutrophication - terrestrial	mol N- eq.	1,13E-02	1,60E-03	1,75E-05	2,33E-07	9,70E-03	4,98E-06	-9,98E-04
Photochemical ozone formation	kg NMVOC	2,60E-03	4,48E-04	3,61E-06	8,18E-08	2,15E-03	1,09E-06	-2,96E-04
Resource use, mineral and metals	kg Sb eq.	1,98E-05	1,94E-05	1,74E-10	7,17E-13	3,43E-07	4,65E-11	-1,63E-05
Resource use, fossils	MJ	3,72E+01	3,49E+00	3,35E-02	1,68E-04	3,36E+01	9,00E-03	-1,23E+00
Water use	m ³	4,37E-01	2,38E-02	1,20E-05	1,08E-05	4,13E-01	1,36E-05	-2,83E-02

Additional environmental impact indicators

Indicator	Unit	Total*	Manufacturing A1-A3	Distribution A4	Installation A5	Use B1-B7	End of Life C1-C4	Benefits and Loads D
Particulate matter	Disease incidences	3,65E-08	6,65E-09	3,61E-11	4,39E-13	2,98E-08	1,04E-11	-4,07E-09
Ionising radiation, human health	kBq U235 eq.	8,88E-01	1,15E-02	9,08E-06	3,55E-07	8,76E-01	2,78E-06	-3,38E-03
Ecotoxicity, freshwater	CTUe	8,84E+00	3,11E+00	4,36E-02	1,60E-04	5,67E+00	1,17E-02	-6,41E-01
Human toxicity, cancer	CTUh	6,53E-10	1,17E-10	5,88E-13	3,00E-15	5,35E-10	1,61E-13	-4,49E-11
Human toxicity, non-cancer	CTUh	1,40E-08	2,72E-09	3,29E-11	2,03E-13	1,13E-08	9,07E-12	-1,40E-09
Land Use	-	1,57E+01	2,17E+00	1,48E-02	4,59E-05	1,35E+01	3,94E-03	-1,80E-01

Resources use indicators

Indicator	Unit	Total*	Manufacturing A1-A3	Distribution A4	Installation A5	Use B1-B7	End of Life C1-C4	Benefits and Loads D
Use of renewable primary energy	MJ	2,47E+01	1,72E+00	2,53E-03	1,98E-05	2,30E+01	6,96E-04	-1,95E-01
Total use of renewable primary energy resources	MJ	2,47E+01	1,72E+00	2,53E-03	1,98E-05	2,30E+01	6,96E-04	-1,95E-01
Use of non-renewable primary energy	MJ	3,72E+01	3,49E+00	3,35E-02	1,68E-04	3,36E+01	9,00E-03	-1,23E+00
Total use of non-renewable primary energy resources	MJ	3,72E+01	3,49E+00	3,35E-02	1,68E-04	3,36E+01	9,00E-03	-1,23E+00
Input of secondary material	kg	0,00E+00	0,00E+00	0,00E+00	0,00E+00	0,00E+00	0,00E+00	0,00E+00
Use of renewable secondary fuels (RSF)	MJ	0,00E+00	0,00E+00	0,00E+00	0,00E+00	0,00E+00	0,00E+00	0,00E+00
Use of non-renewable secondary fuels (NRSF)	MJ	0,00E+00	0,00E+00	0,00E+00	0,00E+00	0,00E+00	0,00E+00	0,00E+00
Use of net fresh water	m³	2,00E-02	2,18E-03	1,25E-06	2,58E-07	1,78E-02	5,80E-07	-5,85E-04

Waste category indicators

Indicator	Unit	Total*	Manufacturing A1-A3	Distribution A4	Installation A5	Use B1-B7	End of Life C1-C4	Benefits and Loads D
Hazardous waste disposed	kg	4,77E-08	3,74E-09	1,34E-12	2,75E-14	4,39E-08	4,09E-13	-2,86E-10
Non-hazardous waste disposed	kg	5,01E-02	2,39E-02	4,68E-06	5,22E-05	2,60E-02	1,30E-04	-1,34E-03
Radioactive waste disposed	kg	5,39E-03	8,39E-05	6,32E-08	2,32E-09	5,31E-03	1,98E-08	-2,36E-05

*In accordance with the current Product Category Rules (PCR), the values presented in the 'Total' column do not include the benefits and loads beyond the system boundaries as represented in 'Module D'.

The following table represents the environmental impact indicators for products other than the reference product covered by this Environmental Product Declaration (EPD).

Product number	Life Cycle Phase	Climate change - total	Climate change - fossil	Climate change - biogenic	Climate change -land use and land use change	Ozone depletion	Acidification	Eutrophication - freshwater	Eutrophication - marine	Eutrophication - terrestrial	Photochemical ozone formation	Resource use, mineral and metals	Resource use, fossils	Water use
2831500000	Total*	1,29E+00	1,27E+00	1,01E-02	3,31E-03	3,63E-11	4,82E-03	2,64E-06	7,40E-04	8,32E-03	2,22E-03	1,15E-04	2,26E+01	2,82E-01
	Manufacturing	5,72E-01	5,69E-01	2,31E-03	9,09E-04	2,05E-11	3,28E-03	1,11E-06	3,69E-04	4,17E-03	1,30E-03	1,15E-04	8,34E+00	1,08E-01
	Distribution	9,07E-03	9,18E-03	-2,03E-04	9,46E-05	1,52E-15	1,42E-05	2,48E-08	5,79E-06	6,15E-05	1,27E-05	6,11E-10	1,18E-01	4,20E-05
	Installation	4,50E-04	3,22E-05	4,17E-04	1,73E-07	5,70E-17	1,45E-07	1,42E-09	6,82E-08	5,98E-07	2,10E-07	1,84E-12	4,33E-04	2,77E-05
	Use	7,02E-01	6,92E-01	7,12E-03	2,28E-03	1,58E-11	1,52E-03	1,48E-06	3,64E-04	4,08E-03	9,02E-04	1,44E-07	1,41E+01	1,74E-01
	End of Life	3,20E-03	2,70E-03	4,73E-04	2,56E-05	5,48E-16	4,12E-06	1,91E-08	1,77E-06	1,79E-05	3,92E-06	1,67E-10	3,23E-02	4,89E-05
	Module D	-3,04E-01	-3,06E-01	4,43E-03	-2,52E-03	-1,05E-12	-2,30E-03	-1,21E-06	-4,00E-04	-4,25E-03	-1,24E-03	-7,82E-05	4,64E+00	-1,35E-01
2817000000 2816970000 2816980000	Total*	1,35E+00	1,33E+00	1,04E-02	3,47E-03	3,70E-11	5,09E-03	2,89E-06	7,88E-04	8,85E-03	2,36E-03	1,25E-04	2,35E+01	3,00E-01
	Manufacturing	6,34E-01	6,30E-01	2,58E-03	1,06E-03	2,12E-11	3,55E-03	1,36E-06	4,16E-04	4,69E-03	1,44E-03	1,25E-04	9,20E+00	1,27E-01
	Distribution	9,17E-03	9,28E-03	-2,06E-04	9,56E-05	1,54E-15	1,44E-05	2,50E-08	5,85E-06	6,21E-05	1,28E-05	6,18E-10	1,19E-01	4,25E-05
	Installation	4,50E-04	3,22E-05	4,17E-04	1,73E-07	5,70E-17	1,45E-07	1,42E-09	6,82E-08	5,98E-07	2,10E-07	1,84E-12	4,33E-04	2,77E-05
	Use	7,02E-01	6,92E-01	7,12E-03	2,28E-03	1,58E-11	1,52E-03	1,48E-06	3,64E-04	4,08E-03	9,02E-04	1,44E-07	1,41E+01	1,74E-01
	End of Life	3,24E-03	2,74E-03	4,79E-04	2,59E-05	5,54E-16	4,17E-06	1,94E-08	1,79E-06	1,81E-05	3,97E-06	1,69E-10	3,27E-02	4,94E-05
	Module D	-3,59E-01	-3,60E-01	4,20E-03	-2,66E-03	-1,72E-12	-2,53E-03	-1,44E-06	-4,43E-04	-4,72E-03	-1,36E-03	-8,80E-05	5,41E+00	-1,51E-01
2816990000	Total*	1,35E+00	1,34E+00	1,04E-02	3,47E-03	3,70E-11	5,22E-03	2,89E-06	7,91E-04	8,88E-03	2,38E-03	1,25E-04	2,35E+01	3,01E-01
	Manufacturing	6,35E-01	6,32E-01	2,60E-03	1,07E-03	2,12E-11	3,68E-03	1,36E-06	4,20E-04	4,73E-03	1,46E-03	1,25E-04	9,23E+00	1,27E-01
	Distribution	9,17E-03	9,28E-03	-2,06E-04	9,56E-05	1,54E-15	1,44E-05	2,50E-08	5,85E-06	6,21E-05	1,28E-05	6,18E-10	1,19E-01	4,25E-05
	Installation	4,50E-04	3,22E-05	4,17E-04	1,73E-07	5,70E-17	1,45E-07	1,42E-09	6,82E-08	5,98E-07	2,10E-07	1,84E-12	4,33E-04	2,77E-05
	Use	7,02E-01	6,92E-01	7,12E-03	2,28E-03	1,58E-11	1,52E-03	1,48E-06	3,64E-04	4,08E-03	9,02E-04	1,44E-07	1,41E+01	1,74E-01
	End of Life	3,24E-03	2,74E-03	4,79E-04	2,59E-05	5,54E-16	4,17E-06	1,94E-08	1,79E-06	1,81E-05	3,97E-06	1,69E-10	3,27E-02	4,94E-05
	Module D	-3,60E-01	-3,62E-01	4,18E-03	-2,66E-03	-1,73E-12	-2,65E-03	-1,44E-06	-4,46E-04	-4,76E-03	-1,38E-03	-8,81E-05	5,43E+00	-1,52E-01
2816960000	Total*	1,29E+00	1,27E+00	1,01E-02	3,31E-03	3,63E-11	4,82E-03	2,64E-06	7,40E-04	8,32E-03	2,22E-03	1,15E-04	2,26E+01	2,82E-01
	Manufacturing	5,72E-01	5,69E-01	2,31E-03	9,09E-04	2,05E-11	3,28E-03	1,11E-06	3,69E-04	4,17E-03	1,30E-03	1,15E-04	8,34E+00	1,08E-01
	Distribution	9,07E-03	9,18E-03	-2,04E-04	9,46E-05	1,53E-15	1,42E-05	2,48E-08	5,79E-06	6,15E-05	1,27E-05	6,11E-10	1,18E-01	4,20E-05
	Installation	4,50E-04	3,22E-05	4,17E-04	1,73E-07	5,70E-17	1,45E-07	1,42E-09	6,82E-08	5,98E-07	2,10E-07	1,84E-12	4,33E-04	2,77E-05
	Use	7,02E-01	6,92E-01	7,12E-03	2,28E-03	1,58E-11	1,52E-03	1,48E-06	3,64E-04	4,08E-03	9,02E-04	1,44E-07	1,41E+01	1,74E-01
	End of Life	3,20E-03	2,71E-03	4,73E-04	2,56E-05	5,48E-16	4,12E-06	1,92E-08	1,77E-06	1,79E-05	3,92E-06	1,67E-10	3,24E-02	4,89E-05

	Module D	-3,04E-01	-3,06E-01	4,43E-03	-2,52E-03	-1,05E-12	-2,30E-03	-1,21E-06	-4,00E-04	-4,25E-03	-1,24E-03	-7,82E-05	4,64E+00	-1,35E-01
2831510000	Total*	6,99E-01	6,94E-01	3,40E-03	1,40E-03	2,53E-11	4,02E-03	1,38E-06	4,48E-04	5,03E-03	1,53E-03	1,38E-04	1,04E+01	1,43E-01
	Manufacturing	6,21E-01	6,18E-01	2,01E-03	1,06E-03	2,39E-11	3,86E-03	1,19E-06	4,07E-04	4,58E-03	1,43E-03	1,38E-04	8,92E+00	1,27E-01
	Distribution	9,89E-03	1,00E-02	-2,22E-04	1,03E-04	1,66E-15	1,55E-05	2,70E-08	6,31E-06	6,70E-05	1,38E-05	6,66E-10	1,28E-01	4,58E-05
	Installation	4,72E-04	3,38E-05	4,38E-04	1,81E-07	5,98E-17	1,52E-07	1,49E-09	7,16E-08	6,27E-07	2,21E-07	1,93E-12	4,54E-04	2,91E-05
	Use	6,40E-02	6,32E-02	6,49E-04	2,09E-04	1,44E-12	1,38E-04	1,35E-07	3,32E-05	3,72E-04	8,24E-05	1,31E-08	1,29E+00	1,58E-02
	End of Life	3,50E-03	2,95E-03	5,17E-04	2,80E-05	5,98E-16	4,50E-06	2,09E-08	1,93E-06	1,95E-05	4,29E-06	1,82E-10	3,53E-02	5,34E-05
	Module D	-3,44E-01	-3,46E-01	5,00E-03	-3,09E-03	-1,22E-12	-2,77E-03	-1,44E-06	-4,66E-04	-4,96E-03	-1,44E-03	-9,58E-05	5,16E+00	-1,62E-01
2817050000	Total*	7,29E-01	7,24E-01	3,35E-03	1,46E-03	2,54E-11	4,22E-03	1,56E-06	4,79E-04	5,38E-03	1,63E-03	1,49E-04	1,06E+01	1,54E-01
	Manufacturing	6,83E-01	6,79E-01	2,29E-03	1,22E-03	2,46E-11	4,13E-03	1,44E-06	4,54E-04	5,10E-03	1,57E-03	1,49E-04	9,80E+00	1,46E-01
	Distribution	1,00E-02	1,01E-02	-2,24E-04	1,04E-04	1,68E-15	1,57E-05	2,73E-08	6,39E-06	6,78E-05	1,40E-05	6,74E-10	1,30E-01	4,63E-05
	Installation	4,72E-04	3,38E-05	4,38E-04	1,81E-07	5,98E-17	1,52E-07	1,49E-09	7,16E-08	6,27E-07	2,21E-07	1,93E-12	4,54E-04	2,91E-05
	Use	3,20E-02	3,16E-02	3,25E-04	1,04E-04	7,20E-13	6,92E-05	6,75E-08	1,66E-05	1,86E-04	4,12E-05	6,57E-09	6,45E-01	7,92E-03
	End of Life	3,54E-03	2,99E-03	5,23E-04	2,83E-05	6,06E-16	4,56E-06	2,12E-08	1,96E-06	1,98E-05	4,34E-06	1,85E-10	3,58E-02	5,40E-05
	Module D	-3,99E-01	-4,01E-01	4,76E-03	-3,22E-03	-1,89E-12	-3,01E-03	-1,67E-06	-5,09E-04	-5,44E-03	-1,56E-03	-1,06E-04	5,94E+00	-1,79E-01
2817020000	Total*	7,01E-01	6,97E-01	3,07E-03	1,37E-03	2,48E-11	4,16E-03	1,50E-06	4,65E-04	5,22E-03	1,60E-03	1,49E-04	1,01E+01	1,47E-01
	Manufacturing	6,83E-01	6,79E-01	2,29E-03	1,22E-03	2,46E-11	4,13E-03	1,44E-06	4,54E-04	5,10E-03	1,57E-03	1,49E-04	9,80E+00	1,46E-01
	Distribution	1,00E-02	1,01E-02	-2,24E-04	1,04E-04	1,68E-15	1,57E-05	2,73E-08	6,39E-06	6,78E-05	1,40E-05	6,74E-10	1,30E-01	4,63E-05
	Installation	4,72E-04	3,38E-05	4,38E-04	1,81E-07	5,98E-17	1,52E-07	1,49E-09	7,16E-08	6,27E-07	2,21E-07	1,93E-12	4,54E-04	2,91E-05
	Use	4,61E-03	4,55E-03	4,68E-05	1,50E-05	1,04E-13	9,96E-06	9,73E-09	2,39E-06	2,68E-05	5,93E-06	9,46E-10	9,28E-02	1,14E-03
	End of Life	3,54E-03	2,99E-03	5,23E-04	2,83E-05	6,06E-16	4,56E-06	2,12E-08	1,96E-06	1,98E-05	4,34E-06	1,85E-10	3,58E-02	5,40E-05
	Module D	-3,99E-01	-4,01E-01	4,76E-03	-3,22E-03	-1,89E-12	-3,01E-03	-1,67E-06	-5,09E-04	-5,44E-03	-1,56E-03	-1,06E-04	5,94E+00	-1,79E-01
2817030000	Total*	7,06E-01	7,01E-01	3,12E-03	1,38E-03	2,49E-11	4,17E-03	1,51E-06	4,67E-04	5,24E-03	1,60E-03	1,49E-04	1,01E+01	1,48E-01
	Manufacturing	6,83E-01	6,79E-01	2,29E-03	1,22E-03	2,46E-11	4,13E-03	1,44E-06	4,54E-04	5,10E-03	1,57E-03	1,49E-04	9,80E+00	1,46E-01
	Distribution	1,00E-02	1,01E-02	-2,24E-04	1,04E-04	1,68E-15	1,57E-05	2,73E-08	6,39E-06	6,78E-05	1,40E-05	6,74E-10	1,30E-01	4,63E-05
	Installation	4,72E-04	3,38E-05	4,38E-04	1,81E-07	5,98E-17	1,52E-07	1,49E-09	7,16E-08	6,27E-07	2,21E-07	1,93E-12	4,54E-04	2,91E-05
	Use	8,96E-03	8,84E-03	9,09E-05	2,92E-05	2,01E-13	1,94E-05	1,89E-08	4,65E-06	5,21E-05	1,15E-05	1,84E-09	1,80E-01	2,22E-03
	End of Life	3,54E-03	2,99E-03	5,23E-04	2,83E-05	6,06E-16	4,56E-06	2,12E-08	1,96E-06	1,98E-05	4,34E-06	1,85E-10	3,58E-02	5,40E-05
	Module D	-3,99E-01	-4,01E-01	4,76E-03	-3,22E-03	-1,89E-12	-3,01E-03	-1,67E-06	-5,09E-04	-5,44E-03	-1,56E-03	-1,06E-04	5,94E+00	-1,79E-01
2817040000	Total*	7,18E-01	7,13E-01	3,24E-03	1,42E-03	2,51E-11	4,32E-03	1,53E-06	4,76E-04	5,34E-03	1,63E-03	1,49E-04	1,04E+01	1,51E-01
	Manufacturing	6,85E-01	6,81E-01	2,31E-03	1,22E-03	2,46E-11	4,26E-03	1,44E-06	4,58E-04	5,14E-03	1,59E-03	1,49E-04	9,82E+00	1,46E-01
	Distribution	1,00E-02	1,01E-02	-2,24E-04	1,04E-04	1,68E-15	1,57E-05	2,73E-08	6,39E-06	6,78E-05	1,40E-05	6,74E-10	1,30E-01	4,63E-05
	Installation	4,72E-04	3,38E-05	4,38E-04	1,81E-07	5,98E-17	1,52E-07	1,49E-09	7,16E-08	6,27E-07	2,21E-07	1,93E-12	4,54E-04	2,91E-05
	Use	1,92E-02	1,89E-02	1,95E-04	6,26E-05	4,32E-13	4,15E-05	4,05E-08	9,96E-06	1,12E-04	2,47E-05	3,94E-09	3,87E-01	4,75E-03
	End of Life	3,54E-03	2,99E-03	5,23E-04	2,83E-05	6,06E-16	4,56E-06	2,12E-08	1,96E-06	1,98E-05	4,34E-06	1,85E-10	3,58E-02	5,40E-05
	Module D	-4,01E-01	-4,02E-01	4,75E-03	-3,23E-03	-1,89E-12	-3,13E-03	-1,67E-06	-5,12E-04	-5,48E-03	-1,58E-03	-1,06E-04	5,96E+00	-1,79E-01
2817010000	Total*	6,99E-01	6,95E-01	3,40E-03	1,41E-03	2,53E-11	4,02E-03	1,38E-06	4,48E-04	5,04E-03	1,53E-03	1,38E-04	1,04E+01	1,43E-01
	Manufacturing	6,22E-01	6,18E-01	2,01E-03	1,07E-03	2,39E-11	3,86E-03	1,19E-06	4,07E-04	4,58E-03	1,43E-03	1,38E-04	8,94E+00	1,27E-01

	Distribution	9,91E-03	1,00E-02	-2,22E-04	1,03E-04	1,67E-15	1,55E-05	2,71E-08	6,33E-06	6,72E-05	1,38E-05	6,67E-10	1,29E-01	4,59E-05
	Installation	4,72E-04	3,38E-05	4,38E-04	1,81E-07	5,98E-17	1,52E-07	1,49E-09	7,16E-08	6,27E-07	2,21E-07	1,93E-12	4,54E-04	2,91E-05
	Use	6,40E-02	6,32E-02	6,49E-04	2,09E-04	1,44E-12	1,38E-04	1,35E-07	3,32E-05	3,72E-04	8,24E-05	1,31E-08	1,29E+00	1,58E-02
	End of Life	3,51E-03	2,96E-03	5,18E-04	2,80E-05	6,00E-16	4,51E-06	2,10E-08	1,94E-06	1,96E-05	4,29E-06	1,83E-10	3,54E-02	5,35E-05
	Module D	-3,44E-01	-3,46E-01	5,00E-03	-3,09E-03	-1,22E-12	-2,77E-03	-1,44E-06	-4,66E-04	-4,97E-03	-1,44E-03	-9,58E-05	5,17E+00	-1,62E-01
2466610000	Total*	2,01E+00	1,98E+00	2,44E-02	5,81E-03	4,47E-11	4,57E-03	4,35E-06	1,06E-03	1,20E-02	2,79E-03	1,99E-05	3,85E+01	4,40E-01
	Manufacturing	3,32E-01	3,24E-01	7,24E-03	3,32E-04	7,17E-12	9,57E-04	8,13E-07	1,88E-04	2,26E-03	6,36E-04	1,96E-05	4,85E+00	2,65E-02
	Distribution	2,69E-03	2,73E-03	-6,04E-05	2,81E-05	4,53E-16	4,22E-06	7,36E-09	1,72E-06	1,83E-05	3,76E-06	1,82E-10	3,50E-02	1,25E-05
	Installation	1,75E-04	1,25E-05	1,62E-04	6,73E-08	2,22E-17	5,63E-08	5,53E-10	2,65E-08	2,33E-07	8,18E-08	7,17E-13	1,68E-04	1,08E-05
	Use	1,67E+00	1,65E+00	1,69E-02	5,44E-03	3,75E-11	3,61E-03	3,52E-06	8,66E-04	9,70E-03	2,15E-03	3,43E-07	3,36E+01	4,13E-01
	End of Life	9,34E-04	7,89E-04	1,38E-04	7,47E-06	1,60E-16	1,20E-06	5,58E-09	5,16E-07	5,21E-06	1,14E-06	4,87E-11	9,43E-03	1,42E-05
	Module D	-8,00E-02	-8,08E-02	1,33E-03	-5,31E-04	-2,79E-13	-5,09E-04	-2,77E-07	-9,66E-05	-1,02E-03	-3,03E-04	-1,63E-05	1,27E+00	-2,94E-02
2466600000	Total*	2,01E+00	1,98E+00	2,46E-02	5,81E-03	4,47E-11	4,57E-03	4,35E-06	1,06E-03	1,20E-02	2,79E-03	1,99E-05	3,85E+01	4,40E-01
	Manufacturing	3,32E-01	3,24E-01	7,40E-03	3,31E-04	7,17E-12	9,56E-04	8,11E-07	1,88E-04	2,25E-03	6,36E-04	1,96E-05	4,85E+00	2,65E-02
	Distribution	2,67E-03	2,70E-03	-5,99E-05	2,78E-05	4,49E-16	4,18E-06	7,29E-09	1,70E-06	1,81E-05	3,73E-06	1,80E-10	3,46E-02	1,24E-05
	Installation	1,53E-04	1,09E-05	1,42E-04	5,86E-08	1,93E-17	4,91E-08	4,82E-10	2,31E-08	2,03E-07	7,13E-08	6,24E-13	1,47E-04	9,39E-06
	Use	1,67E+00	1,65E+00	1,69E-02	5,44E-03	3,75E-11	3,61E-03	3,52E-06	8,66E-04	9,70E-03	2,15E-03	3,43E-07	3,36E+01	4,13E-01
	End of Life	9,34E-04	7,89E-04	1,38E-04	7,47E-06	1,60E-16	1,20E-06	5,58E-09	5,16E-07	5,21E-06	1,14E-06	4,87E-11	9,43E-03	1,42E-05
	Module D	-8,00E-02	-8,07E-02	1,19E-03	-5,31E-04	-2,79E-13	-5,09E-04	-2,75E-07	-9,65E-05	-1,02E-03	-3,03E-04	-1,63E-05	1,27E+00	-2,94E-02
2434390000	Total*	9,91E-01	9,60E-01	2,92E-02	1,70E-03	2,39E-11	3,08E-03	2,66E-06	5,88E-04	6,58E-03	1,64E-03	8,34E-05	1,46E+01	1,36E-01
	Manufacturing	7,60E-01	7,33E-01	2,65E-02	9,00E-04	1,89E-11	2,59E-03	2,16E-06	4,68E-04	5,24E-03	1,35E-03	8,34E-05	9,97E+00	8,03E-02
	Distribution	5,50E-03	5,56E-03	-1,23E-04	5,73E-05	9,24E-16	8,61E-06	1,50E-08	3,51E-06	3,73E-05	7,68E-06	3,70E-10	7,13E-02	2,55E-05
	Installation	2,91E-04	2,08E-05	2,70E-04	1,12E-07	3,68E-17	9,35E-08	9,18E-10	4,41E-08	3,86E-07	1,36E-07	1,19E-12	2,80E-04	1,79E-05
	Use	2,23E-01	2,20E-01	2,26E-03	7,27E-04	5,02E-12	4,82E-04	4,71E-07	1,16E-04	1,30E-03	2,87E-04	4,58E-08	4,49E+00	5,52E-02
	End of Life	1,93E-03	1,63E-03	2,86E-04	1,54E-05	3,31E-16	2,49E-06	1,16E-08	1,07E-06	1,08E-05	2,37E-06	1,01E-10	1,95E-02	2,95E-05
	Module D	-2,60E-01	-2,61E-01	2,77E-03	-2,02E-03	-1,44E-12	-1,91E-03	-1,11E-06	-3,23E-04	-3,46E-03	-9,88E-04	-6,84E-05	3,84E+00	-1,15E-01
2675290000 2675270000	Total*	9,91E-01	9,60E-01	2,92E-02	1,68E-03	2,39E-11	3,07E-03	2,66E-06	5,88E-04	6,58E-03	1,64E-03	8,34E-05	1,45E+01	1,35E-01
	Manufacturing	7,60E-01	7,32E-01	2,65E-02	8,83E-04	1,89E-11	2,58E-03	2,16E-06	4,67E-04	5,23E-03	1,35E-03	8,34E-05	9,96E+00	7,95E-02
	Distribution	5,50E-03	5,56E-03	-1,23E-04	5,73E-05	9,24E-16	8,61E-06	1,50E-08	3,51E-06	3,73E-05	7,68E-06	3,70E-10	7,13E-02	2,55E-05
	Installation	2,91E-04	2,08E-05	2,70E-04	1,12E-07	3,68E-17	9,35E-08	9,18E-10	4,41E-08	3,86E-07	1,36E-07	1,19E-12	2,80E-04	1,79E-05
	Use	2,23E-01	2,20E-01	2,26E-03	7,27E-04	5,02E-12	4,82E-04	4,71E-07	1,16E-04	1,30E-03	2,87E-04	4,58E-08	4,49E+00	5,52E-02
	End of Life	1,93E-03	1,63E-03	2,86E-04	1,54E-05	3,31E-16	2,49E-06	1,16E-08	1,07E-06	1,08E-05	2,37E-06	1,01E-10	1,95E-02	2,95E-05
	Module D	-2,61E-01	-2,62E-01	2,78E-03	-2,02E-03	-1,44E-12	-1,91E-03	-1,10E-06	-3,24E-04	-3,47E-03	-9,92E-04	-6,82E-05	3,87E+00	-1,15E-01
2429870000	Total*	9,91E-01	9,60E-01	2,92E-02	1,70E-03	2,39E-11	3,08E-03	2,66E-06	5,88E-04	6,58E-03	1,64E-03	8,34E-05	1,46E+01	1,36E-01
	Manufacturing	7,60E-01	7,33E-01	2,65E-02	9,00E-04	1,89E-11	2,59E-03	2,16E-06	4,68E-04	5,24E-03	1,35E-03	8,34E-05	9,97E+00	8,03E-02
	Distribution	5,50E-03	5,56E-03	-1,23E-04	5,73E-05	9,24E-16	8,61E-06	1,50E-08	3,51E-06	3,73E-05	7,68E-06	3,70E-10	7,13E-02	2,55E-05
	Installation	2,91E-04	2,08E-05	2,70E-04	1,12E-07	3,68E-17	9,35E-08	9,18E-10	4,41E-08	3,86E-07	1,36E-07	1,19E-12	2,80E-04	1,79E-05
	Use	2,23E-01	2,20E-01	2,26E-03	7,27E-04	5,02E-12	4,82E-04	4,71E-07	1,16E-04	1,30E-03	2,87E-04	4,58E-08	4,49E+00	5,52E-02

	End of Life	1,93E-03	1,63E-03	2,86E-04	1,55E-05	3,31E-16	2,49E-06	1,16E-08	1,07E-06	1,08E-05	2,37E-06	1,01E-10	1,95E-02	2,95E-05
	Module D	-2,60E-01	-2,61E-01	2,77E-03	-2,02E-03	-1,44E-12	-1,91E-03	-1,11E-06	-3,23E-04	-3,46E-03	-9,88E-04	-6,84E-05	3,84E+00	-1,15E-01
2675260000	Total*	9,91E-01	9,60E-01	2,92E-02	1,68E-03	2,39E-11	3,07E-03	2,66E-06	5,88E-04	6,58E-03	1,64E-03	8,34E-05	1,45E+01	1,35E-01
	Manufacturing	7,60E-01	7,32E-01	2,65E-02	8,83E-04	1,89E-11	2,58E-03	2,16E-06	4,67E-04	5,23E-03	1,35E-03	8,34E-05	9,96E+00	7,95E-02
	Distribution	5,50E-03	5,56E-03	-1,23E-04	5,73E-05	9,24E-16	8,61E-06	1,50E-08	3,51E-06	3,73E-05	7,68E-06	3,70E-10	7,13E-02	2,55E-05
	Installation	2,91E-04	2,08E-05	2,70E-04	1,12E-07	3,68E-17	9,35E-08	9,18E-10	4,41E-08	3,86E-07	1,36E-07	1,19E-12	2,80E-04	1,79E-05
	Use	2,23E-01	2,20E-01	2,26E-03	7,27E-04	5,02E-12	4,82E-04	4,71E-07	1,16E-04	1,30E-03	2,87E-04	4,58E-08	4,49E+00	5,52E-02
	End of Life	1,93E-03	1,63E-03	2,86E-04	1,55E-05	3,31E-16	2,49E-06	1,16E-08	1,07E-06	1,08E-05	2,37E-06	1,01E-10	1,95E-02	2,95E-05
	Module D	-2,61E-01	-2,62E-01	2,78E-03	-2,02E-03	-1,44E-12	-1,91E-03	-1,10E-06	-3,24E-04	-3,47E-03	-9,92E-04	-6,82E-05	3,87E+00	-1,15E-01
2434350000	Total*	9,87E-01	9,56E-01	2,92E-02	1,68E-03	2,39E-11	3,07E-03	2,66E-06	5,86E-04	6,56E-03	1,64E-03	8,34E-05	1,45E+01	1,35E-01
	Manufacturing	7,56E-01	7,29E-01	2,65E-02	8,81E-04	1,89E-11	2,57E-03	2,16E-06	4,66E-04	5,22E-03	1,34E-03	8,34E-05	9,89E+00	7,94E-02
	Distribution	5,50E-03	5,56E-03	-1,23E-04	5,73E-05	9,24E-16	8,61E-06	1,50E-08	3,51E-06	3,73E-05	7,68E-06	3,70E-10	7,13E-02	2,55E-05
	Installation	2,91E-04	2,08E-05	2,70E-04	1,12E-07	3,68E-17	9,35E-08	9,18E-10	4,41E-08	3,86E-07	1,36E-07	1,19E-12	2,80E-04	1,79E-05
	Use	2,23E-01	2,20E-01	2,26E-03	7,27E-04	5,02E-12	4,82E-04	4,71E-07	1,16E-04	1,30E-03	2,87E-04	4,58E-08	4,49E+00	5,52E-02
	End of Life	1,93E-03	1,63E-03	2,86E-04	1,54E-05	3,31E-16	2,49E-06	1,16E-08	1,07E-06	1,08E-05	2,37E-06	1,01E-10	1,95E-02	2,95E-05
	Module D	-2,60E-01	-2,61E-01	2,77E-03	-2,02E-03	-1,44E-12	-1,91E-03	-1,11E-06	-3,23E-04	-3,46E-03	-9,88E-04	-6,84E-05	3,84E+00	-1,15E-01
2434380000	Total*	9,89E-01	9,58E-01	2,92E-02	1,69E-03	2,39E-11	3,20E-03	2,66E-06	5,89E-04	6,60E-03	1,65E-03	8,35E-05	1,45E+01	1,35E-01
	Manufacturing	7,58E-01	7,30E-01	2,65E-02	8,86E-04	1,89E-11	2,70E-03	2,16E-06	4,69E-04	5,25E-03	1,36E-03	8,35E-05	9,92E+00	7,98E-02
	Distribution	5,50E-03	5,56E-03	-1,23E-04	5,73E-05	9,24E-16	8,61E-06	1,50E-08	3,51E-06	3,73E-05	7,68E-06	3,70E-10	7,13E-02	2,55E-05
	Installation	2,91E-04	2,08E-05	2,70E-04	1,12E-07	3,68E-17	9,35E-08	9,18E-10	4,41E-08	3,86E-07	1,36E-07	1,19E-12	2,80E-04	1,79E-05
	Use	2,23E-01	2,20E-01	2,26E-03	7,27E-04	5,02E-12	4,82E-04	4,71E-07	1,16E-04	1,30E-03	2,87E-04	4,58E-08	4,49E+00	5,52E-02
	End of Life	1,93E-03	1,63E-03	2,86E-04	1,54E-05	3,31E-16	2,49E-06	1,16E-08	1,07E-06	1,08E-05	2,37E-06	1,01E-10	1,95E-02	2,95E-05
	Module D	-2,61E-01	-2,62E-01	2,75E-03	-2,03E-03	-1,45E-12	-2,02E-03	-1,10E-06	-3,26E-04	-3,49E-03	-1,00E-03	-6,85E-05	3,86E+00	-1,15E-01
2675280000	Total*	9,97E-01	9,66E-01	2,92E-02	1,71E-03	2,39E-11	3,21E-03	2,66E-06	5,93E-04	6,63E-03	1,67E-03	8,35E-05	1,46E+01	1,36E-01
	Manufacturing	7,66E-01	7,38E-01	2,65E-02	9,06E-04	1,89E-11	2,72E-03	2,16E-06	4,72E-04	5,29E-03	1,37E-03	8,35E-05	1,01E+01	8,07E-02
	Distribution	5,50E-03	5,56E-03	-1,23E-04	5,73E-05	9,24E-16	8,61E-06	1,50E-08	3,51E-06	3,73E-05	7,68E-06	3,70E-10	7,13E-02	2,55E-05
	Installation	2,91E-04	2,08E-05	2,70E-04	1,12E-07	3,68E-17	9,35E-08	9,18E-10	4,41E-08	3,86E-07	1,36E-07	1,19E-12	2,80E-04	1,79E-05
	Use	2,23E-01	2,20E-01	2,26E-03	7,27E-04	5,02E-12	4,82E-04	4,71E-07	1,16E-04	1,30E-03	2,87E-04	4,58E-08	4,49E+00	5,52E-02
	End of Life	1,93E-03	1,63E-03	2,86E-04	1,54E-05	3,31E-16	2,49E-06	1,16E-08	1,07E-06	1,08E-05	2,37E-06	1,01E-10	1,95E-02	2,95E-05
	Module D	-2,63E-01	-2,64E-01	2,76E-03	-2,02E-03	-1,44E-12	-2,02E-03	-1,10E-06	-3,27E-04	-3,50E-03	-1,01E-03	-6,83E-05	3,89E+00	-1,15E-01
2429860000	Total*	9,30E-01	8,99E-01	2,89E-02	1,55E-03	2,32E-11	2,81E-03	2,41E-06	5,40E-04	6,06E-03	1,51E-03	7,28E-05	1,37E+01	1,17E-01
	Manufacturing	6,99E-01	6,72E-01	2,62E-02	7,47E-04	1,82E-11	2,31E-03	1,91E-06	4,20E-04	4,71E-03	1,21E-03	7,28E-05	9,11E+00	6,16E-02
	Distribution	5,40E-03	5,47E-03	-1,21E-04	5,63E-05	9,08E-16	8,47E-06	1,48E-08	3,45E-06	3,66E-05	7,55E-06	3,64E-10	7,01E-02	2,50E-05
	Installation	2,91E-04	2,08E-05	2,70E-04	1,12E-07	3,68E-17	9,35E-08	9,18E-10	4,41E-08	3,86E-07	1,36E-07	1,19E-12	2,80E-04	1,79E-05
	Use	2,23E-01	2,20E-01	2,26E-03	7,27E-04	5,02E-12	4,82E-04	4,71E-07	1,16E-04	1,30E-03	2,87E-04	4,58E-08	4,49E+00	5,52E-02
	End of Life	1,90E-03	1,60E-03	2,80E-04	1,52E-05	3,25E-16	2,44E-06	1,13E-08	1,05E-06	1,06E-05	2,33E-06	9,89E-11	1,92E-02	2,90E-05
	Module D	-2,07E-01	-2,08E-01	2,99E-03	-1,89E-03	-7,95E-13	-1,68E-03	-8,80E-07	-2,82E-04	-3,00E-03	-8,68E-04	-5,89E-05	3,10E+00	-9,83E-02
2548140000	Total*	9,25E-01	8,95E-01	2,89E-02	1,53E-03	2,31E-11	2,79E-03	2,40E-06	5,39E-04	6,04E-03	1,50E-03	7,28E-05	1,36E+01	1,16E-01

	Manufacturing	6,95E-01	6,68E-01	2,62E-02	7,28E-04	1,81E-11	2,30E-03	1,91E-06	4,18E-04	4,69E-03	1,20E-03	7,28E-05	9,03E+00	6,08E-02
	Distribution	5,40E-03	5,47E-03	-1,21E-04	5,63E-05	9,08E-16	8,47E-06	1,48E-08	3,45E-06	3,66E-05	7,55E-06	3,64E-10	7,01E-02	2,50E-05
	Installation	2,91E-04	2,08E-05	2,70E-04	1,12E-07	3,68E-17	9,35E-08	9,18E-10	4,41E-08	3,86E-07	1,36E-07	1,19E-12	2,80E-04	1,79E-05
	Use	2,23E-01	2,20E-01	2,26E-03	7,27E-04	5,02E-12	4,82E-04	4,71E-07	1,16E-04	1,30E-03	2,87E-04	4,58E-08	4,49E+00	5,52E-02
	End of Life	1,90E-03	1,60E-03	2,80E-04	1,52E-05	3,25E-16	2,44E-06	1,13E-08	1,05E-06	1,06E-05	2,33E-06	9,89E-11	1,92E-02	2,90E-05
	Module D	-2,07E-01	-2,08E-01	2,99E-03	-1,89E-03	-7,95E-13	-1,68E-03	-8,80E-07	-2,82E-04	-3,00E-03	-8,68E-04	-5,89E-05	-	-9,83E-02
2675250000	Total*	9,29E-01	8,99E-01	2,89E-02	1,53E-03	2,32E-11	2,80E-03	2,41E-06	5,40E-04	6,05E-03	1,51E-03	7,28E-05	1,37E+01	1,16E-01
	Manufacturing	6,99E-01	6,72E-01	2,62E-02	7,30E-04	1,81E-11	2,30E-03	1,91E-06	4,20E-04	4,71E-03	1,21E-03	7,28E-05	9,10E+00	6,08E-02
	Distribution	5,40E-03	5,47E-03	-1,21E-04	5,63E-05	9,08E-16	8,47E-06	1,48E-08	3,45E-06	3,66E-05	7,55E-06	3,64E-10	7,01E-02	2,50E-05
	Installation	2,91E-04	2,08E-05	2,70E-04	1,12E-07	3,68E-17	9,35E-08	9,18E-10	4,41E-08	3,86E-07	1,36E-07	1,19E-12	2,80E-04	1,79E-05
	Use	2,23E-01	2,20E-01	2,26E-03	7,27E-04	5,02E-12	4,82E-04	4,71E-07	1,16E-04	1,30E-03	2,87E-04	4,58E-08	4,49E+00	5,52E-02
	End of Life	1,90E-03	1,60E-03	2,80E-04	1,52E-05	3,25E-16	2,44E-06	1,13E-08	1,05E-06	1,06E-05	2,33E-06	9,89E-11	1,92E-02	2,90E-05
	Module D	-2,09E-01	-2,10E-01	3,00E-03	-1,89E-03	-7,99E-13	-1,68E-03	-8,81E-07	-2,83E-04	-3,02E-03	-8,73E-04	-5,88E-05	-	-9,83E-02
2831910000	Total*	7,75E-01	7,46E-01	2,78E-02	1,20E-03	1,63E-11	1,68E-03	2,12E-06	4,23E-04	4,80E-03	1,13E-03	2,93E-05	1,16E+01	7,66E-02
	Manufacturing	5,47E-01	5,22E-01	2,52E-02	4,29E-04	1,13E-11	1,19E-03	1,63E-06	3,04E-04	3,47E-03	8,32E-04	2,92E-05	7,05E+00	2,13E-02
	Distribution	3,46E-03	3,50E-03	-7,76E-05	3,61E-05	5,81E-16	5,42E-06	9,44E-09	2,21E-06	2,34E-05	4,83E-06	2,33E-10	4,49E-02	1,60E-05
	Installation	1,94E-04	1,39E-05	1,80E-04	7,44E-08	2,45E-17	6,23E-08	6,12E-10	2,94E-08	2,57E-07	9,06E-08	7,93E-13	1,86E-04	1,19E-05
	Use	2,23E-01	2,20E-01	2,26E-03	7,27E-04	5,02E-12	4,82E-04	4,71E-07	1,16E-04	1,30E-03	2,87E-04	4,58E-08	4,49E+00	5,52E-02
	End of Life	1,21E-03	1,02E-03	1,79E-04	9,68E-06	2,07E-16	1,56E-06	7,24E-09	6,69E-07	6,76E-06	1,48E-06	6,32E-11	1,22E-02	1,85E-05
	Module D	-1,23E-01	-1,23E-01	1,85E-03	-1,05E-03	-4,87E-13	-9,35E-04	-4,99E-07	-1,61E-04	-1,71E-03	-4,98E-04	-3,25E-05	-	-5,37E-02
2898820000 2898790000 2898800000 2898810000	Total*	1,34E+00	1,33E+00	7,69E-03	3,86E-03	2,78E-11	3,36E-03	2,94E-06	7,99E-04	8,93E-03	2,16E-03	2,18E-05	2,57E+01	3,13E-01
	Manufacturing	2,85E-01	2,89E-01	-3,88E-03	3,76E-04	4,14E-12	1,08E-03	6,96E-07	2,50E-04	2,78E-03	7,99E-04	2,16E-05	4,44E+00	5,21E-02
	Distribution	4,48E-03	4,53E-03	-1,00E-04	4,67E-05	7,53E-16	7,02E-06	1,22E-08	2,86E-06	3,04E-05	6,26E-06	3,02E-10	5,81E-02	2,08E-05
	Installation	8,71E-04	6,23E-05	8,09E-04	3,35E-07	1,10E-16	2,80E-07	2,75E-09	1,32E-07	1,16E-06	4,07E-07	3,57E-12	8,38E-04	5,37E-05
	Use	1,05E+00	1,04E+00	1,07E-02	3,43E-03	2,37E-11	2,27E-03	2,22E-06	5,45E-04	6,11E-03	1,35E-03	2,16E-07	2,12E+01	2,60E-01
	End of Life	1,31E-03	1,11E-03	1,94E-04	1,05E-05	2,24E-16	1,69E-06	7,83E-09	7,24E-07	7,31E-06	1,60E-06	6,83E-11	1,32E-02	2,00E-05
	Module D	-1,54E-01	-1,59E-01	4,93E-03	-3,44E-04	-9,22E-13	-5,71E-04	-4,36E-07	-1,40E-04	-1,49E-03	-4,37E-04	-1,51E-05	-	-3,80E-02
2898780000	Total*	1,28E+00	1,27E+00	7,35E-03	3,71E-03	2,70E-11	3,10E-03	2,69E-06	7,52E-04	8,41E-03	2,02E-03	1,13E-05	2,49E+01	2,96E-01
	Manufacturing	2,26E-01	2,30E-01	-4,22E-03	2,27E-04	3,36E-12	8,14E-04	4,44E-07	2,03E-04	2,26E-03	6,63E-04	1,10E-05	3,61E+00	3,53E-02
	Distribution	4,39E-03	4,44E-03	-9,84E-05	4,57E-05	7,37E-16	6,87E-06	1,20E-08	2,80E-06	2,97E-05	6,13E-06	2,95E-10	5,69E-02	2,03E-05
	Installation	8,71E-04	6,23E-05	8,09E-04	3,35E-07	1,10E-16	2,80E-07	2,75E-09	1,32E-07	1,16E-06	4,07E-07	3,57E-12	8,38E-04	5,37E-05
	Use	1,05E+00	1,04E+00	1,07E-02	3,43E-03	2,37E-11	2,27E-03	2,22E-06	5,45E-04	6,11E-03	1,35E-03	2,16E-07	2,12E+01	2,60E-01
	End of Life	1,27E-03	1,08E-03	1,88E-04	1,02E-05	2,18E-16	1,64E-06	7,62E-09	7,04E-07	7,11E-06	1,56E-06	6,64E-11	1,29E-02	1,94E-05
	Module D	-9,93E-02	-1,04E-01	5,19E-03	-2,12E-04	-2,49E-13	-3,40E-04	-2,27E-07	-9,71E-05	-1,01E-03	-3,13E-04	-5,05E-06	-	-2,10E-02

Please obtain the units from the table of the reference article.

*In accordance with the current Product Category Rules (PCR), the values presented in the 'Total' column do not include the benefits and loads beyond the system boundaries as represented in 'Module D'.

Date of issue: 31.03.2026

Validity period: 5 Years

Document in compliance with ISO 14021

« Environmental labels and declarations - Self-declared environmental claims (Type II environmental labelling) »
