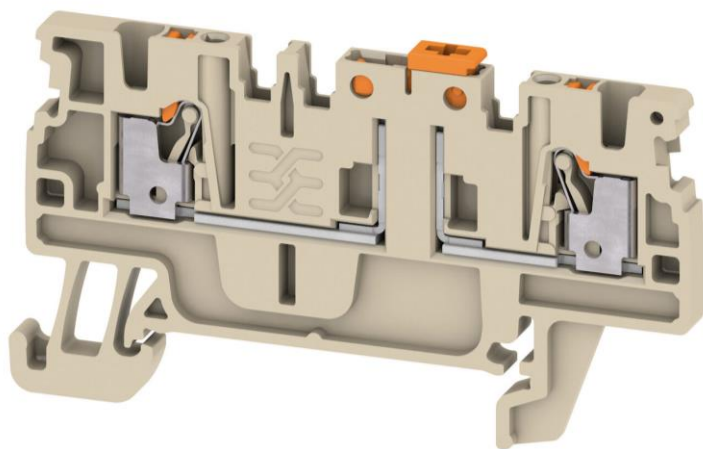


Terminal blocks
Test disconnect
PUSH IN

Weidmüller Interface GmbH & Co. KG
 Klingenbergstraße 26
 D-32758 Detmold
 Germany

www.weidmüller.com



General data

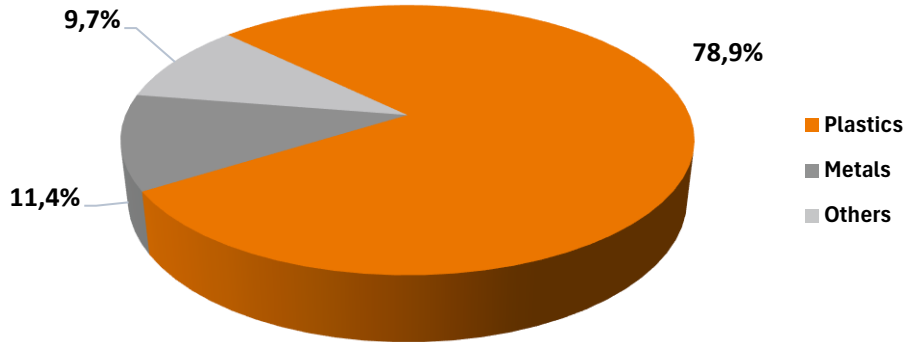
Reference product	2918260000 ADT 1.5 2C
Description of the product	The Weidmüller test-disconnect terminal blocks with PUSH IN technology provide integrated test points or disconnect elements to support reliable and safe circuit testing. They ensure voltage-free measurement of electric circuits. Although the disconnecting point is not evaluated by dimensional clearance and creepage distance, compliance with the rated impulse voltage strength is required.
Functional unit	Connect 2 clamping units between 2 or more wires for a rated cross-section 1.5 mm ² , with rated voltage 400 V, rated current 10 A, and a voltage drop 4,3 mV, according to the appropriate use scenario, and for the reference service life of the product of 20 years.

Other products covered

1989900000	1989910000	1989920000	1989890000	2744110000
2744120000	3111430000	2744130000	2744140000	2831520000
2831540000	2831530000	2831550000	2941210000	2918270000
2941220000	2918280000	2941230000	1989800000	1989810000
2675210000	2675220000	1989820000	1989930000	2430040000
1989830000	1989840000	1989850000	1989940000	1989860000
1989870000	2675230000	1989880000	1989950000	2429850000
2429880000	2675240000	2429890000	2898660000	2898670000
2898680000	2898690000	2898700000	2898710000	2898720000
2898730000	2898740000	2898750000	2898760000	2898770000

Constituent Materials

The total weight of the reference product is 5,4 g (including packaging material). The constituent materials are distributed as follows:



Categorisation according to the material classes of IEC 62474:

Plastics			Metals			Other		
M-208	Polyamide (PA)	76,9 %	M-121	Copper and its alloys	8,8 %	M-341	Paper	9,7 %
M-258	Polyamide (PA)	2 %	M-100	Stainless steel	2,7 %			
Plastics in total		78,9 %	Metals in total		11,4 %	Others in total		9,7 %

The products are in compliance with RoHS (EU Directive 2011/65/EU).

According to the REACH Regulation 1907/2006, the ECHA publishes on its website which substances are to be classified as so-called substances of very high concern (SVHC). As soon as an article contains SVHC above the respective threshold values for the declaration obligation according to Article 33, the affected articles and the SVHC they contain are published in the online product catalogue at each product.

The online product catalogue site of the reference product can be accessed via the link:

<https://eshop.weidmueller.com/p/2918260000>

Additional Environmental Information

Manufacture	This stage includes the manufacturing of the product and its packaging as well as the transport to the manufacturer's last logistics platform located in Hörselbach-Hainich (Germany). The final assembly site is located in Romania. Transport packaging, used in addition to product packaging when required for delivery, is excluded from the system boundaries.
Distribution	The shipment is made from the distribution centre to the customer by truck. The transport route to the customer was assumed to be 3500 km by lorry.
Installation	Only the disposal of the packaging is considered in this phase, as the installation is carried out manually with non-electrical tools.
Use	No maintenance or utilities are required during use. The power consumption was calculated according to the use scenario below.
End of Life	The end-of-life stage is modelled based on the data from Eurostat. The transport route to the disposal company was assumed to be 1000 km by lorry.

Environmental Impacts

Reference Service Lifetime	20 years			
Product category	Electrical switchgear and control gear solutions			
Installation elements	No special installation elements required.			
Use scenario	<p>During the use phase, the product dissipates some electricity due to power losses. The average power loss was calculated using the following assumptions according PSR:</p> <ul style="list-style-type: none"> - RSL of 20 years; - Load rate: 30 % of the rated current - Use rate: 90 % RSL. 			
Geographical representativeness	Europe			
Software	Sphera LCA for Experts, v10.9.4.13			
Database	Sphera MLC Databases 2025.2			
Energy model	Manufacture*	Installation	Use	End of Life
	Romania	-	Europe	Europe

*Energy model of the final assembly site.

The following tables represent the impact values of the reference product according to DIN EN 15804:2022-03 except for the environmental indicators of output flows and information on the biogenic carbon content of the product and the associated packaging.

Environmental impact indicators

Indicator	Unit	Total*	Manufacturing A1-A3	Distribution A4	Installation A5	Use B1-B7	End of Life C1-C4	Benefits and Loads D
Climate change - total	kg CO ₂ eq.	2,25E+00	7,51E-02	1,08E-03	9,30E-05	2,18E+00	3,65E-04	-4,53E-02
Climate change - fossil	kg CO ₂ eq.	2,22E+00	7,43E-02	1,09E-03	6,66E-06	2,15E+00	3,08E-04	-4,57E-02
Climate change - biogenic	kg CO ₂ eq.	2,29E-02	6,83E-04	-2,42E-05	8,63E-05	2,21E-02	5,39E-05	7,50E-04
Climate change - land use and land use change	kg CO ₂ eq.	7,22E-03	1,20E-04	1,13E-05	3,57E-08	7,09E-03	2,92E-06	-3,19E-04
Ozone depletion	kg CFC 11 eq.	5,10E-11	2,10E-12	1,82E-16	1,18E-17	4,89E-11	6,25E-17	-1,51E-13
Acidification	mol H ⁺ eq.	5,06E-03	3,53E-04	1,69E-06	2,99E-08	4,70E-03	4,70E-07	-2,99E-04
Eutrophication - freshwater	kg P eq.	4,74E-06	1,40E-07	2,95E-09	2,94E-10	4,59E-06	2,18E-09	-1,62E-07
Eutrophication - marine aquatic	kg N eq.	1,17E-03	4,38E-05	6,90E-07	1,41E-08	1,13E-03	2,02E-07	-5,58E-05
Eutrophication - terrestrial	mol N- eq.	1,31E-02	4,73E-04	7,33E-06	1,24E-07	1,26E-02	2,04E-06	-5,91E-04
Photochemical ozone formation	kg NMVOC	2,94E-03	1,41E-04	1,51E-06	4,35E-08	2,80E-03	4,47E-07	-1,75E-04
Resource use, mineral and metals	kg Sb eq.	1,30E-05	1,25E-05	7,28E-11	3,81E-13	4,46E-07	1,90E-11	-9,83E-06
Resource use, fossils	MJ	4,49E+01	1,09E+00	1,40E-02	8,95E-05	4,38E+01	3,69E-03	-7,15E-01
Water use	m ³	5,54E-01	1,56E-02	5,01E-06	5,73E-06	5,38E-01	5,57E-06	-1,72E-02

Additional environmental impact indicators

Indicator	Unit	Total*	Manufacturing A1-A3	Distribution A4	Installation A5	Use B1-B7	End of Life C1-C4	Benefits and Loads D
Particulate matter	Disease incidences	4,19E-08	3,00E-09	1,51E-11	2,33E-13	3,89E-08	4,25E-12	-2,48E-09
Ionising radiation, human health	kBq U235 eq.	1,15E+00	4,06E-03	3,80E-06	1,88E-07	1,14E+00	1,14E-06	-1,97E-03
Ecotoxicity, freshwater	CTUe	7,99E+00	5,77E-01	1,82E-02	8,50E-05	7,39E+00	4,79E-03	-3,73E-01
Human toxicity, cancer	CTUh	7,38E-10	4,05E-11	2,46E-13	1,59E-15	6,97E-10	6,58E-14	-6,04E-11
Human toxicity, non-cancer	CTUh	1,60E-08	1,32E-09	1,38E-11	1,08E-13	1,47E-08	3,71E-12	-8,43E-10
Land Use	-	1,82E+01	6,74E-01	6,20E-03	2,44E-05	1,76E+01	1,61E-03	-1,06E-01

Resources use indicators

Indicator	Unit	Total*	Manufacturing A1-A3	Distribution A4	Installation A5	Use B1-B7	End of Life C1-C4	Benefits and Loads D
Use of renewable primary energy	MJ	3,04E+01	4,09E-01	1,06E-03	1,05E-05	3,00E+01	2,85E-04	-1,13E-01
Total use of renewable primary energy resources	MJ	3,04E+01	4,09E-01	1,06E-03	1,05E-05	3,00E+01	2,85E-04	-1,13E-01
Use of non-renewable primary energy	MJ	4,49E+01	1,09E+00	1,40E-02	8,95E-05	4,38E+01	3,69E-03	-7,15E-01
Total use of non-renewable primary energy resources	MJ	4,49E+01	1,09E+00	1,40E-02	8,95E-05	4,38E+01	3,69E-03	-7,15E-01
Input of secondary material	kg	0,00E+00	0,00E+00	0,00E+00	0,00E+00	0,00E+00	0,00E+00	0,00E+00
Use of renewable secondary fuels (RSF)	MJ	0,00E+00	0,00E+00	0,00E+00	0,00E+00	0,00E+00	0,00E+00	0,00E+00
Use of non-renewable secondary fuels (NRSF)	MJ	0,00E+00	0,00E+00	0,00E+00	0,00E+00	0,00E+00	0,00E+00	0,00E+00
Use of net fresh water	m³	2,40E-02	6,98E-04	5,23E-07	1,37E-07	2,33E-02	2,38E-07	-3,57E-04

Waste category indicators

Indicator	Unit	Total*	Manufacturing A1-A3	Distribution A4	Installation A5	Use B1-B7	End of Life C1-C4	Benefits and Loads D
Hazardous waste disposed	kg	5,81E-08	8,54E-10	5,63E-13	1,46E-14	5,73E-08	1,68E-13	-3,21E-08
Non-hazardous waste disposed	kg	4,64E-02	1,24E-02	1,96E-06	2,77E-05	3,39E-02	5,34E-05	-8,05E-04
Radioactive waste disposed	kg	6,95E-03	3,38E-05	2,65E-08	1,23E-09	6,91E-03	8,11E-09	-1,39E-05

*In accordance with the current Product Category Rules (PCR), the values presented in the 'Total' column do not include the benefits and loads beyond the system boundaries as represented in 'Module D'.

The following table represents the environmental impact indicators for products other than the reference product covered by this Environmental Product Declaration (EPD).

Product number	Life Cycle Phase	Climate change - total	Climate change - fossil	Climate change - biogenic	Climate change -land use and land use change	Ozone depletion	Acidification	Eutrophication - freshwater	Eutrophication - marine	Eutrophication - terrestrial	Photochemical ozone formation	Resource use, mineral and metals	Resource use, fossils	Water use
1989900000	Total*	2,68E+00	2,64E+00	2,92E-02	8,47E-03	5,98E-11	5,88E-03	5,70E-06	1,39E-03	1,56E-02	3,49E-03	1,15E-05	5,32E+01	6,44E-01
	Manufacturing	1,25E-01	1,22E-01	3,05E-03	1,29E-04	2,50E-12	3,62E-04	3,06E-07	6,91E-05	7,53E-04	2,04E-04	1,10E-05	1,75E+00	1,26E-02
	Distribution	2,33E-03	2,35E-03	-5,22E-05	2,43E-05	3,91E-16	3,65E-06	6,36E-09	1,49E-06	1,58E-05	3,25E-06	1,57E-10	3,02E-02	1,08E-05
	Installation	1,76E-04	1,26E-05	1,64E-04	6,78E-08	2,23E-17	5,67E-08	5,57E-10	2,67E-08	2,34E-07	8,24E-08	7,22E-13	1,70E-04	1,09E-05
	Use	2,55E+00	2,52E+00	2,59E-02	8,31E-03	5,73E-11	5,51E-03	5,38E-06	1,32E-03	1,48E-02	3,28E-03	5,23E-07	5,14E+01	6,31E-01
	End of Life	7,96E-04	6,72E-04	1,18E-04	6,36E-06	1,36E-16	1,02E-06	4,76E-09	4,40E-07	4,44E-06	9,75E-07	4,15E-11	8,04E-03	1,21E-05
	Module D	-6,26E-02	-6,35E-02	1,22E-03	-3,30E-04	-1,93E-13	-3,43E-04	-1,89E-07	-7,07E-05	-7,46E-04	-2,24E-04	-9,91E-06	1,02E+00	-2,01E-02
1989910000 1989920000	Total*	2,68E+00	2,65E+00	2,92E-02	8,47E-03	5,99E-11	5,89E-03	5,71E-06	1,40E-03	1,56E-02	3,50E-03	1,15E-05	5,32E+01	6,44E-01
	Manufacturing	1,30E-01	1,27E-01	3,07E-03	1,32E-04	2,51E-12	3,68E-04	3,12E-07	7,10E-05	7,72E-04	2,11E-04	1,10E-05	1,84E+00	1,27E-02
	Distribution	2,47E-03	2,50E-03	-5,54E-05	2,57E-05	4,15E-16	3,87E-06	6,74E-09	1,58E-06	1,67E-05	3,45E-06	1,66E-10	3,20E-02	1,14E-05
	Installation	1,76E-04	1,26E-05	1,64E-04	6,78E-08	2,23E-17	5,67E-08	5,57E-10	2,67E-08	2,34E-07	8,24E-08	7,22E-13	1,70E-04	1,09E-05
	Use	2,55E+00	2,52E+00	2,59E-02	8,31E-03	5,73E-11	5,51E-03	5,38E-06	1,32E-03	1,48E-02	3,28E-03	5,23E-07	5,14E+01	6,31E-01
	End of Life	8,49E-04	7,17E-04	1,25E-04	6,79E-06	1,45E-16	1,09E-06	5,07E-09	4,69E-07	4,74E-06	1,04E-06	4,43E-11	8,57E-03	1,30E-05
	Module D	-6,74E-02	-6,83E-02	1,22E-03	-3,32E-04	-2,03E-13	-3,53E-04	-1,95E-07	-7,47E-05	-7,87E-04	-2,37E-04	-9,91E-06	1,10E+00	-2,07E-02
1989890000	Total*	2,64E-01	2,60E-01	3,22E-03	6,31E-04	9,77E-12	1,43E-03	5,61E-07	1,61E-04	1,76E-03	4,90E-04	5,18E-05	3,94E+00	6,06E-02
	Manufacturing	1,95E-01	1,93E-01	2,28E-03	3,80E-04	8,33E-12	1,29E-03	4,10E-07	1,25E-04	1,36E-03	4,02E-04	5,18E-05	2,60E+00	4,47E-02
	Distribution	3,20E-03	3,24E-03	-7,19E-05	3,34E-05	5,39E-16	5,02E-06	8,75E-09	2,05E-06	2,17E-05	4,48E-06	2,16E-10	4,16E-02	1,48E-05
	Installation	2,15E-04	1,54E-05	1,99E-04	8,25E-08	2,72E-17	6,91E-08	6,79E-10	3,26E-08	2,85E-07	1,00E-07	8,79E-13	2,07E-04	1,32E-05
	Use	6,40E-02	6,32E-02	6,49E-04	2,09E-04	1,44E-12	1,38E-04	1,35E-07	3,32E-05	3,72E-04	8,24E-05	1,31E-08	1,29E+00	1,58E-02
	End of Life	1,11E-03	9,36E-04	1,64E-04	8,86E-06	1,90E-16	1,43E-06	6,62E-09	6,12E-07	6,18E-06	1,36E-06	5,78E-11	1,12E-02	1,69E-05
	Module D	-1,15E-01	-1,16E-01	2,05E-03	-1,26E-03	-4,65E-13	-1,06E-03	-5,64E-07	-1,70E-04	-1,81E-03	-5,20E-04	-3,97E-05	1,70E+00	-6,04E-02
2744110000	Total*	3,88E+00	3,84E+00	2,95E-02	1,33E-02	8,32E-11	1,04E-02	6,83E-06	1,97E-03	2,18E-02	5,20E-03	6,64E-05	7,61E+01	9,29E-01
	Manufacturing	9,59E-01	9,56E-01	-6,00E-04	3,77E-03	1,77E-11	4,12E-03	6,49E-07	4,53E-04	4,86E-03	1,44E-03	6,58E-05	1,73E+01	2,07E-01
	Distribution	5,70E-03	5,77E-03	-1,28E-04	5,95E-05	9,59E-16	8,94E-06	1,56E-08	3,64E-06	3,87E-05	7,97E-06	3,84E-10	7,40E-02	2,64E-05
	Installation	3,42E-04	2,45E-05	3,18E-04	1,31E-07	4,33E-17	1,10E-07	1,08E-09	5,19E-08	4,55E-07	1,60E-07	1,40E-12	3,29E-04	2,11E-05
	Use	2,92E+00	2,88E+00	2,96E-02	9,49E-03	6,55E-11	6,30E-03	6,15E-06	1,51E-03	1,69E-02	3,75E-03	5,98E-07	5,87E+01	7,21E-01
	End of Life	1,99E-03	1,68E-03	2,94E-04	1,59E-05	3,40E-16	2,56E-06	1,19E-08	1,10E-06	1,11E-05	2,44E-06	1,04E-10	2,01E-02	3,03E-05

	Module D	-1,82E-01	-1,83E-01	3,12E-03	-1,55E-03	-6,41E-13	-1,38E-03	-7,39E-07	-2,41E-04	-2,56E-03	-7,47E-04	-4,81E-05	2,79E+00	-7,94E-02
2744120000	Total*	3,88E+00	3,84E+00	2,95E-02	1,33E-02	8,32E-11	1,04E-02	6,83E-06	1,97E-03	2,19E-02	5,20E-03	6,64E-05	7,61E+01	9,29E-01
	Manufacturing	9,59E-01	9,56E-01	-5,99E-04	3,77E-03	1,77E-11	4,12E-03	6,49E-07	4,53E-04	4,86E-03	1,44E-03	6,58E-05	1,73E+01	2,07E-01
	Distribution	5,71E-03	5,78E-03	-1,28E-04	5,95E-05	9,60E-16	8,95E-06	1,56E-08	3,65E-06	3,87E-05	7,98E-06	3,85E-10	7,41E-02	2,65E-05
	Installation	3,42E-04	2,45E-05	3,18E-04	1,31E-07	4,33E-17	1,10E-07	1,08E-09	5,19E-08	4,55E-07	1,60E-07	1,40E-12	3,29E-04	2,11E-05
	Use	2,92E+00	2,88E+00	2,96E-02	9,49E-03	6,55E-11	6,30E-03	6,15E-06	1,51E-03	1,69E-02	3,75E-03	5,98E-07	5,87E+01	7,21E-01
	End of Life	1,99E-03	1,68E-03	2,94E-04	1,59E-05	3,41E-16	2,56E-06	1,19E-08	1,10E-06	1,11E-05	2,44E-06	1,04E-10	2,01E-02	3,04E-05
	Module D	-1,82E-01	-1,84E-01	3,12E-03	-1,55E-03	-6,41E-13	-1,38E-03	-7,40E-07	-2,41E-04	-2,56E-03	-7,48E-04	-4,81E-05	2,80E+00	-7,94E-02
3111430000	Total*	3,89E+00	3,84E+00	2,95E-02	1,33E-02	8,32E-11	1,04E-02	6,84E-06	1,97E-03	2,19E-02	5,21E-03	6,64E-05	7,61E+01	9,29E-01
	Manufacturing	9,63E-01	9,60E-01	-5,88E-04	3,77E-03	1,77E-11	4,13E-03	6,55E-07	4,55E-04	4,88E-03	1,45E-03	6,58E-05	1,73E+01	2,08E-01
	Distribution	5,70E-03	5,77E-03	-1,28E-04	5,95E-05	9,59E-16	8,94E-06	1,56E-08	3,64E-06	3,87E-05	7,97E-06	3,84E-10	7,40E-02	2,64E-05
	Installation	3,42E-04	2,45E-05	3,18E-04	1,31E-07	4,33E-17	1,10E-07	1,08E-09	5,19E-08	4,55E-07	1,60E-07	1,40E-12	3,29E-04	2,11E-05
	Use	2,92E+00	2,88E+00	2,96E-02	9,49E-03	6,55E-11	6,30E-03	6,15E-06	1,51E-03	1,69E-02	3,75E-03	5,98E-07	5,87E+01	7,21E-01
	End of Life	1,99E-03	1,68E-03	2,94E-04	1,59E-05	3,40E-16	2,56E-06	1,19E-08	1,10E-06	1,11E-05	2,44E-06	1,04E-10	2,01E-02	3,03E-05
	Module D	-1,84E-01	-1,86E-01	3,13E-03	-1,54E-03	-6,45E-13	-1,38E-03	-7,41E-07	-2,42E-04	-2,57E-03	-7,53E-04	-4,79E-05	2,84E+00	-7,95E-02
2744130000	Total*	3,76E+00	3,72E+00	2,87E-02	1,29E-02	7,86E-11	9,81E-03	6,59E-06	1,90E-03	2,10E-02	4,99E-03	4,74E-05	7,39E+01	8,93E-01
	Manufacturing	9,16E-01	9,13E-01	-5,31E-04	3,63E-03	1,49E-11	3,68E-03	5,83E-07	4,23E-04	4,53E-03	1,33E-03	4,68E-05	1,67E+01	1,92E-01
	Distribution	5,14E-03	5,20E-03	-1,15E-04	5,36E-05	8,64E-16	8,06E-06	1,40E-08	3,28E-06	3,48E-05	7,18E-06	3,46E-10	6,67E-02	2,38E-05
	Installation	3,42E-04	2,45E-05	3,18E-04	1,31E-07	4,33E-17	1,10E-07	1,08E-09	5,19E-08	4,55E-07	1,60E-07	1,40E-12	3,29E-04	2,11E-05
	Use	2,83E+00	2,80E+00	2,87E-02	9,23E-03	6,37E-11	6,13E-03	5,98E-06	1,47E-03	1,65E-02	3,65E-03	5,81E-07	5,71E+01	7,01E-01
	End of Life	1,78E-03	1,50E-03	2,63E-04	1,42E-05	3,04E-16	2,29E-06	1,06E-08	9,82E-07	9,92E-06	2,18E-06	9,27E-11	1,80E-02	2,71E-05
	Module D	-1,52E-01	-1,54E-01	2,84E-03	-1,11E-03	-5,04E-13	-1,04E-03	-5,60E-07	-1,91E-04	-2,02E-03	-5,96E-04	-3,42E-05	2,39E+00	-6,00E-02
2744140000	Total*	3,76E+00	3,72E+00	2,87E-02	1,29E-02	7,86E-11	9,82E-03	6,59E-06	1,90E-03	2,10E-02	4,99E-03	4,74E-05	7,39E+01	8,93E-01
	Manufacturing	9,16E-01	9,13E-01	-5,30E-04	3,63E-03	1,49E-11	3,68E-03	5,83E-07	4,23E-04	4,53E-03	1,33E-03	4,68E-05	1,67E+01	1,92E-01
	Distribution	5,15E-03	5,21E-03	-1,16E-04	5,37E-05	8,66E-16	8,07E-06	1,41E-08	3,29E-06	3,49E-05	7,19E-06	3,47E-10	6,69E-02	2,39E-05
	Installation	3,42E-04	2,45E-05	3,18E-04	1,31E-07	4,33E-17	1,10E-07	1,08E-09	5,19E-08	4,55E-07	1,60E-07	1,40E-12	3,29E-04	2,11E-05
	Use	2,83E+00	2,80E+00	2,87E-02	9,23E-03	6,37E-11	6,13E-03	5,98E-06	1,47E-03	1,65E-02	3,65E-03	5,81E-07	5,71E+01	7,01E-01
	End of Life	1,78E-03	1,51E-03	2,63E-04	1,42E-05	3,05E-16	2,29E-06	1,07E-08	9,85E-07	9,95E-06	2,18E-06	9,29E-11	1,80E-02	2,72E-05
	Module D	-1,52E-01	-1,54E-01	2,84E-03	-1,11E-03	-5,04E-13	-1,04E-03	-5,60E-07	-1,91E-04	-2,02E-03	-5,97E-04	-3,42E-05	2,40E+00	-6,00E-02
2831520000	Total*	3,81E+00	3,77E+00	3,31E-02	1,21E-02	9,07E-11	9,58E-03	7,92E-06	2,01E-03	2,24E-02	5,16E-03	7,66E-05	7,53E+01	9,42E-01
	Manufacturing	2,58E-01	2,61E-01	-3,55E-03	5,10E-04	1,11E-11	1,90E-03	4,06E-07	1,63E-04	1,73E-03	5,89E-04	7,59E-05	3,80E+00	6,59E-02
	Distribution	7,43E-03	7,52E-03	-1,67E-04	7,75E-05	1,25E-15	1,16E-05	2,03E-08	4,75E-06	5,04E-05	1,04E-05	5,01E-10	9,65E-02	3,44E-05
	Installation	4,93E-04	3,53E-05	4,58E-04	1,90E-07	6,25E-17	1,59E-07	1,56E-09	7,48E-08	6,56E-07	2,31E-07	2,02E-12	4,75E-04	3,04E-05
	Use	3,54E+00	3,50E+00	3,59E-02	1,15E-02	7,96E-11	7,66E-03	7,48E-06	1,84E-03	2,06E-02	4,56E-03	7,27E-07	7,13E+01	8,76E-01
	End of Life	2,57E-03	2,17E-03	3,80E-04	2,06E-05	4,40E-16	3,31E-06	1,54E-08	1,42E-06	1,43E-05	3,15E-06	1,34E-10	2,60E-02	3,92E-05
	Module D	-2,27E-01	-2,29E-01	4,24E-03	-1,80E-03	-7,72E-13	-1,65E-03	-8,81E-07	-2,93E-04	-3,11E-03	-9,12E-04	-5,56E-05	3,52E+00	-9,53E-02
2831540000	Total*	5,93E+00	5,85E+00	5,46E-02	1,90E-02	1,38E-10	1,41E-02	1,24E-05	3,10E-03	3,46E-02	7,87E-03	7,21E-05	1,18E+02	1,46E+00
	Manufacturing	2,47E-01	2,50E-01	-3,53E-03	4,84E-04	1,03E-11	1,79E-03	3,89E-07	1,55E-04	1,65E-03	5,60E-04	7,10E-05	3,66E+00	6,21E-02

	Distribution	7,25E-03	7,34E-03	-1,63E-04	7,56E-05	1,22E-15	1,14E-05	1,98E-08	4,63E-06	4,92E-05	1,01E-05	4,89E-10	9,41E-02	3,36E-05
	Installation	4,93E-04	3,53E-05	4,58E-04	1,90E-07	6,25E-17	1,59E-07	1,56E-09	7,48E-08	6,56E-07	2,31E-07	2,02E-12	4,75E-04	3,04E-05
	Use	5,67E+00	5,59E+00	5,75E-02	1,85E-02	1,27E-10	1,23E-02	1,20E-05	2,94E-03	3,29E-02	7,29E-03	1,16E-06	1,14E+02	1,40E+00
	End of Life	2,50E-03	2,11E-03	3,70E-04	2,00E-05	4,28E-16	3,22E-06	1,50E-08	1,38E-06	1,40E-05	3,07E-06	1,31E-10	2,53E-02	3,82E-05
	Module D	-2,17E-01	-2,20E-01	4,16E-03	-1,68E-03	-7,33E-13	-1,55E-03	-8,32E-07	-2,79E-04	-2,96E-03	-8,68E-04	-5,19E-05	3,39E+00	-9,00E-02
2831530000	Total*	3,51E-01	3,53E-01	-2,48E-03	8,77E-04	1,52E-11	2,57E-03	5,93E-07	2,24E-04	2,40E-03	7,76E-04	9,96E-05	5,18E+00	9,31E-02
	Manufacturing	3,08E-01	3,11E-01	-3,48E-03	6,65E-04	1,45E-11	2,48E-03	4,85E-07	2,01E-04	2,15E-03	7,20E-04	9,96E-05	4,40E+00	8,50E-02
	Distribution	8,20E-03	8,30E-03	-1,84E-04	8,55E-05	1,38E-15	1,29E-05	2,24E-08	5,24E-06	5,56E-05	1,15E-05	5,52E-10	1,06E-01	3,80E-05
	Installation	4,70E-04	3,36E-05	4,36E-04	1,81E-07	5,95E-17	1,51E-07	1,48E-09	7,12E-08	6,24E-07	2,20E-07	1,92E-12	4,52E-04	2,89E-05
	Use	3,20E-02	3,16E-02	3,25E-04	1,04E-04	7,20E-13	6,92E-05	6,75E-08	1,66E-05	1,86E-04	4,12E-05	6,57E-09	6,45E-01	7,92E-03
	End of Life	2,87E-03	2,42E-03	4,24E-04	2,29E-05	4,91E-16	3,69E-06	1,71E-08	1,58E-06	1,60E-05	3,51E-06	1,50E-10	2,90E-02	4,38E-05
	Module D	-2,67E-01	-2,69E-01	4,52E-03	-2,36E-03	-9,35E-13	-2,12E-03	-1,11E-06	-3,59E-04	-3,82E-03	-1,11E-03	-7,33E-05	4,03E+00	-1,23E-01
2831550000	Total*	3,40E-01	3,42E-01	-2,47E-03	8,49E-04	1,45E-11	2,45E-03	5,75E-07	2,16E-04	2,32E-03	7,48E-04	9,46E-05	5,04E+00	8,93E-02
	Manufacturing	2,97E-01	3,00E-01	-3,47E-03	6,38E-04	1,38E-11	2,37E-03	4,67E-07	1,93E-04	2,06E-03	6,92E-04	9,46E-05	4,26E+00	8,12E-02
	Distribution	8,03E-03	8,12E-03	-1,80E-04	8,37E-05	1,35E-15	1,26E-05	2,19E-08	5,13E-06	5,44E-05	1,12E-05	5,41E-10	1,04E-01	3,72E-05
	Installation	4,70E-04	3,36E-05	4,36E-04	1,81E-07	5,95E-17	1,51E-07	1,48E-09	7,12E-08	6,24E-07	2,20E-07	1,92E-12	4,52E-04	2,89E-05
	Use	3,20E-02	3,16E-02	3,25E-04	1,04E-04	7,20E-13	6,92E-05	6,75E-08	1,66E-05	1,86E-04	4,12E-05	6,57E-09	6,45E-01	7,92E-03
	End of Life	2,80E-03	2,37E-03	4,14E-04	2,24E-05	4,80E-16	3,61E-06	1,68E-08	1,55E-06	1,56E-05	3,43E-06	1,46E-10	2,83E-02	4,28E-05
	Module D	-2,58E-01	-2,60E-01	4,45E-03	-2,25E-03	-8,96E-13	-2,03E-03	-1,06E-06	-3,45E-04	-3,67E-03	-1,07E-03	-6,97E-05	3,90E+00	-1,18E-01
2941210000	Total*	2,25E+00	2,22E+00	2,30E-02	7,22E-03	5,10E-11	5,06E-03	4,74E-06	1,17E-03	1,31E-02	2,94E-03	1,30E-05	4,49E+01	5,54E-01
	Manufacturing	7,57E-02	7,48E-02	7,76E-04	1,19E-04	2,10E-12	3,54E-04	1,39E-07	4,39E-05	4,75E-04	1,42E-04	1,25E-05	1,10E+00	1,56E-02
	Distribution	1,08E-03	1,10E-03	-2,43E-05	1,13E-05	1,82E-16	1,70E-06	2,96E-09	6,92E-07	7,34E-06	1,51E-06	7,30E-11	1,41E-02	5,02E-06
	Installation	8,08E-05	5,78E-06	7,49E-05	3,10E-08	1,02E-17	2,60E-08	2,55E-10	1,22E-08	1,07E-07	3,77E-08	3,31E-13	7,77E-05	4,97E-06
	Use	2,18E+00	2,15E+00	2,21E-02	7,09E-03	4,89E-11	4,70E-03	4,59E-06	1,13E-03	1,26E-02	2,80E-03	4,46E-07	4,38E+01	5,38E-01
	End of Life	3,71E-04	3,14E-04	5,48E-05	2,97E-06	6,35E-17	4,78E-07	2,22E-09	2,05E-07	2,07E-06	4,55E-07	1,94E-11	3,75E-03	5,66E-06
	Module D	-4,59E-02	-4,62E-02	6,74E-04	-3,19E-04	-1,52E-13	-3,00E-04	-1,62E-07	-5,62E-05	-5,95E-04	-1,76E-04	-9,83E-06	-7,24E-01	-1,72E-02
2918270000	Total*	2,06E+00	2,03E+00	2,10E-02	6,58E-03	4,69E-11	4,69E-03	4,34E-06	1,07E-03	1,20E-02	2,70E-03	1,55E-05	4,10E+01	5,06E-01
	Manufacturing	8,54E-02	8,44E-02	8,77E-04	1,38E-04	2,52E-12	4,16E-04	1,64E-07	5,03E-05	5,44E-04	1,62E-04	1,50E-05	1,23E+00	1,75E-02
	Distribution	1,30E-03	1,32E-03	-2,92E-05	1,36E-05	2,19E-16	2,04E-06	3,55E-09	8,31E-07	8,82E-06	1,82E-06	8,76E-11	1,69E-02	6,03E-06
	Installation	1,02E-04	7,29E-06	9,45E-05	3,91E-08	1,29E-17	3,28E-08	3,22E-10	1,54E-08	1,35E-07	4,76E-08	4,17E-13	9,80E-05	6,27E-06
	Use	1,97E+00	1,95E+00	2,00E-02	6,43E-03	4,44E-11	4,27E-03	4,17E-06	1,02E-03	1,15E-02	2,54E-03	4,05E-07	3,97E+01	4,88E-01
	End of Life	4,44E-04	3,75E-04	6,55E-05	3,55E-06	7,59E-17	5,71E-07	2,65E-09	2,45E-07	2,48E-06	5,43E-07	2,31E-11	4,48E-03	6,77E-06
	Module D	-5,12E-02	-5,17E-02	8,40E-04	-3,81E-04	-1,74E-13	-3,53E-04	-1,90E-07	-6,44E-05	-6,83E-04	-2,01E-04	-1,18E-05	-8,02E-01	-2,03E-02
2941220000	Total*	2,06E+00	2,03E+00	2,11E-02	6,58E-03	4,69E-11	4,69E-03	4,34E-06	1,07E-03	1,20E-02	2,70E-03	1,55E-05	4,10E+01	5,06E-01
	Manufacturing	8,55E-02	8,44E-02	9,04E-04	1,38E-04	2,52E-12	4,16E-04	1,63E-07	5,03E-05	5,44E-04	1,62E-04	1,50E-05	1,23E+00	1,75E-02
	Distribution	1,30E-03	1,31E-03	-2,91E-05	1,35E-05	2,18E-16	2,03E-06	3,54E-09	8,28E-07	8,79E-06	1,81E-06	8,73E-11	1,68E-02	6,01E-06
	Installation	9,81E-05	7,02E-06	9,10E-05	3,77E-08	1,24E-17	3,15E-08	3,10E-10	1,49E-08	1,30E-07	4,58E-08	4,01E-13	9,43E-05	6,04E-06
	Use	1,97E+00	1,95E+00	2,00E-02	6,43E-03	4,44E-11	4,27E-03	4,17E-06	1,02E-03	1,15E-02	2,54E-03	4,05E-07	3,97E+01	4,88E-01

	End of Life	4,44E-04	3,75E-04	6,55E-05	3,55E-06	7,59E-17	5,71E-07	2,65E-09	2,45E-07	2,48E-06	5,43E-07	2,31E-11	4,48E-03	6,77E-06
	Module D	-5,12E-02	-5,17E-02	8,17E-04	-3,81E-04	-1,74E-13	-3,53E-04	-1,90E-07	-6,44E-05	-6,83E-04	-2,01E-04	-1,18E-05	-8,02E-01	-2,03E-02
2918280000	Total*	2,07E+00	2,05E+00	2,12E-02	6,61E-03	4,73E-11	4,75E-03	4,36E-06	1,08E-03	1,21E-02	2,73E-03	1,79E-05	4,12E+01	5,08E-01
	Manufacturing	9,67E-02	9,55E-02	1,02E-03	1,58E-04	2,93E-12	4,81E-04	1,89E-07	5,72E-05	6,18E-04	1,84E-04	1,75E-05	1,38E+00	1,93E-02
	Distribution	1,56E-03	1,58E-03	-3,50E-05	1,62E-05	2,62E-16	2,44E-06	4,26E-09	9,95E-07	1,06E-05	2,18E-06	1,05E-10	2,02E-02	7,22E-06
	Installation	1,15E-04	8,26E-06	1,07E-04	4,43E-08	1,46E-17	3,71E-08	3,65E-10	1,75E-08	1,53E-07	5,39E-08	4,73E-13	1,11E-04	7,11E-06
	Use	1,97E+00	1,95E+00	2,00E-02	6,43E-03	4,44E-11	4,27E-03	4,17E-06	1,02E-03	1,15E-02	2,54E-03	4,05E-07	3,97E+01	4,88E-01
	End of Life	5,34E-04	4,51E-04	7,89E-05	4,27E-06	9,14E-17	6,88E-07	3,19E-09	2,95E-07	2,98E-06	6,54E-07	2,79E-11	5,40E-03	8,15E-06
	Module D	-5,83E-02	-5,88E-02	9,61E-04	-4,43E-04	-2,00E-13	-4,08E-04	-2,19E-07	-7,39E-05	-7,84E-04	-2,31E-04	-1,37E-05	-9,11E-01	-2,35E-02
2941230000	Total*	2,07E+00	2,05E+00	2,13E-02	6,61E-03	4,73E-11	4,75E-03	4,36E-06	1,08E-03	1,21E-02	2,73E-03	1,79E-05	4,12E+01	5,08E-01
	Manufacturing	9,75E-02	9,62E-02	1,15E-03	1,57E-04	2,94E-12	4,81E-04	1,88E-07	5,73E-05	6,20E-04	1,85E-04	1,75E-05	1,39E+00	1,93E-02
	Distribution	1,56E-03	1,58E-03	-3,50E-05	1,63E-05	2,62E-16	2,45E-06	4,26E-09	9,97E-07	1,06E-05	2,18E-06	1,05E-10	2,03E-02	7,23E-06
	Installation	9,81E-05	7,02E-06	9,10E-05	3,77E-08	1,24E-17	3,15E-08	3,10E-10	1,49E-08	1,30E-07	4,58E-08	4,01E-13	9,43E-05	6,04E-06
	Use	1,97E+00	1,95E+00	2,00E-02	6,43E-03	4,44E-11	4,27E-03	4,17E-06	1,02E-03	1,15E-02	2,54E-03	4,05E-07	3,97E+01	4,88E-01
	End of Life	5,43E-04	4,58E-04	8,01E-05	4,34E-06	9,28E-17	6,98E-07	3,24E-09	3,00E-07	3,03E-06	6,64E-07	2,83E-11	5,48E-03	8,27E-06
	Module D	-5,91E-02	-5,95E-02	8,53E-04	-4,43E-04	-2,01E-13	-4,09E-04	-2,19E-07	-7,44E-05	-7,89E-04	-2,32E-04	-1,37E-05	-9,23E-01	-2,36E-02
1989800000	Total*	3,68E+00	3,62E+00	4,99E-02	1,12E-02	8,24E-11	8,03E-03	8,05E-06	1,92E-03	2,15E-02	4,79E-03	2,56E-05	7,15E+01	8,44E-01
	Manufacturing	3,33E-01	3,17E-01	1,58E-02	2,85E-04	7,30E-12	8,06E-04	9,84E-07	1,85E-04	2,05E-03	4,84E-04	2,49E-05	4,20E+00	1,74E-02
	Distribution	2,83E-03	2,87E-03	-6,35E-05	2,95E-05	4,76E-16	4,44E-06	7,74E-09	1,81E-06	1,92E-05	3,96E-06	1,91E-10	3,68E-02	1,31E-05
	Installation	1,53E-04	1,09E-05	1,42E-04	5,86E-08	1,93E-17	4,91E-08	4,82E-10	2,31E-08	2,03E-07	7,13E-08	6,24E-13	1,47E-04	9,39E-06
	Use	3,34E+00	3,30E+00	3,39E-02	1,09E-02	7,51E-11	7,22E-03	7,05E-06	1,73E-03	1,94E-02	4,30E-03	6,85E-07	6,73E+01	8,26E-01
	End of Life	9,95E-04	8,40E-04	1,47E-04	7,96E-06	1,70E-16	1,28E-06	5,95E-09	5,50E-07	5,55E-06	1,22E-06	5,19E-11	1,00E-02	1,52E-05
	Module D	-9,99E-02	-1,01E-01	1,46E-03	-8,30E-04	-3,83E-13	-7,45E-04	-3,99E-07	-1,30E-04	-1,38E-03	-4,03E-04	-2,58E-05	1,53E+00	-4,26E-02
1989810000 1989820000	Total*	3,68E+00	3,62E+00	4,99E-02	1,12E-02	8,24E-11	8,03E-03	8,05E-06	1,92E-03	2,15E-02	4,79E-03	2,56E-05	7,15E+01	8,44E-01
	Manufacturing	3,33E-01	3,17E-01	1,58E-02	2,83E-04	7,30E-12	8,06E-04	9,84E-07	1,85E-04	2,05E-03	4,84E-04	2,49E-05	4,20E+00	1,74E-02
	Distribution	2,83E-03	2,87E-03	-6,35E-05	2,95E-05	4,76E-16	4,44E-06	7,74E-09	1,81E-06	1,92E-05	3,96E-06	1,91E-10	3,68E-02	1,31E-05
	Installation	1,53E-04	1,09E-05	1,42E-04	5,86E-08	1,93E-17	4,91E-08	4,82E-10	2,31E-08	2,03E-07	7,13E-08	6,24E-13	1,47E-04	9,39E-06
	Use	3,34E+00	3,30E+00	3,39E-02	1,09E-02	7,51E-11	7,22E-03	7,05E-06	1,73E-03	1,94E-02	4,30E-03	6,85E-07	6,73E+01	8,26E-01
	End of Life	9,95E-04	8,40E-04	1,47E-04	7,96E-06	1,70E-16	1,28E-06	5,95E-09	5,50E-07	5,55E-06	1,22E-06	5,19E-11	1,00E-02	1,52E-05
	Module D	-9,99E-02	-1,01E-01	1,46E-03	-8,30E-04	-3,83E-13	-7,45E-04	-3,99E-07	-1,30E-04	-1,38E-03	-4,03E-04	-2,58E-05	1,53E+00	-4,26E-02
2675210000	Total*	3,68E+00	3,62E+00	4,99E-02	1,12E-02	8,24E-11	8,04E-03	8,05E-06	1,92E-03	2,15E-02	4,79E-03	2,56E-05	7,16E+01	8,44E-01
	Manufacturing	3,37E-01	3,20E-01	1,58E-02	2,86E-04	7,31E-12	8,10E-04	9,89E-07	1,87E-04	2,07E-03	4,89E-04	2,49E-05	4,26E+00	1,74E-02
	Distribution	2,83E-03	2,87E-03	-6,35E-05	2,95E-05	4,76E-16	4,44E-06	7,74E-09	1,81E-06	1,92E-05	3,96E-06	1,91E-10	3,68E-02	1,31E-05
	Installation	1,53E-04	1,09E-05	1,42E-04	5,86E-08	1,93E-17	4,91E-08	4,82E-10	2,31E-08	2,03E-07	7,13E-08	6,24E-13	1,47E-04	9,39E-06
	Use	3,34E+00	3,30E+00	3,39E-02	1,09E-02	7,51E-11	7,22E-03	7,05E-06	1,73E-03	1,94E-02	4,30E-03	6,85E-07	6,73E+01	8,26E-01
	End of Life	9,95E-04	8,40E-04	1,47E-04	7,96E-06	1,70E-16	1,28E-06	5,95E-09	5,50E-07	5,55E-06	1,22E-06	5,19E-11	1,00E-02	1,52E-05
	Module D	-1,02E-01	-1,02E-01	1,47E-03	-8,27E-04	-3,87E-13	-7,46E-04	-4,00E-07	-1,31E-04	-1,39E-03	-4,07E-04	-2,57E-05	1,56E+00	-4,27E-02
2675220000	Total*	3,68E+00	3,62E+00	4,99E-02	1,12E-02	8,24E-11	8,04E-03	8,05E-06	1,92E-03	2,15E-02	4,79E-03	2,56E-05	7,16E+01	8,44E-01

	Manufacturing	3,36E-01	3,20E-01	1,58E-02	2,85E-04	7,31E-12	8,10E-04	9,88E-07	1,87E-04	2,06E-03	4,89E-04	2,49E-05	4,26E+00	1,74E-02
	Distribution	2,83E-03	2,87E-03	-6,35E-05	2,95E-05	4,76E-16	4,44E-06	7,74E-09	1,81E-06	1,92E-05	3,96E-06	1,91E-10	3,68E-02	1,31E-05
	Installation	1,53E-04	1,09E-05	1,42E-04	5,86E-08	1,93E-17	4,91E-08	4,82E-10	2,31E-08	2,03E-07	7,13E-08	6,24E-13	1,47E-04	9,39E-06
	Use	3,34E+00	3,30E+00	3,39E-02	1,09E-02	7,51E-11	7,22E-03	7,05E-06	1,73E-03	1,94E-02	4,30E-03	6,85E-07	6,73E+01	8,26E-01
	End of Life	9,95E-04	8,40E-04	1,47E-04	7,96E-06	1,70E-16	1,28E-06	5,95E-09	5,50E-07	5,55E-06	1,22E-06	5,19E-11	1,00E-02	1,52E-05
	Module D	-1,02E-01	-1,02E-01	1,47E-03	-8,27E-04	-3,87E-13	-7,46E-04	-4,00E-07	-1,31E-04	-1,39E-03	-4,07E-04	-2,57E-05	1,56E+00	-4,27E-02
1989930000 2430040000	Total*	3,67E+00	3,61E+00	4,99E-02	1,12E-02	8,17E-11	7,92E-03	8,03E-06	1,91E-03	2,14E-02	4,76E-03	2,06E-05	7,14E+01	8,40E-01
	Manufacturing	3,23E-01	3,06E-01	1,58E-02	2,56E-04	6,57E-12	6,92E-04	9,67E-07	1,78E-04	1,97E-03	4,57E-04	1,99E-05	4,06E+00	1,35E-02
	Distribution	2,68E-03	2,71E-03	-6,01E-05	2,80E-05	4,51E-16	4,20E-06	7,32E-09	1,71E-06	1,82E-05	3,74E-06	1,81E-10	3,48E-02	1,24E-05
	Installation	1,53E-04	1,09E-05	1,42E-04	5,86E-08	1,93E-17	4,91E-08	4,82E-10	2,31E-08	2,03E-07	7,13E-08	6,24E-13	1,47E-04	9,39E-06
	Use	3,34E+00	3,30E+00	3,39E-02	1,09E-02	7,51E-11	7,22E-03	7,05E-06	1,73E-03	1,94E-02	4,30E-03	6,85E-07	6,73E+01	8,26E-01
	End of Life	9,39E-04	7,92E-04	1,39E-04	7,50E-06	1,61E-16	1,21E-06	5,61E-09	5,18E-07	5,24E-06	1,15E-06	4,89E-11	9,48E-03	1,43E-05
	Module D	-9,14E-02	-9,21E-02	1,39E-03	-7,16E-04	-3,46E-13	-6,52E-04	-3,51E-07	-1,16E-04	-1,23E-03	-3,62E-04	-2,22E-05	1,41E+00	-3,74E-02
1989830000	Total*	3,73E+00	3,68E+00	3,98E-02	1,18E-02	8,48E-11	8,45E-03	7,90E-06	1,94E-03	2,18E-02	4,89E-03	2,87E-05	7,39E+01	9,03E-01
	Manufacturing	1,81E-01	1,77E-01	3,62E-03	2,55E-04	5,18E-12	7,83E-04	4,11E-07	1,05E-04	1,14E-03	3,23E-04	2,79E-05	2,50E+00	2,63E-02
	Distribution	3,20E-03	3,24E-03	-7,17E-05	3,33E-05	5,38E-16	5,01E-06	8,73E-09	2,04E-06	2,17E-05	4,47E-06	2,15E-10	4,15E-02	1,48E-05
	Installation	2,00E-04	1,43E-05	1,85E-04	7,67E-08	2,53E-17	6,42E-08	6,31E-10	3,03E-08	2,65E-07	9,33E-08	8,18E-13	1,92E-04	1,23E-05
	Use	3,54E+00	3,50E+00	3,59E-02	1,15E-02	7,96E-11	7,66E-03	7,48E-06	1,84E-03	2,06E-02	4,56E-03	7,27E-07	7,13E+01	8,76E-01
	End of Life	1,11E-03	9,39E-04	1,64E-04	8,89E-06	1,90E-16	1,43E-06	6,65E-09	6,14E-07	6,21E-06	1,36E-06	5,80E-11	1,12E-02	1,70E-05
	Module D	-9,72E-02	-9,81E-02	1,61E-03	-7,34E-04	-3,35E-13	-6,80E-04	-3,64E-07	-1,23E-04	-1,31E-03	-3,84E-04	-2,27E-05	1,52E+00	-3,93E-02
1989840000	Total*	3,73E+00	3,68E+00	3,98E-02	1,18E-02	8,48E-11	8,45E-03	7,90E-06	1,94E-03	2,18E-02	4,89E-03	2,87E-05	7,39E+01	9,03E-01
	Manufacturing	1,81E-01	1,78E-01	3,62E-03	2,56E-04	5,18E-12	7,83E-04	4,11E-07	1,05E-04	1,14E-03	3,24E-04	2,79E-05	2,51E+00	2,63E-02
	Distribution	3,20E-03	3,24E-03	-7,19E-05	3,34E-05	5,39E-16	5,02E-06	8,75E-09	2,05E-06	2,17E-05	4,48E-06	2,16E-10	4,16E-02	1,48E-05
	Installation	2,00E-04	1,43E-05	1,85E-04	7,67E-08	2,53E-17	6,42E-08	6,31E-10	3,03E-08	2,65E-07	9,33E-08	8,18E-13	1,92E-04	1,23E-05
	Use	3,54E+00	3,50E+00	3,59E-02	1,15E-02	7,96E-11	7,66E-03	7,48E-06	1,84E-03	2,06E-02	4,56E-03	7,27E-07	7,13E+01	8,76E-01
	End of Life	1,11E-03	9,41E-04	1,65E-04	8,90E-06	1,91E-16	1,43E-06	6,66E-09	6,15E-07	6,22E-06	1,36E-06	5,81E-11	1,12E-02	1,70E-05
	Module D	-9,74E-02	-9,83E-02	1,61E-03	-7,34E-04	-3,35E-13	-6,80E-04	-3,65E-07	-1,23E-04	-1,31E-03	-3,84E-04	-2,27E-05	1,52E+00	-3,94E-02
1989850000	Total*	3,73E+00	3,68E+00	3,98E-02	1,18E-02	8,48E-11	8,45E-03	7,90E-06	1,94E-03	2,18E-02	4,89E-03	2,87E-05	7,39E+01	9,03E-01
	Manufacturing	1,82E-01	1,78E-01	3,62E-03	2,56E-04	5,18E-12	7,84E-04	4,12E-07	1,05E-04	1,15E-03	3,24E-04	2,79E-05	2,52E+00	2,63E-02
	Distribution	3,22E-03	3,26E-03	-7,22E-05	3,36E-05	5,41E-16	5,05E-06	8,79E-09	2,06E-06	2,18E-05	4,50E-06	2,17E-10	4,18E-02	1,49E-05
	Installation	2,00E-04	1,43E-05	1,85E-04	7,67E-08	2,53E-17	6,42E-08	6,31E-10	3,03E-08	2,65E-07	9,33E-08	8,18E-13	1,92E-04	1,23E-05
	Use	3,54E+00	3,50E+00	3,59E-02	1,15E-02	7,96E-11	7,66E-03	7,48E-06	1,84E-03	2,06E-02	4,56E-03	7,27E-07	7,13E+01	8,76E-01
	End of Life	1,12E-03	9,46E-04	1,65E-04	8,95E-06	1,92E-16	1,44E-06	6,70E-09	6,19E-07	6,25E-06	1,37E-06	5,84E-11	1,13E-02	1,71E-05
	Module D	-9,80E-02	-9,88E-02	1,62E-03	-7,34E-04	-3,36E-13	-6,81E-04	-3,65E-07	-1,24E-04	-1,31E-03	-3,86E-04	-2,27E-05	1,53E+00	-3,94E-02
1989940000	Total*	3,72E+00	3,67E+00	3,98E-02	1,18E-02	8,41E-11	8,33E-03	7,89E-06	1,94E-03	2,17E-02	4,86E-03	2,37E-05	7,38E+01	8,99E-01
	Manufacturing	1,72E-01	1,68E-01	3,64E-03	2,29E-04	4,45E-12	6,70E-04	3,96E-07	9,78E-05	1,06E-03	2,97E-04	2,30E-05	2,38E+00	2,25E-02
	Distribution	3,07E-03	3,10E-03	-6,88E-05	3,20E-05	5,16E-16	4,81E-06	8,38E-09	1,96E-06	2,08E-05	4,29E-06	2,07E-10	3,98E-02	1,42E-05
	Installation	2,00E-04	1,43E-05	1,85E-04	7,67E-08	2,53E-17	6,42E-08	6,31E-10	3,03E-08	2,65E-07	9,33E-08	8,18E-13	1,92E-04	1,23E-05

	Use	3,54E+00	3,50E+00	3,59E-02	1,15E-02	7,96E-11	7,66E-03	7,48E-06	1,84E-03	2,06E-02	4,56E-03	7,27E-07	7,13E+01	8,76E-01
	End of Life	1,06E-03	8,98E-04	1,57E-04	8,50E-06	1,82E-16	1,37E-06	6,36E-09	5,87E-07	5,93E-06	1,30E-06	5,54E-11	1,07E-02	1,62E-05
	Module D	-8,95E-02	-9,04E-02	1,54E-03	-6,20E-04	-2,99E-13	-5,89E-04	-3,17E-07	-1,10E-04	-1,16E-03	-3,44E-04	-1,90E-05	1,41E+00	-3,42E-02
1989860000 1989870000	Total*	4,33E+00	4,27E+00	4,37E-02	1,42E-02	9,41E-11	1,02E-02	8,54E-06	2,22E-03	2,48E-02	5,66E-03	3,25E-05	8,54E+01	1,03E+00
	Manufacturing	5,77E-01	5,70E-01	5,45E-03	1,95E-03	9,92E-12	2,14E-03	6,18E-07	2,77E-04	2,99E-03	8,39E-04	3,17E-05	9,90E+00	1,04E-01
	Distribution	3,64E-03	3,68E-03	-8,16E-05	3,79E-05	6,11E-16	5,70E-06	9,93E-09	2,32E-06	2,47E-05	5,08E-06	2,45E-10	4,72E-02	1,68E-05
	Installation	1,62E-04	1,16E-05	1,51E-04	6,23E-08	2,06E-17	5,22E-08	5,13E-10	2,46E-08	2,16E-07	7,58E-08	6,64E-13	1,56E-04	9,99E-06
	Use	3,75E+00	3,70E+00	3,80E-02	1,22E-02	8,42E-11	8,09E-03	7,90E-06	1,94E-03	2,18E-02	4,82E-03	7,68E-07	7,54E+01	9,26E-01
	End of Life	1,29E-03	1,09E-03	1,91E-04	1,03E-05	2,21E-16	1,66E-06	7,72E-09	7,14E-07	7,21E-06	1,58E-06	6,73E-11	1,30E-02	1,97E-05
	Module D	-1,11E-01	-1,11E-01	1,44E-03	-8,31E-04	-3,78E-13	-7,72E-04	-4,09E-07	-1,40E-04	-1,48E-03	-4,36E-04	-2,57E-05	1,72E+00	-4,49E-02
2675230000	Total*	3,96E+00	3,90E+00	4,28E-02	1,25E-02	9,01E-11	8,99E-03	8,39E-06	2,06E-03	2,31E-02	5,19E-03	3,25E-05	7,83E+01	9,56E-01
	Manufacturing	2,08E-01	2,03E-01	4,54E-03	2,88E-04	5,88E-12	8,91E-04	4,65E-07	1,19E-04	1,30E-03	3,69E-04	3,17E-05	2,87E+00	2,91E-02
	Distribution	3,64E-03	3,68E-03	-8,16E-05	3,79E-05	6,11E-16	5,70E-06	9,93E-09	2,32E-06	2,47E-05	5,08E-06	2,45E-10	4,72E-02	1,68E-05
	Installation	1,62E-04	1,16E-05	1,51E-04	6,23E-08	2,06E-17	5,22E-08	5,13E-10	2,46E-08	2,16E-07	7,58E-08	6,64E-13	1,56E-04	9,99E-06
	Use	3,75E+00	3,70E+00	3,80E-02	1,22E-02	8,42E-11	8,09E-03	7,90E-06	1,94E-03	2,18E-02	4,82E-03	7,68E-07	7,54E+01	9,26E-01
	End of Life	1,29E-03	1,09E-03	1,91E-04	1,03E-05	2,21E-16	1,66E-06	7,72E-09	7,14E-07	7,21E-06	1,58E-06	6,73E-11	1,30E-02	1,97E-05
	Module D	-1,13E-01	-1,13E-01	1,45E-03	-8,27E-04	-3,81E-13	-7,73E-04	-4,10E-07	-1,41E-04	-1,49E-03	-4,40E-04	-2,56E-05	1,75E+00	-4,49E-02
1989880000	Total*	3,95E+00	3,90E+00	4,28E-02	1,25E-02	9,01E-11	8,99E-03	8,38E-06	2,06E-03	2,31E-02	5,19E-03	3,25E-05	7,83E+01	9,56E-01
	Manufacturing	2,04E-01	2,00E-01	4,53E-03	2,86E-04	5,87E-12	8,87E-04	4,60E-07	1,18E-04	1,28E-03	3,64E-04	3,17E-05	2,81E+00	2,91E-02
	Distribution	3,64E-03	3,68E-03	-8,16E-05	3,79E-05	6,11E-16	5,70E-06	9,93E-09	2,32E-06	2,47E-05	5,08E-06	2,45E-10	4,72E-02	1,68E-05
	Installation	1,62E-04	1,16E-05	1,51E-04	6,23E-08	2,06E-17	5,22E-08	5,13E-10	2,46E-08	2,16E-07	7,58E-08	6,64E-13	1,56E-04	9,99E-06
	Use	3,75E+00	3,70E+00	3,80E-02	1,22E-02	8,42E-11	8,09E-03	7,90E-06	1,94E-03	2,18E-02	4,82E-03	7,68E-07	7,54E+01	9,26E-01
	End of Life	1,29E-03	1,09E-03	1,91E-04	1,03E-05	2,21E-16	1,66E-06	7,72E-09	7,14E-07	7,21E-06	1,58E-06	6,73E-11	1,30E-02	1,97E-05
	Module D	-1,11E-01	-1,11E-01	1,44E-03	-8,31E-04	-3,78E-13	-7,72E-04	-4,09E-07	-1,40E-04	-1,48E-03	-4,36E-04	-2,57E-05	1,72E+00	-4,49E-02
1989950000	Total*	3,54E+00	3,49E+00	3,87E-02	1,12E-02	8,02E-11	8,00E-03	7,51E-06	1,84E-03	2,06E-02	4,64E-03	2,74E-05	7,00E+01	8,52E-01
	Manufacturing	1,94E-01	1,89E-01	4,55E-03	2,60E-04	5,14E-12	7,73E-04	4,44E-07	1,10E-04	1,20E-03	3,37E-04	2,67E-05	2,68E+00	2,53E-02
	Distribution	3,48E-03	3,53E-03	-7,82E-05	3,63E-05	5,86E-16	5,46E-06	9,52E-09	2,23E-06	2,36E-05	4,87E-06	2,35E-10	4,52E-02	1,61E-05
	Installation	1,62E-04	1,16E-05	1,51E-04	6,23E-08	2,06E-17	5,22E-08	5,13E-10	2,46E-08	2,16E-07	7,58E-08	6,64E-13	1,56E-04	9,99E-06
	Use	3,34E+00	3,30E+00	3,39E-02	1,09E-02	7,51E-11	7,22E-03	7,05E-06	1,73E-03	1,94E-02	4,30E-03	6,85E-07	6,73E+01	8,26E-01
	End of Life	1,24E-03	1,04E-03	1,82E-04	9,87E-06	2,11E-16	1,59E-06	7,38E-09	6,82E-07	6,89E-06	1,51E-06	6,44E-11	1,25E-02	1,88E-05
	Module D	-1,02E-01	-1,03E-01	1,37E-03	-7,16E-04	-3,41E-13	-6,80E-04	-3,61E-07	-1,26E-04	-1,33E-03	-3,94E-04	-2,20E-05	1,60E+00	-3,97E-02
2429850000	Total*	3,82E+00	3,75E+00	5,75E-02	1,13E-02	8,55E-11	8,35E-03	8,49E-06	2,00E-03	2,24E-02	4,98E-03	3,48E-05	7,32E+01	8,48E-01
	Manufacturing	4,72E-01	4,49E-01	2,33E-02	4,07E-04	1,04E-11	1,12E-03	1,42E-06	2,63E-04	2,91E-03	6,77E-04	3,42E-05	5,90E+00	2,18E-02
	Distribution	3,60E-03	3,64E-03	-8,07E-05	3,75E-05	6,05E-16	5,64E-06	9,83E-09	2,30E-06	2,44E-05	5,03E-06	2,42E-10	4,67E-02	1,67E-05
	Installation	1,94E-04	1,39E-05	1,80E-04	7,44E-08	2,45E-17	6,23E-08	6,12E-10	2,94E-08	2,57E-07	9,06E-08	7,93E-13	1,86E-04	1,19E-05
	Use	3,34E+00	3,30E+00	3,39E-02	1,09E-02	7,51E-11	7,22E-03	7,05E-06	1,73E-03	1,94E-02	4,30E-03	6,85E-07	6,73E+01	8,26E-01
	End of Life	1,26E-03	1,07E-03	1,87E-04	1,01E-05	2,16E-16	1,63E-06	7,56E-09	6,98E-07	7,06E-06	1,55E-06	6,59E-11	1,28E-02	1,93E-05
	Module D	-1,30E-01	-1,31E-01	1,93E-03	-1,16E-03	-5,17E-13	-1,03E-03	-5,46E-07	-1,74E-04	-1,86E-03	-5,38E-04	-3,62E-05	1,97E+00	-5,88E-02

2429880000 2429890000	Total*	3,81E+00	3,75E+00	5,75E-02	1,13E-02	8,55E-11	8,34E-03	8,48E-06	2,00E-03	2,23E-02	4,97E-03	3,48E-05	7,31E+01	8,47E-01
	Manufacturing	4,68E-01	4,45E-01	2,33E-02	3,89E-04	1,04E-11	1,11E-03	1,42E-06	2,61E-04	2,89E-03	6,71E-04	3,42E-05	5,82E+00	2,09E-02
	Distribution	3,60E-03	3,64E-03	-8,07E-05	3,75E-05	6,05E-16	5,64E-06	9,83E-09	2,30E-06	2,44E-05	5,03E-06	2,42E-10	4,67E-02	1,67E-05
	Installation	1,94E-04	1,39E-05	1,80E-04	7,44E-08	2,45E-17	6,23E-08	6,12E-10	2,94E-08	2,57E-07	9,06E-08	7,93E-13	1,86E-04	1,19E-05
	Use	3,34E+00	3,30E+00	3,39E-02	1,09E-02	7,51E-11	7,22E-03	7,05E-06	1,73E-03	1,94E-02	4,30E-03	6,85E-07	6,73E+01	8,26E-01
	End of Life	1,26E-03	1,07E-03	1,87E-04	1,01E-05	2,16E-16	1,63E-06	7,56E-09	6,98E-07	7,06E-06	1,55E-06	6,59E-11	1,28E-02	1,93E-05
	Module D	-1,30E-01	-1,31E-01	1,93E-03	-1,16E-03	-5,17E-13	-1,03E-03	-5,46E-07	-1,74E-04	-1,86E-03	-5,38E-04	-3,62E-05	1,97E+00	-5,88E-02
2675240000	Total*	3,82E+00	3,75E+00	5,75E-02	1,13E-02	8,55E-11	8,34E-03	8,49E-06	2,00E-03	2,23E-02	4,98E-03	3,48E-05	7,32E+01	8,47E-01
	Manufacturing	4,71E-01	4,47E-01	2,33E-02	3,90E-04	1,04E-11	1,11E-03	1,42E-06	2,62E-04	2,91E-03	6,76E-04	3,42E-05	5,86E+00	2,10E-02
	Distribution	3,60E-03	3,64E-03	-8,07E-05	3,75E-05	6,05E-16	5,64E-06	9,83E-09	2,30E-06	2,44E-05	5,03E-06	2,42E-10	4,67E-02	1,67E-05
	Installation	1,94E-04	1,39E-05	1,80E-04	7,44E-08	2,45E-17	6,23E-08	6,12E-10	2,94E-08	2,57E-07	9,06E-08	7,93E-13	1,86E-04	1,19E-05
	Use	3,34E+00	3,30E+00	3,39E-02	1,09E-02	7,51E-11	7,22E-03	7,05E-06	1,73E-03	1,94E-02	4,30E-03	6,85E-07	6,73E+01	8,26E-01
	End of Life	1,26E-03	1,07E-03	1,87E-04	1,01E-05	2,16E-16	1,63E-06	7,56E-09	6,98E-07	7,06E-06	1,55E-06	6,59E-11	1,28E-02	1,93E-05
	Module D	-1,32E-01	-1,33E-01	1,94E-03	-1,16E-03	-5,20E-13	-1,03E-03	-5,46E-07	-1,75E-04	-1,87E-03	-5,42E-04	-3,61E-05	2,00E+00	-5,89E-02
2898660000 2898670000	Total*	2,72E+00	2,69E+00	2,55E-02	8,73E-03	6,14E-11	6,25E-03	5,68E-06	1,46E-03	1,63E-02	3,69E-03	1,64E-05	5,43E+01	6,77E-01
	Manufacturing	8,64E-02	8,78E-02	-1,49E-03	1,26E-04	2,27E-12	5,56E-04	1,11E-07	9,52E-05	1,02E-03	3,02E-04	1,58E-05	1,30E+00	2,58E-02
	Distribution	2,38E-03	2,41E-03	-5,35E-05	2,49E-05	4,01E-16	3,74E-06	6,51E-09	1,52E-06	1,62E-05	3,33E-06	1,61E-10	3,09E-02	1,10E-05
	Installation	2,08E-04	1,49E-05	1,93E-04	7,98E-08	2,63E-17	6,68E-08	6,56E-10	3,15E-08	2,76E-07	9,71E-08	8,50E-13	2,00E-04	1,28E-05
	Use	2,63E+00	2,60E+00	2,67E-02	8,57E-03	5,92E-11	5,69E-03	5,55E-06	1,36E-03	1,53E-02	3,39E-03	5,40E-07	5,30E+01	6,51E-01
	End of Life	8,04E-04	6,79E-04	1,19E-04	6,43E-06	1,38E-16	1,04E-06	4,81E-09	4,44E-07	4,49E-06	9,85E-07	4,19E-11	8,12E-03	1,23E-05
	Module D	-6,26E-02	-6,36E-02	1,29E-03	-2,92E-04	-1,76E-13	-3,20E-04	-1,77E-07	-6,88E-05	-7,25E-04	-2,19E-04	-8,63E-06	1,03E+00	-1,90E-02
2898680000 2898690000	Total*	2,71E+00	2,68E+00	2,55E-02	8,70E-03	6,07E-11	6,13E-03	5,66E-06	1,45E-03	1,62E-02	3,66E-03	1,14E-05	5,42E+01	6,73E-01
	Manufacturing	7,59E-02	7,73E-02	-1,48E-03	1,01E-04	1,55E-12	4,38E-04	9,44E-08	8,53E-05	9,09E-04	2,68E-04	1,08E-05	1,17E+00	2,20E-02
	Distribution	2,23E-03	2,26E-03	-5,01E-05	2,33E-05	3,75E-16	3,50E-06	6,09E-09	1,43E-06	1,51E-05	3,12E-06	1,50E-10	2,90E-02	1,03E-05
	Installation	2,08E-04	1,49E-05	1,93E-04	7,98E-08	2,63E-17	6,68E-08	6,56E-10	3,15E-08	2,76E-07	9,71E-08	8,50E-13	2,00E-04	1,28E-05
	Use	2,63E+00	2,60E+00	2,67E-02	8,57E-03	5,92E-11	5,69E-03	5,55E-06	1,36E-03	1,53E-02	3,39E-03	5,40E-07	5,30E+01	6,51E-01
	End of Life	7,48E-04	6,31E-04	1,10E-04	5,97E-06	1,28E-16	9,62E-07	4,47E-09	4,13E-07	4,17E-06	9,16E-07	3,90E-11	7,55E-03	1,14E-05
	Module D	-5,41E-02	-5,51E-02	1,22E-03	-1,77E-04	-1,38E-13	-2,27E-04	-1,29E-07	-5,51E-05	-5,78E-04	-1,77E-04	-4,97E-06	-9,12E-01	-1,39E-02
2898700000 2898710000	Total*	2,75E+00	2,72E+00	2,39E-02	8,79E-03	6,24E-11	6,47E-03	5,73E-06	1,50E-03	1,67E-02	3,80E-03	2,29E-05	5,47E+01	6,84E-01
	Manufacturing	1,11E-01	1,14E-01	-3,33E-03	1,78E-04	3,23E-12	7,71E-04	1,59E-07	1,28E-04	1,37E-03	4,05E-04	2,24E-05	1,67E+00	3,33E-02
	Distribution	3,40E-03	3,45E-03	-7,64E-05	3,55E-05	5,72E-16	5,34E-06	9,30E-09	2,17E-06	2,31E-05	4,76E-06	2,29E-10	4,42E-02	1,58E-05
	Installation	4,57E-04	3,27E-05	4,24E-04	1,76E-07	5,79E-17	1,47E-07	1,44E-09	6,93E-08	6,07E-07	2,14E-07	1,87E-12	4,40E-04	2,82E-05
	Use	2,63E+00	2,60E+00	2,67E-02	8,57E-03	5,92E-11	5,69E-03	5,55E-06	1,36E-03	1,53E-02	3,39E-03	5,40E-07	5,30E+01	6,51E-01
	End of Life	1,08E-03	9,13E-04	1,60E-04	8,64E-06	1,85E-16	1,39E-06	6,46E-09	5,97E-07	6,04E-06	1,32E-06	5,64E-11	1,09E-02	1,65E-05
	Module D	-7,92E-02	-8,16E-02	2,82E-03	-3,96E-04	-2,29E-13	-4,24E-04	-2,43E-07	-9,00E-05	-9,47E-04	-2,84E-04	-1,16E-05	1,31E+00	-2,53E-02
2898720000 2898730000	Total*	2,77E+00	2,74E+00	2,40E-02	8,83E-03	6,28E-11	6,59E-03	5,76E-06	1,52E-03	1,70E-02	3,87E-03	2,58E-05	5,51E+01	6,89E-01
	Manufacturing	1,34E-01	1,37E-01	-3,21E-03	2,03E-04	3,67E-12	8,94E-04	1,84E-07	1,52E-04	1,63E-03	4,82E-04	2,53E-05	2,01E+00	3,80E-02
	Distribution	4,03E-03	4,08E-03	-9,03E-05	4,20E-05	6,77E-16	6,31E-06	1,10E-08	2,57E-06	2,73E-05	5,63E-06	2,71E-10	5,23E-02	1,87E-05

	Installation	4,45E-04	3,18E-05	4,13E-04	1,71E-07	5,63E-17	1,43E-07	1,41E-09	6,74E-08	5,91E-07	2,08E-07	1,82E-12	4,28E-04	2,74E-05
	Use	2,63E+00	2,60E+00	2,67E-02	8,57E-03	5,92E-11	5,69E-03	5,55E-06	1,36E-03	1,53E-02	3,39E-03	5,40E-07	5,30E+01	6,51E-01
	End of Life	1,32E-03	1,11E-03	1,95E-04	1,05E-05	2,26E-16	1,70E-06	7,88E-09	7,29E-07	7,36E-06	1,62E-06	6,88E-11	1,33E-02	2,01E-05
	Module D	-9,69E-02	-9,92E-02	2,73E-03	-4,43E-04	-2,70E-13	-4,92E-04	-2,77E-07	-1,07E-04	-1,13E-03	-3,39E-04	-1,29E-05	1,61E+00	-2,96E-02
2898740000	Total*	5,27E+00	5,20E+00	5,11E-02	1,68E-02	1,18E-10	1,19E-02	1,11E-05	2,80E-03	3,14E-02	7,11E-03	2,12E-05	1,05E+02	1,29E+00
	Manufacturing	2,02E-01	2,02E-01	-6,29E-04	2,32E-04	4,60E-12	9,20E-04	3,83E-07	1,78E-04	2,02E-03	5,90E-04	2,02E-05	3,07E+00	3,48E-02
	Distribution	3,34E-03	3,38E-03	-7,50E-05	3,49E-05	5,62E-16	5,24E-06	9,13E-09	2,14E-06	2,27E-05	4,67E-06	2,25E-10	4,34E-02	1,55E-05
	Installation	3,55E-04	2,54E-05	3,29E-04	1,36E-07	4,50E-17	1,14E-07	1,12E-09	5,38E-08	4,72E-07	1,66E-07	1,45E-12	3,41E-04	2,19E-05
	Use	5,06E+00	4,99E+00	5,13E-02	1,65E-02	1,14E-10	1,09E-02	1,07E-05	2,62E-03	2,94E-02	6,51E-03	1,04E-06	1,02E+02	1,25E+00
	End of Life	1,10E-03	9,31E-04	1,63E-04	8,81E-06	1,88E-16	1,42E-06	6,59E-09	6,09E-07	6,15E-06	1,35E-06	5,74E-11	1,11E-02	1,68E-05
	Module D	-8,36E-02	-8,54E-02	2,18E-03	-3,65E-04	-2,37E-13	-4,12E-04	-2,32E-07	-9,09E-05	-9,56E-04	-2,89E-04	-1,06E-05	1,39E+00	-2,48E-02
2898750000	Total*	5,27E+00	5,20E+00	5,11E-02	1,68E-02	1,18E-10	1,19E-02	1,11E-05	2,80E-03	3,14E-02	7,11E-03	2,12E-05	1,05E+02	1,29E+00
	Manufacturing	2,02E-01	2,02E-01	-6,29E-04	2,32E-04	4,60E-12	9,20E-04	3,83E-07	1,78E-04	2,01E-03	5,90E-04	2,02E-05	3,07E+00	3,48E-02
	Distribution	3,34E-03	3,38E-03	-7,50E-05	3,49E-05	5,62E-16	5,24E-06	9,13E-09	2,14E-06	2,27E-05	4,67E-06	2,25E-10	4,34E-02	1,55E-05
	Installation	3,55E-04	2,54E-05	3,29E-04	1,36E-07	4,50E-17	1,14E-07	1,12E-09	5,38E-08	4,72E-07	1,66E-07	1,45E-12	3,41E-04	2,19E-05
	Use	5,06E+00	4,99E+00	5,13E-02	1,65E-02	1,14E-10	1,09E-02	1,07E-05	2,62E-03	2,94E-02	6,51E-03	1,04E-06	1,02E+02	1,25E+00
	End of Life	1,10E-03	9,31E-04	1,63E-04	8,81E-06	1,88E-16	1,42E-06	6,59E-09	6,09E-07	6,15E-06	1,35E-06	5,74E-11	1,11E-02	1,68E-05
	Module D	-8,36E-02	-8,54E-02	2,18E-03	-3,65E-04	-2,37E-13	-4,12E-04	-2,32E-07	-9,09E-05	-9,56E-04	-2,89E-04	-1,06E-05	1,39E+00	-2,48E-02
2898760000 2898770000	Total*	5,27E+00	5,20E+00	5,11E-02	1,67E-02	1,18E-10	1,18E-02	1,11E-05	2,80E-03	3,14E-02	7,10E-03	1,64E-05	1,05E+02	1,28E+00
	Manufacturing	1,99E-01	1,99E-01	-6,14E-04	2,14E-04	3,91E-12	8,44E-04	3,75E-07	1,77E-04	2,00E-03	5,83E-04	1,53E-05	3,04E+00	3,15E-02
	Distribution	3,52E-03	3,57E-03	-7,90E-05	3,67E-05	5,92E-16	5,52E-06	9,62E-09	2,25E-06	2,39E-05	4,92E-06	2,37E-10	4,57E-02	1,63E-05
	Installation	3,55E-04	2,54E-05	3,29E-04	1,36E-07	4,50E-17	1,14E-07	1,12E-09	5,38E-08	4,72E-07	1,66E-07	1,45E-12	3,41E-04	2,19E-05
	Use	5,06E+00	4,99E+00	5,13E-02	1,65E-02	1,14E-10	1,09E-02	1,07E-05	2,62E-03	2,94E-02	6,51E-03	1,04E-06	1,02E+02	1,25E+00
	End of Life	1,17E-03	9,87E-04	1,73E-04	9,34E-06	2,00E-16	1,50E-06	6,99E-09	6,46E-07	6,52E-06	1,43E-06	6,09E-11	1,18E-02	1,78E-05
	Module D	-8,31E-02	-8,50E-02	2,15E-03	-2,59E-04	-2,09E-13	-3,52E-04	-1,94E-07	-8,49E-05	-8,91E-04	-2,72E-04	-7,02E-06	1,40E+00	-2,26E-02

Please obtain the units from the table of the reference article.

*In accordance with the current Product Category Rules (PCR), the values presented in the 'Total' column do not include the benefits and loads beyond the system boundaries as represented in 'Module D'.

Date of issue: 31.03.2026

Validity period: 5 Years

Document in compliance with ISO 14021

« Environmental labels and declarations - Self-declared environmental claims (Type II environmental labelling) »