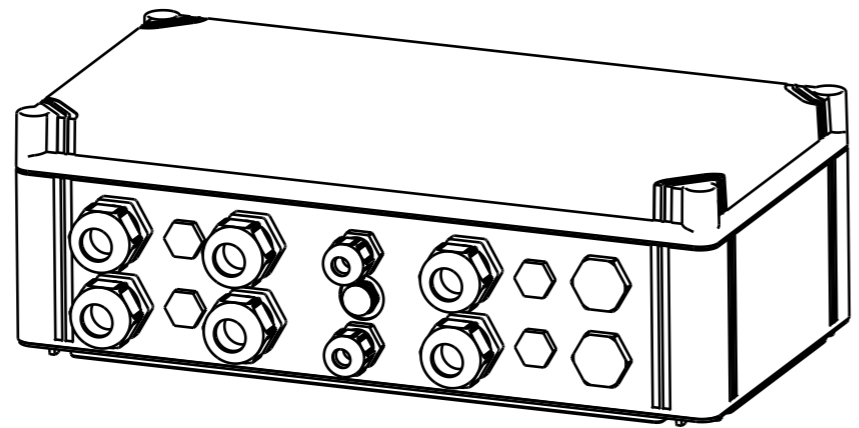
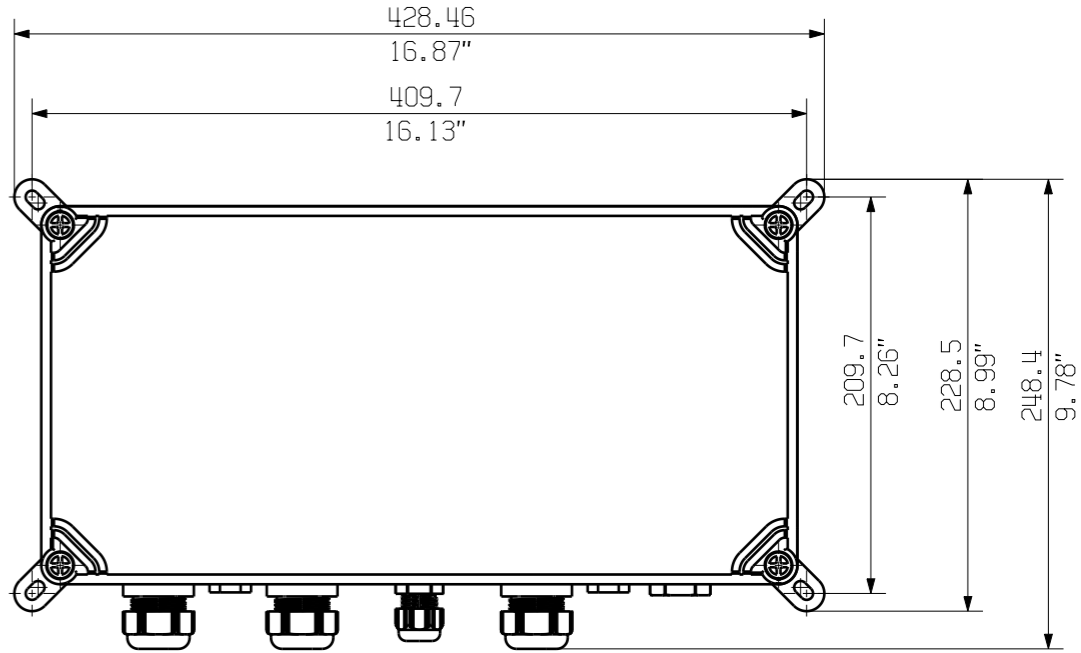
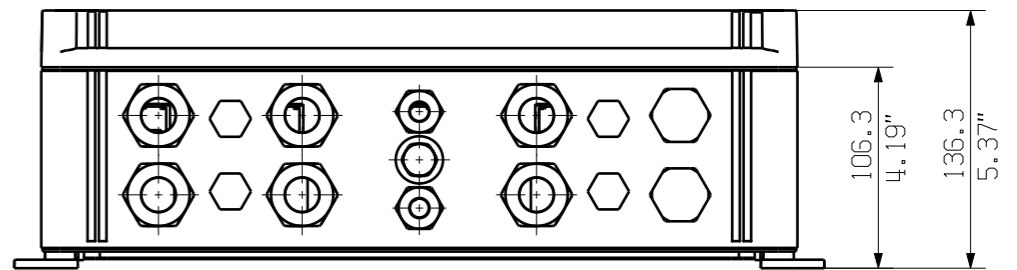
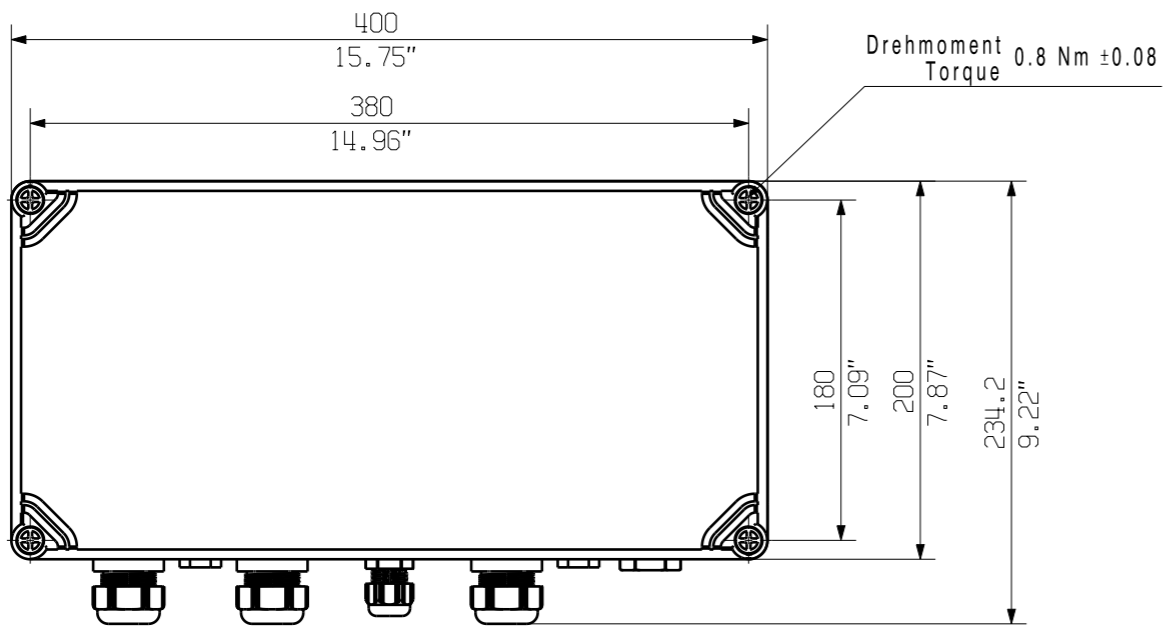
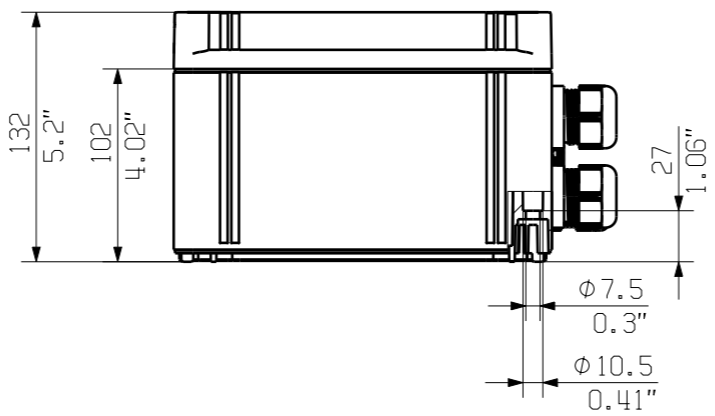
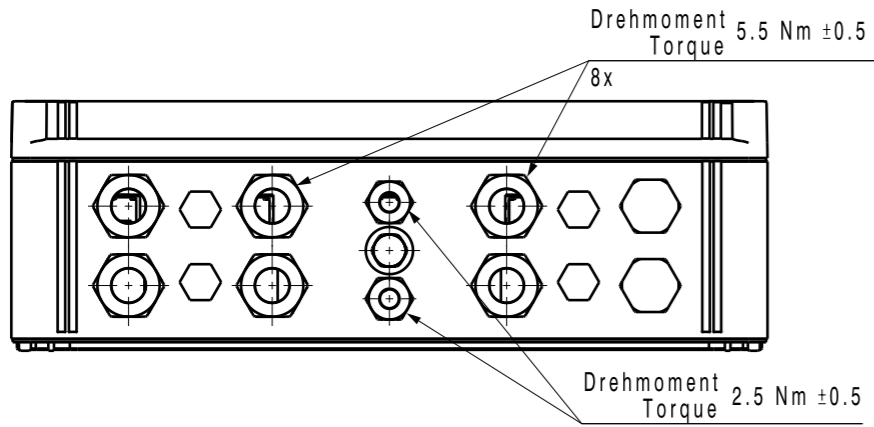


The reproduction, distribution and utilization of this document as well as the communication of its contents to others without explicit authorization is prohibited. Offenders will be held liable for the payment of damages. Weidmüller exclusively reserves the right to file for patents, utility models or designs.

© Weidmüller Interface GmbH & Co. KG

The English version is binding



Darstellung mit Zubehoer  
Shown with accessory 9536040000 MF FPC

General Tolerances: ISO 2768:1989-m		Tolerances ISO 8015	
Changes:		<b>Weidmüller</b>	<b>80317</b> <span style="float: right; border: 1px solid black; border-radius: 50%; padding: 2px;">0</span>
Mat. No. (SAP)	2975570000		
Drawings Assembly		Scale: 1:4	Sheet 2 / 3
Drawn	Dreier, Bianca	<b>PVN DC 2I 20 3MPP SPD2R CG 11</b> COMBINERBOX RESIDENTIAL/COMMERCIAL COMBINERBOX RESIDENTIAL/COMMERCIAL	
Responsible	Wohlgemuth, Klaus		
Approved	Püschner, Klaus		
		10.01.2024	