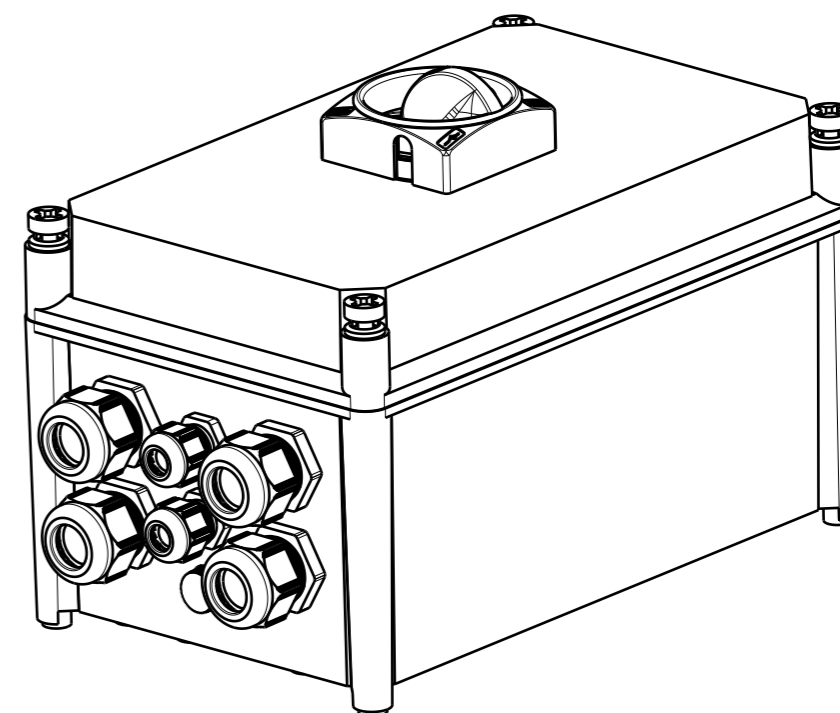
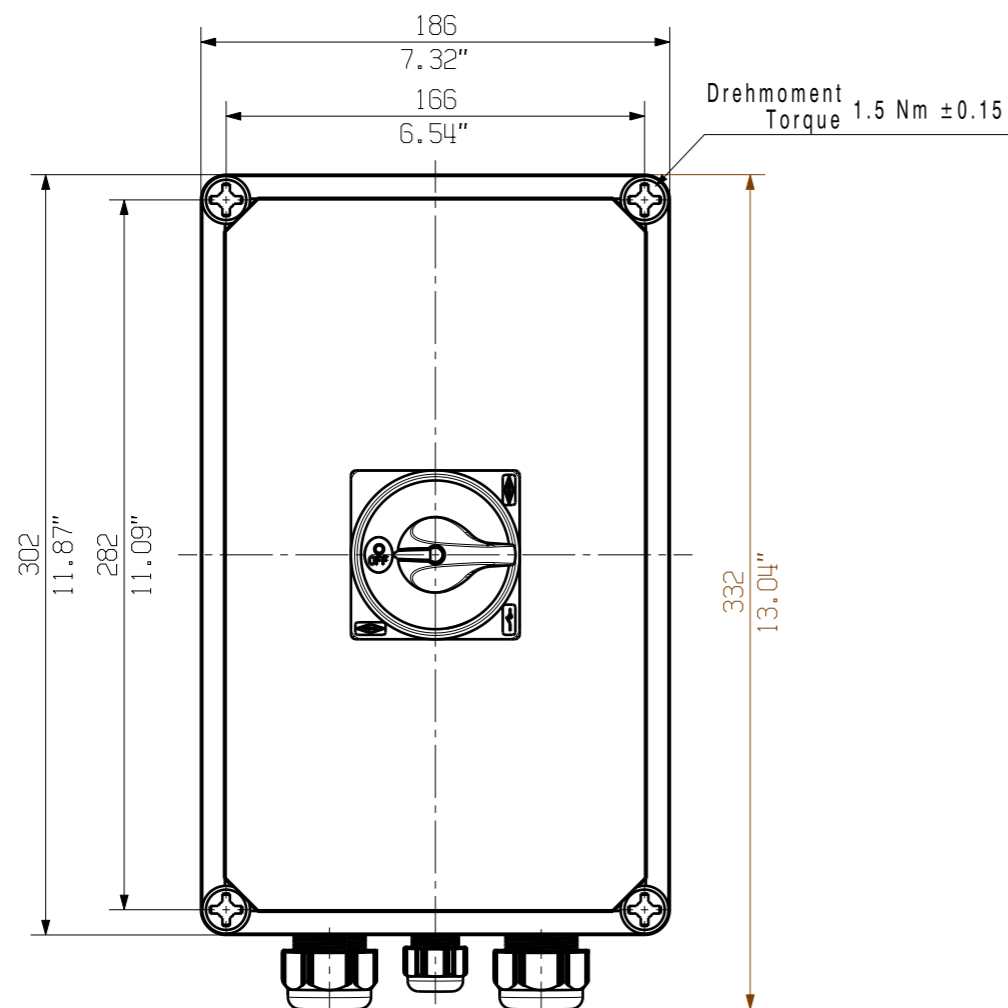
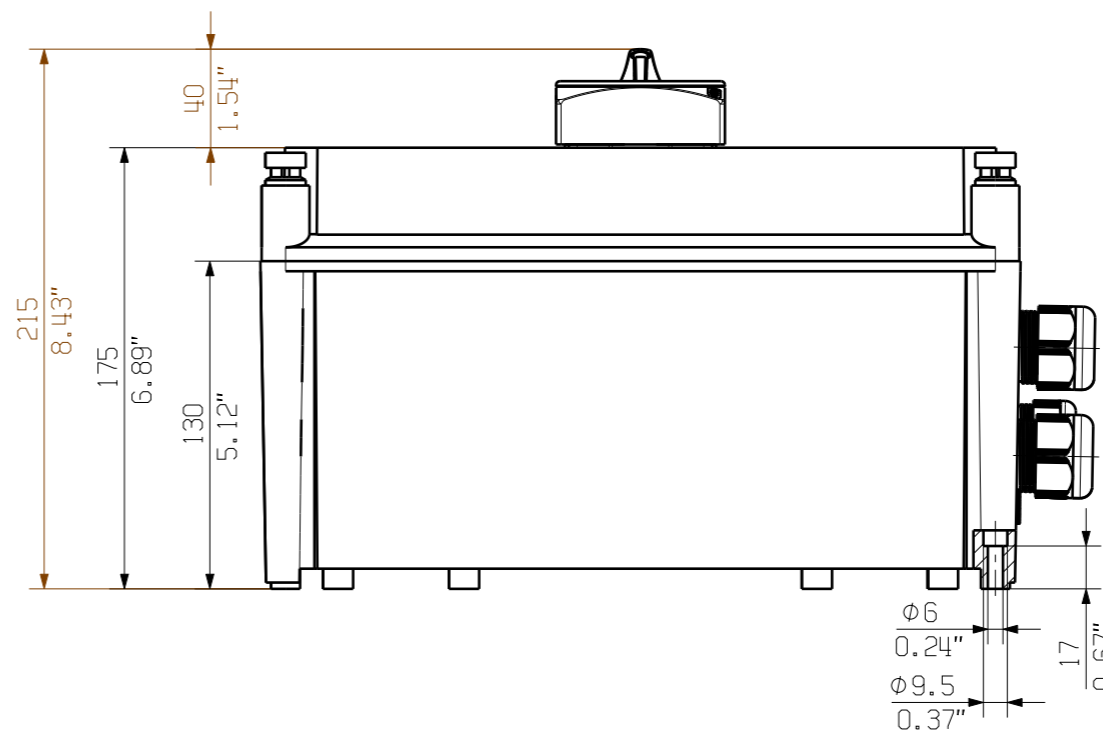
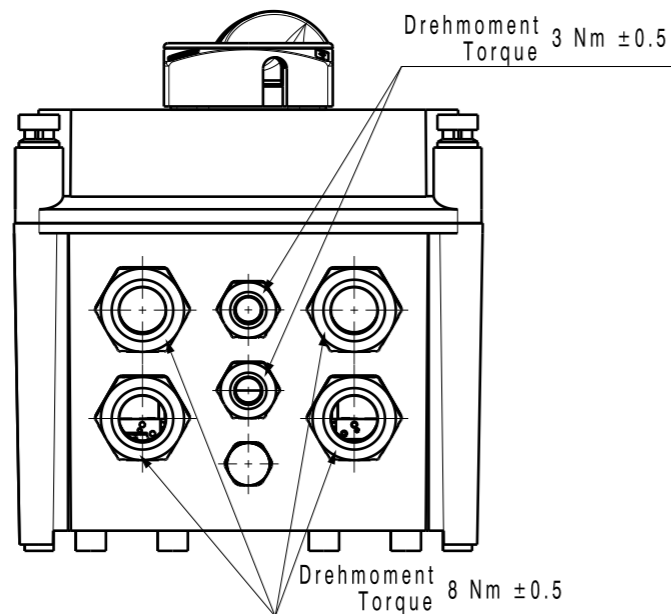
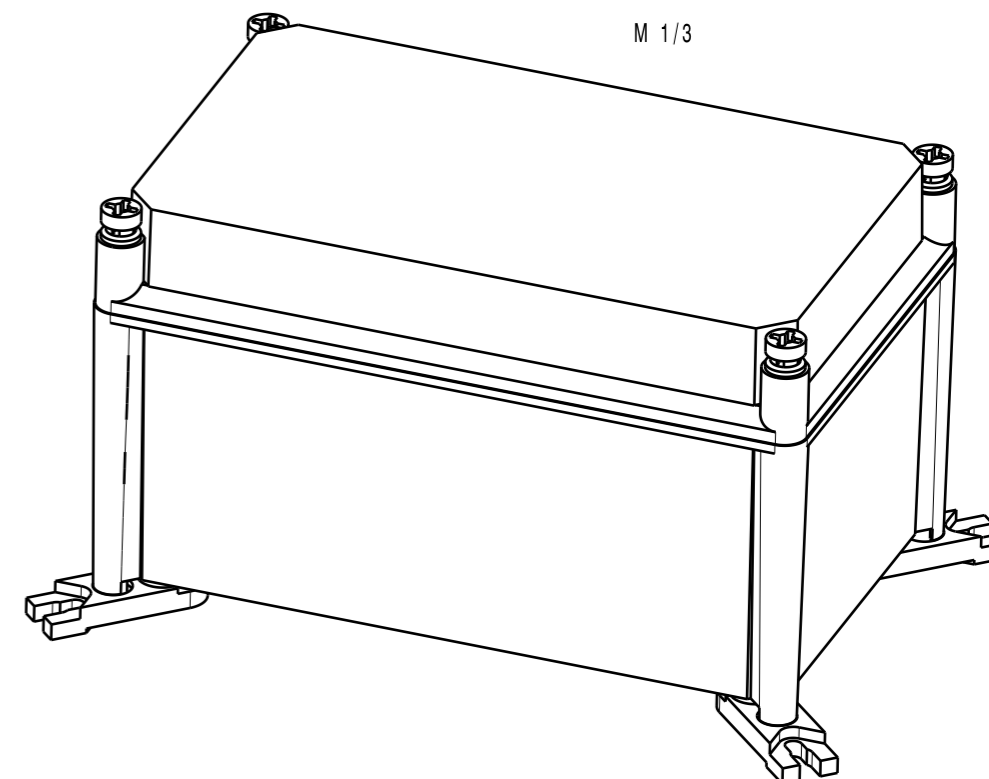
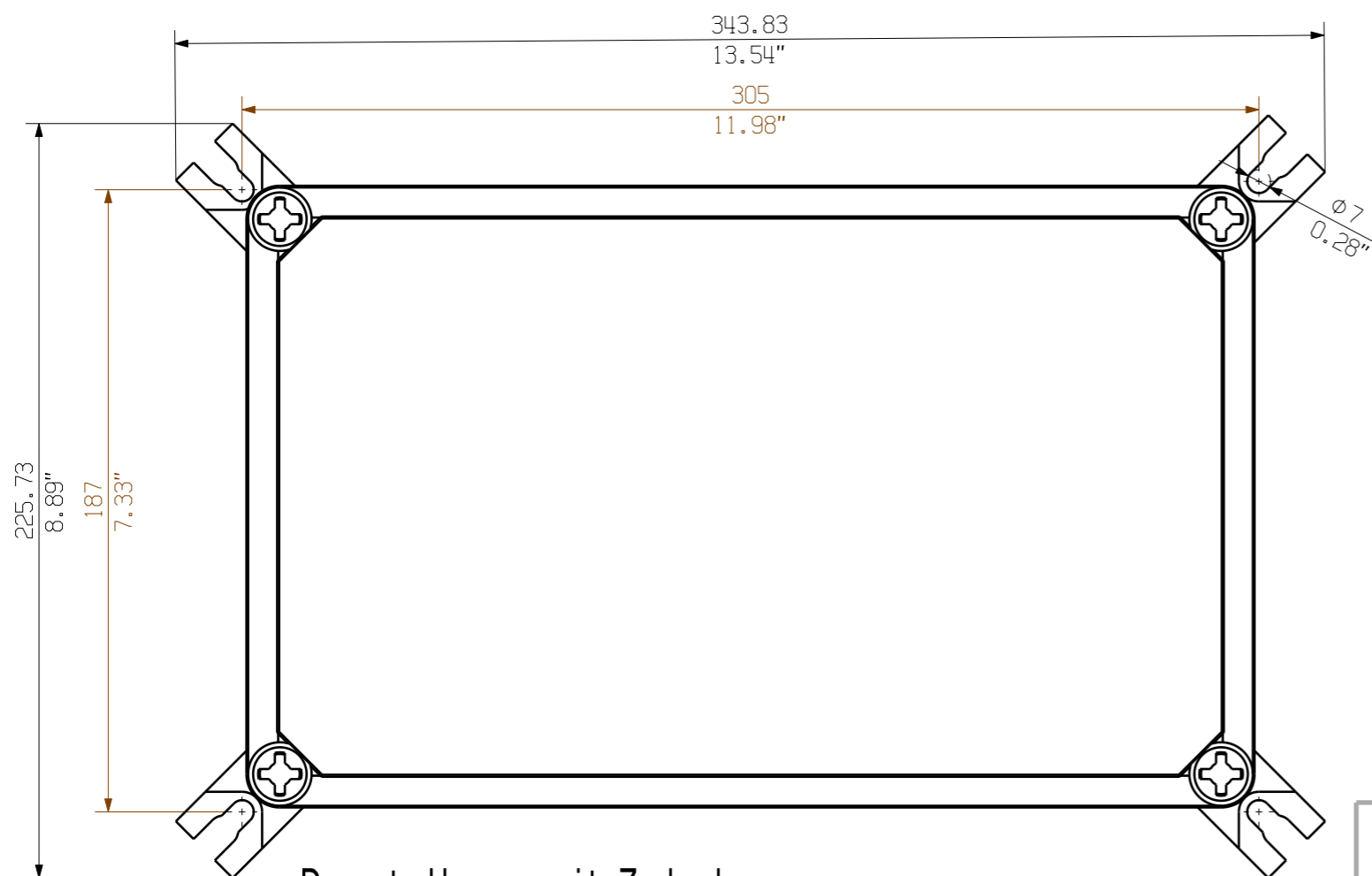
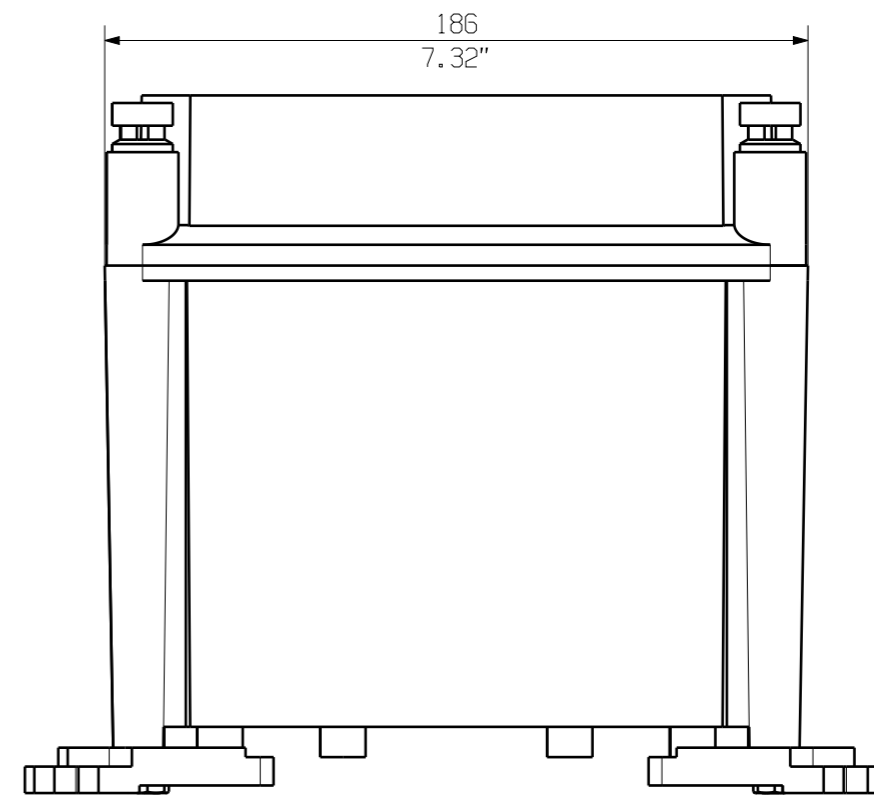
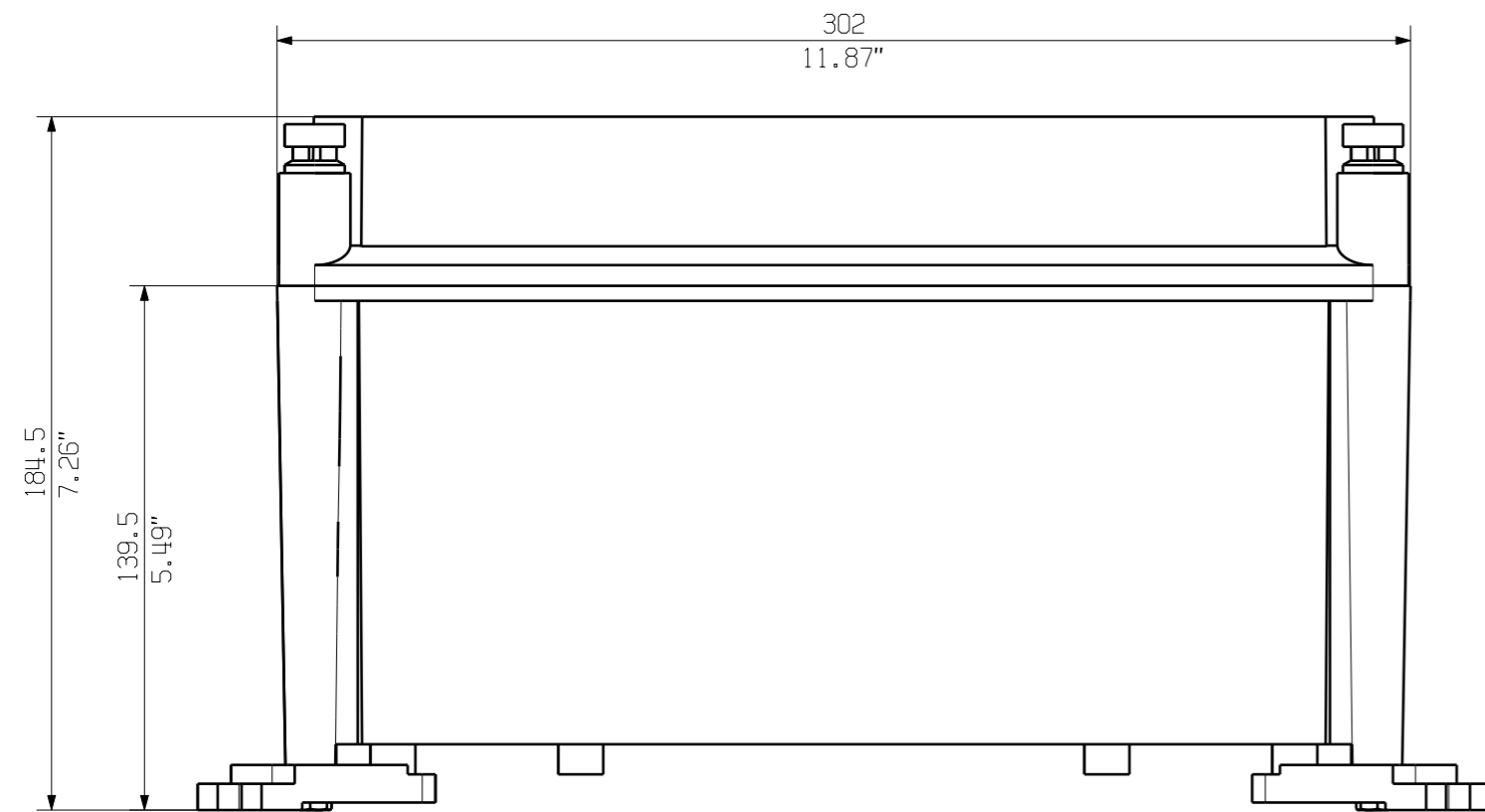


The reproduction, distribution and utilization of this document as well as the communication of its contents to others without explicit authorization is prohibited. Offenders will be held liable for the payment of damages. Weidmüller exclusively reserves the right to file for patents, utility models or designs. © Weidmüller Interface GmbH & Co. KG



First Issue Date 30.01.2020		Max. nos.		Prim PLM Part No.: 704047		Prim ERP Part No.:	
Modification		Date				71747 Drawing no. Issue no. 0 Sheet 01 of 01 sheets	
Scale: 1/3		Size: A3					
Drawn		Date		Name		PVN1M113S0FXV ... COMBINERBOX RESIDENTIAL/COMMERCIAL COMBINERBOX RESIDENTIAL/COMMERCIAL	
Responsible		Date		Name			
Approved		Date		Name			
Drawings Customer				Product file:			



Darstellung mit Zubehoer 0360800000 MF TBF
 Shown with accessory

Nicht im Lieferumfang enthalten!
 Not included in delivery!

First Issue Date 29.01.2020		Max. nos. Modification		Prim PLM Part No.: 1215112		Prim ERP Part No.:	
Scale: 1/2		Size: A3				71728 Drawing no. Issue no. 0 Sheet 01 of 01 sheets	
Drawings Customer		Drawn: 29.01.2020, Brüntrup, Anna Responsible: Wohlgemuth, Kl Approved: 31.01.2020, Püschner, Klau		PVN TBF 301918 COMBINERBOX RESIDENTIAL/COMMERCIAL COMBINERBOX RESIDENTIAL/COMMERCIAL Product file:			

The reproduction, distribution and utilization of this document as well as the communication of its contents to others without explicit authorization is prohibited. Offenders will be held liable for the payment of damages. Weidmüller exclusively reserves the right to file for patents, utility models or designs.

© Weidmüller Interface GmbH & Co. KG