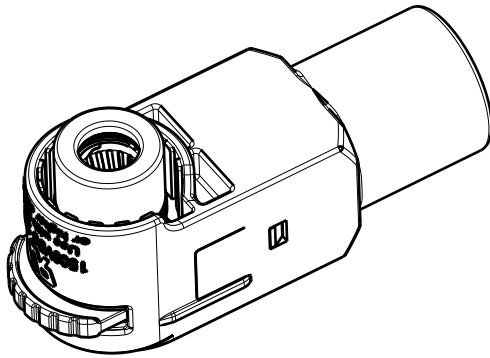
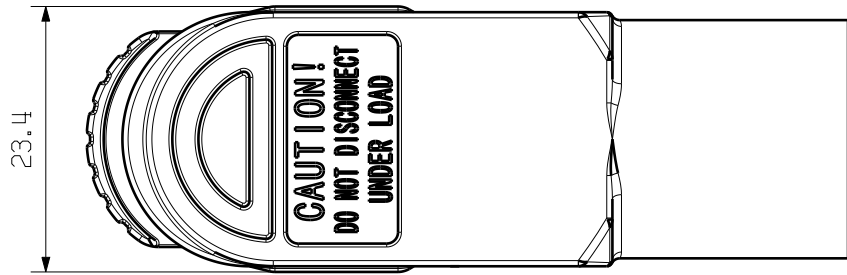
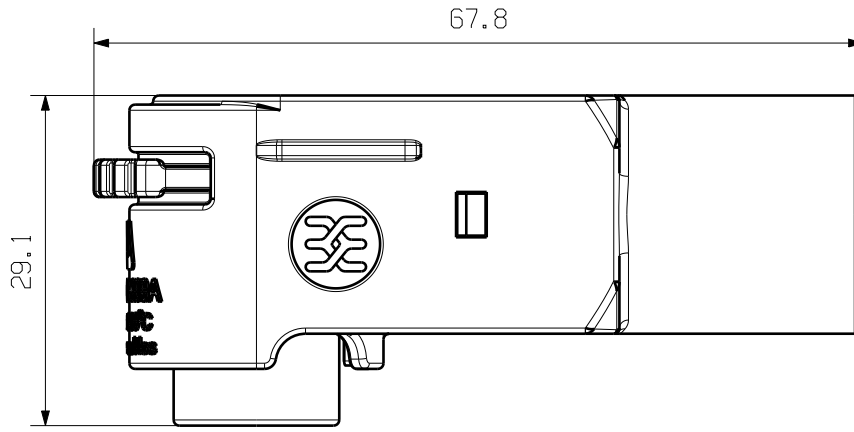


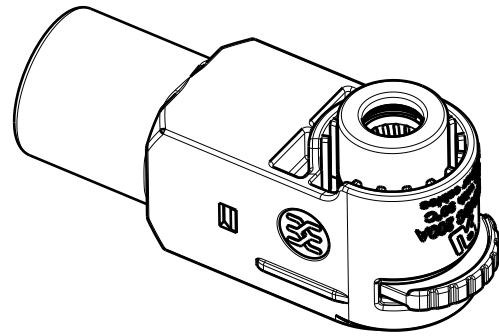
The reproduction, distribution and utilization of this document as well as the communication of its contents to others without explicit authorization is prohibited. Offenders will be held liable for the payment of damages. Weidmüller exclusively reserves the right to file for patents, utility models or designs.

© Weidmüller Interface GmbH & Co. KG

The English version is binding



WBC-P-8OR-35 M 1/1



WBC-P-8BK-35 M 1/1

Allgemeingültige Kundenzeichnung, aktueller Stand nur auf Anfrage
 General customer drawing, topical version only if required

Default tolerance ± 0.5

WBC-P-8BK-35	2905350000	Black
WBC-P-8OR-35	2905360000	Orange
Name	Mat.No.	Type

General Tolerances: <input type="checkbox"/> WN700144-W.. <input type="checkbox"/> WN 212010 <input type="checkbox"/> ISO 2768-mK		Tolerances ISO 8015	
Changes:		77501	0 Index
Mat. No. (SAP)			
Drawings Misc		Scale: 3:2	Sheet 1 / 1
Drawn	Zhu, Clark	WBC-P-8..-35 Battery plug connector Akku stopfen stecker	
Responsible	Zhu, Clark		
Approved	Xu, Shary		
26.08.2022			

A4