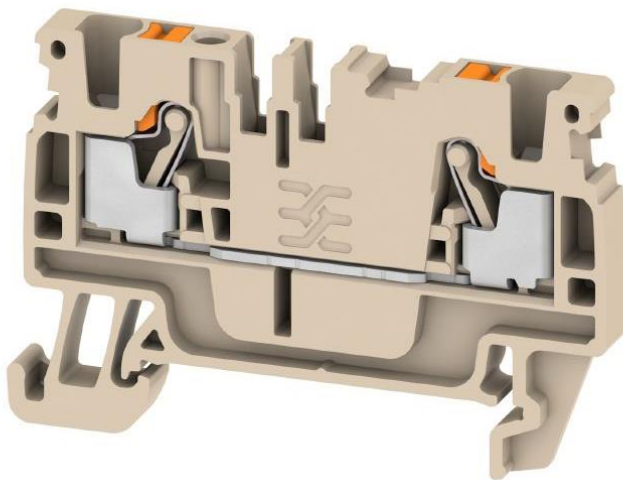


**Terminal blocks**  
**Feed-through**  
**PUSH IN**  
**Universal**

**Weidmüller Interface GmbH & Co. KG**  
 Klingenbergstraße 26  
 D-32758 Detmold  
 Germany

[www.weidmüller.com](http://www.weidmüller.com)



## General data

<b>Reference product</b>	1521850000 A2C 2.5
<b>Description of the product</b>	The Weidmüller universal range of the PUSH IN feed-through terminal block series is designed to provide a compact and efficient solution for electrical connections in control cabinets. Its space-saving construction and high connection density optimize the use of available installation space. The PUSH IN technology enables rapid, tool-free wiring, while large marking surfaces and clear functional separation support structured maintenance and organization. Integrated test points and vibration-proof, gas-tight connections ensure maximum operational safety and reliability.
<b>Functional unit</b>	Connect 2 clamping units between 2 or more wires for a rated cross-section 2.5 mm <sup>2</sup> , with rated voltage 550 V, rated current 24 A, and a voltage drop 2,2 mV, according to the appropriate use scenario, and for the reference service life of the product of 20 years.

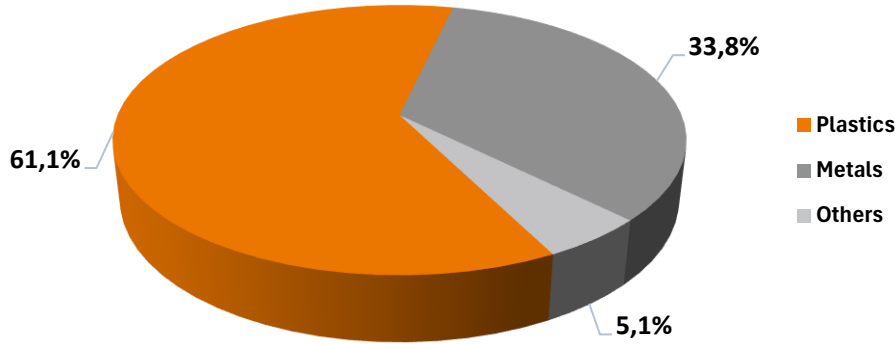
## Other products covered

1552790000	2508170000	1552820000	2508200000	2508180000
2674590000	2674600000	2508210000	2508220000	1552830000
2508020000	2508160000	2508190000	2490360000	2876670000
2490370000	2876690000	2674940000	2674950000	2697900000
2876660000	2876680000	2494000000	2494100000	2675000000
2675010000	2862830000	1521980000	1521880000	2508030000
2508000000	2674690000	2674700000	2799150000	1521950000
2003110000	1521930000	1521900000	1521970000	1521940000
2051180000	2051310000	2051210000	2534370000	2534380000
2674780000	2674790000	2799170000	2051260000	2051330000
2051230000	2051220000	2051290000	2051250000	1992110000
1991790000	2674870000	2674880000	2799190000	2978110000
1991800000	2469370000	2471430000	2675060000	2675070000
2471440000	2469400000	2471450000	2675090000	2471460000
1547610000	2531290000	2531510000	2936700000	2766890000
2531300000	2736830000	2623550000	2531310000	2531530000
2936690000	2744270000	1547620000	2744230000	2675110000
2675120000	2723370000	1547630000	2744240000	2581250000
2581280000	1547650000	1547660000	2675140000	2815620000
1547670000	3025940000	2744260000	2539970000	2540040000
2675160000	2675170000	2724450000	2552480000	2540020000
2540030000	2675190000	2552590000	1552740000	2534230000
1552770000	2534530000	2534540000	2674630000	2674640000
2534480000	2534490000	1552780000	2534500000	2534510000
2534520000	2490520000	2490510000	2819960000	2674970000
2674980000	2819950000	2494090000	2494080000	2675030000
2675040000	1521740000	1521920000	1521780000	2534730000
2534690000	2674720000	2674730000	1521870000	2003120000
1521830000	1521800000	1521890000	1521840000	2051240000
2051400000	2051280000	2534290000	2534360000	2674810000
2674820000	2051350000	2051460000	2051320000	2051300000
2051370000	2051340000	1991820000	2876650000	1991830000
2674900000	2674920000	1991840000	2816930000	2816940000
2856200000	2856210000	2817980000	2856220000	2428510000
2428520000	2771890000	2428530000	2757430000	2428840000

2428540000	2428850000	2735510000	1552690000	2534260000
1552700000	2534460000	2534470000	2674660000	2674670000
2534410000	2534420000	1552720000	2534430000	2534440000
2534450000	1521690000	1521820000	1521700000	2534750000
2534740000	2674750000	2674760000	2799160000	1521770000
2003130000	1521720000	1521710000	1521790000	1521730000
2051500000	2051660000	2051520000	2534390000	2534400000
2674840000	2674850000	2799180000	2051580000	2051670000
2051540000	2051530000	2051610000	2051550000	2881450000
2881460000	2881500000	2881510000	2881520000	2881480000
2881530000	2881470000	2847200000	2847270000	2847210000
2847310000	2847220000	2847320000	2847250000	2847300000
2847240000	2847230000	2847260000	2847280000	2847290000
2847710000	2871930000	2871870000	2871970000	2871880000
2871980000	2871910000	2871960000	2871900000	2871890000
2871920000	2871940000	2871950000	2847620000	2938210000
2847630000	2847780000	2938220000	2847790000	2847330000
2847400000	2847340000	2847440000	2847350000	2847450000
2847380000	2847430000	2847370000	2847360000	2847390000
2847410000	2847420000	2847720000	2872050000	2871990000
2872090000	2872000000	2872100000	2872030000	2872080000
2872020000	2872010000	2872040000	2872060000	2872070000
2847460000	2847530000	2847470000	2847570000	2847480000
2847580000	2847510000	2847560000	2847500000	2847490000
2847520000	2847540000	2847550000	2847730000	2872170000
2872110000	2872210000	2872120000	2872220000	2872150000
2872200000	2872140000	2872130000	2872160000	2872180000
2872190000				

## Constituent Materials

The total weight of the reference product is 6,88 g (including packaging material). The constituent materials are distributed as follows:



Categorisation according to the material classes of IEC 62474:

Plastics			Metals			Other		
M-208	Polyamide (PA)	59 %	M-121	Copper and its alloys	28,7 %	M-341	Paper	5,1 %
M-258	Polyamide (PA)	2,1 %	M-100	Stainless steel	5,1 %			
<b>Plastics in total</b>		<b>61,1 %</b>	<b>Metals in total</b>		<b>33,8 %</b>	<b>Others in total</b>		<b>5,1 %</b>

The products are in compliance with RoHS (EU Directive 2011/65/EU).

According to the REACH Regulation 1907/2006, the ECHA publishes on its website which substances are to be classified as so-called substances of very high concern (SVHC). As soon as an article contains SVHC above the respective threshold values for the declaration obligation according to Article 33, the affected articles and the SVHC they contain are published in the online product catalogue at each product.

The online product catalogue site of the reference product can be accessed via the link:

<https://eshop.weidmueller.com/p/1521850000>

## Additional Environmental Information

<b>Manufacture</b>	<p>This stage includes the manufacturing of the product and its packaging as well as the transport to the manufacturer's last logistics platform located in Hörselbach-Hainich (Germany). The final assembly site is located in Germany and has an ISO 14001 and ISO 50.001 certified environmental management system. Transport packaging, used in addition to product packaging when required for delivery, is excluded from the system boundaries.</p>
<b>Distribution</b>	<p>The shipment is made from the distribution centre to the customer by truck. The transport route to the customer was assumed to be 3500 km by lorry.</p>
<b>Installation</b>	<p>Only the disposal of the packaging is considered in this phase, as the installation is carried out manually with non-electrical tools.</p>
<b>Use</b>	<p>No maintenance or utilities are required during use. The power consumption was calculated according to the use scenario below.</p>
<b>End of Life</b>	<p>The end-of-life stage is modelled based on the data from Eurostat. The transport route to the disposal company was assumed to be 1000 km by lorry.</p>

## Environmental Impacts

<b>Reference Service Lifetime</b>	20 years			
<b>Product category</b>	Electrical switchgear and control gear solutions			
<b>Installation elements</b>	No special installation elements required.			
<b>Use scenario</b>	<p>During the use phase, the product dissipates some electricity due to power losses. The average power loss was calculated using the following assumptions according PSR:</p> <ul style="list-style-type: none"> <li>- RSL of 20 years;</li> <li>- Load rate: 30 % of the rated current</li> <li>- Use rate: 90 % RSL.</li> </ul>			
<b>Geographical representativeness</b>	Europe			
<b>Software</b>	Sphera LCA for Experts, v10.9.1.19			
<b>Database</b>	Sphera MLC Databases 2025.2			
<b>Energy model</b>	<b>Manufacture*</b>	<b>Installation</b>	<b>Use</b>	<b>End of Life</b>
	Germany	-	Europe	Europe

\*Energy model of the final assembly site.

The following tables represent the impact values of the reference product according to DIN EN 15804:2022-03 except for the environmental indicators of output flows and information on the biogenic carbon content of the product and the associated packaging.

## Environmental impact indicators

Indicator	Unit	Total*	Manufacturing A1-A3	Distribution A4	Installation A5	Use B1-B7	End of Life C1-C4	Benefits and Loads D
Climate change - total	kg CO <sub>2</sub> eq.	2,83E+00	1,54E-01	1,82E-03	8,31E-05	2,67E+00	6,40E-04	-6,79E-02
Climate change - fossil	kg CO <sub>2</sub> eq.	2,79E+00	1,54E-01	1,84E-03	5,94E-06	2,64E+00	5,40E-04	-6,86E-02
Climate change - biogenic	kg CO <sub>2</sub> eq.	2,69E-02	-3,64E-04	-4,07E-05	7,71E-05	2,71E-02	9,51E-05	9,71E-04
Climate change - land use and land use change	kg CO <sub>2</sub> eq.	8,83E-03	1,02E-04	1,89E-05	3,19E-08	8,70E-03	5,14E-06	-3,22E-04
Ozone depletion	kg CFC 11 eq.	6,25E-11	2,39E-12	3,05E-16	1,05E-17	6,01E-11	1,00E-16	-1,90E-13
Acidification	mol H <sup>+</sup> eq.	6,29E-03	5,11E-04	2,84E-06	2,67E-08	5,78E-03	8,19E-07	-3,34E-04
Eutrophication - freshwater	kg P eq.	5,86E-06	2,10E-07	4,96E-09	2,62E-10	5,64E-06	3,84E-09	-1,87E-07
Eutrophication - marine aquatic	kg N eq.	1,46E-03	7,43E-05	1,16E-06	1,26E-08	1,39E-03	3,50E-07	-6,74E-05
Eutrophication - terrestrial	mol N- eq.	1,63E-02	7,29E-04	1,23E-05	1,10E-07	1,55E-02	3,52E-06	-7,13E-04
Photochemical ozone formation	kg NMVOC	3,71E-03	2,74E-04	2,54E-06	3,88E-08	3,44E-03	7,74E-07	-2,15E-04
Resource use, mineral and metals	kg Sb eq.	1,40E-05	1,34E-05	1,22E-10	3,40E-13	5,48E-07	3,35E-11	-9,74E-06
Resource use, fossils	MJ	5,65E+01	2,66E+00	2,36E-02	7,99E-05	5,38E+01	6,49E-03	-1,14E+00
Water use	m <sup>3</sup>	6,75E-01	1,38E-02	8,41E-06	5,12E-06	6,61E-01	6,27E-06	-1,95E-02

## Additional environmental impact indicators

Indicator	Unit	Total*	Manufacturing A1-A3	Distribution A4	Installation A5	Use B1-B7	End of Life C1-C4	Benefits and Loads D
Particulate matter	Disease incidences	5,18E-08	4,01E-09	2,54E-11	2,08E-13	4,77E-08	7,31E-12	-2,79E-09
Ionising radiation, human health	kBq U235 eq.	1,40E+00	2,22E-03	6,39E-06	1,68E-07	1,40E+00	1,98E-06	-2,78E-03
Ecotoxicity, freshwater	CTUe	1,05E+01	1,34E+00	3,06E-02	7,59E-05	9,08E+00	8,44E-03	-5,45E-01
Human toxicity, cancer	CTUh	8,99E-10	4,24E-11	4,13E-13	1,42E-15	8,56E-10	1,15E-13	-1,40E-10
Human toxicity, non-cancer	CTUh	1,97E-08	1,61E-09	2,31E-11	9,64E-14	1,80E-08	6,47E-12	-9,58E-10
Land Use	-	2,20E+01	4,08E-01	1,04E-02	2,18E-05	2,16E+01	2,84E-03	-1,34E-01

## Resources use indicators

Indicator	Unit	Total*	Manufacturing A1-A3	Distribution A4	Installation A5	Use B1-B7	End of Life C1-C4	Benefits and Loads D
Use of renewable primary energy	MJ	3,71E+01	3,31E-01	1,78E-03	9,39E-06	3,68E+01	4,94E-04	-1,41E-01
Total use of renewable primary energy resources	MJ	3,71E+01	3,31E-01	1,78E-03	9,39E-06	3,68E+01	4,94E-04	-1,41E-01
Use of non-renewable primary energy	MJ	5,65E+01	2,66E+00	2,36E-02	7,99E-05	5,38E+01	6,49E-03	-1,14E+00
Total use of non-renewable primary energy resources	MJ	5,65E+01	2,66E+00	2,36E-02	7,99E-05	5,38E+01	6,49E-03	-1,14E+00
Input of secondary material	kg	0,00E+00	0,00E+00	0,00E+00	0,00E+00	0,00E+00	0,00E+00	0,00E+00
Use of renewable secondary fuels (RSF)	MJ	0,00E+00	0,00E+00	0,00E+00	0,00E+00	0,00E+00	0,00E+00	0,00E+00
Use of non-renewable secondary fuels (NRSF)	MJ	0,00E+00	0,00E+00	0,00E+00	0,00E+00	0,00E+00	0,00E+00	0,00E+00
Use of net fresh water	m³	2,91E-02	5,32E-04	8,78E-07	1,22E-07	2,86E-02	3,35E-07	-4,41E-04

## Waste category indicators

Indicator	Unit	Total*	Manufacturing A1-A3	Distribution A4	Installation A5	Use B1-B7	End of Life C1-C4	Benefits and Loads D
Hazardous waste disposed	kg	7,11E-08	7,73E-10	9,45E-13	1,31E-14	7,03E-08	2,77E-13	-1,09E-07
Non-hazardous waste disposed	kg	5,17E-02	9,92E-03	3,29E-06	2,48E-05	4,17E-02	9,08E-05	-9,51E-04
Radioactive waste disposed	kg	8,51E-03	1,85E-05	4,45E-08	1,10E-09	8,49E-03	1,37E-08	-1,98E-05

\*In accordance with the current Product Category Rules (PCR), the values presented in the 'Total' column do not include the benefits and loads beyond the system boundaries as represented in 'Module D'.

The following table represents the environmental impact indicators for products other than the reference product covered by this Environmental Product Declaration (EPD).

Product number	Life Cycle Phase	Climate change - total	Climate change - fossil	Climate change - biogenic	Climate change -land use and land use change	Ozone depletion	Acidification	Eutrophication - freshwater	Eutrophication - marine	Eutrophication - terrestrial	Photochemical ozone formation	Resource use, mineral and metals	Resource use, fossils	Water use
1552790000 2508170000 1552820000 2508200000 2508180000 2508210000 2508220000 1552830000 2508160000 2508190000	Total*	1,87E+00	1,85E+00	1,75E-02	5,87E-03	4,11E-11	4,14E-03	3,88E-06	9,67E-04	1,08E-02	2,46E-03	8,04E-06	3,75E+01	4,48E-01
	Manufacturing	9,96E-02	1,00E-01	-6,38E-04	8,31E-05	1,29E-12	3,14E-04	1,32E-07	4,78E-05	4,67E-04	1,76E-04	7,68E-06	1,76E+00	9,34E-03
	Distribution	1,23E-03	1,25E-03	-2,76E-05	1,28E-05	2,07E-16	1,93E-06	3,36E-09	7,87E-07	8,35E-06	1,72E-06	8,30E-11	1,60E-02	5,71E-06
	Installation	1,24E-04	8,84E-06	1,15E-04	4,75E-08	1,56E-17	3,97E-08	3,90E-10	1,87E-08	1,64E-07	5,77E-08	5,06E-13	1,19E-04	7,61E-06
	Use	1,77E+00	1,75E+00	1,80E-02	5,77E-03	3,98E-11	3,83E-03	3,74E-06	9,18E-04	1,03E-02	2,28E-03	3,63E-07	3,57E+01	4,38E-01
	End of Life	4,06E-04	3,43E-04	6,04E-05	3,26E-06	6,35E-17	5,20E-07	2,44E-09	2,22E-07	2,24E-06	4,92E-07	2,13E-11	4,12E-03	3,98E-06
	Module D	-4,29E-02	-4,37E-02	9,72E-04	-1,87E-04	-1,18E-13	-1,98E-04	-1,16E-07	-4,17E-05	-4,40E-04	-1,33E-04	-5,60E-06	-7,32E-01	-1,14E-02
	Module D	-4,29E-02	-4,37E-02	9,72E-04	-1,87E-04	-1,18E-13	-1,98E-04	-1,16E-07	-4,17E-05	-4,40E-04	-1,33E-04	-5,60E-06	-7,32E-01	-1,14E-02
2674590000 2674600000	Total*	1,88E+00	1,85E+00	1,75E-02	5,87E-03	4,11E-11	4,15E-03	3,88E-06	9,68E-04	1,08E-02	2,46E-03	8,04E-06	3,75E+01	4,48E-01
	Manufacturing	1,03E-01	1,03E-01	-6,29E-04	8,41E-05	1,30E-12	3,18E-04	1,36E-07	4,90E-05	4,79E-04	1,81E-04	7,68E-06	1,82E+00	9,37E-03
	Distribution	1,23E-03	1,25E-03	-2,76E-05	1,28E-05	2,07E-16	1,93E-06	3,36E-09	7,87E-07	8,35E-06	1,72E-06	8,30E-11	1,60E-02	5,71E-06
	Installation	1,24E-04	8,84E-06	1,15E-04	4,75E-08	1,56E-17	3,97E-08	3,90E-10	1,87E-08	1,64E-07	5,77E-08	5,06E-13	1,19E-04	7,61E-06
	Use	1,77E+00	1,75E+00	1,80E-02	5,77E-03	3,98E-11	3,83E-03	3,74E-06	9,18E-04	1,03E-02	2,28E-03	3,63E-07	3,57E+01	4,38E-01
	End of Life	4,06E-04	3,43E-04	6,04E-05	3,26E-06	6,35E-17	5,20E-07	2,44E-09	2,22E-07	2,24E-06	4,92E-07	2,13E-11	4,12E-03	3,98E-06
	Module D	-4,43E-02	-4,51E-02	9,76E-04	-1,86E-04	-1,20E-13	-1,99E-04	-1,17E-07	-4,25E-05	-4,48E-04	-1,36E-04	-5,54E-06	-7,57E-01	-1,15E-02
2508020000	Total*	1,88E+00	1,86E+00	1,75E-02	5,87E-03	4,11E-11	4,16E-03	3,89E-06	9,71E-04	1,08E-02	2,47E-03	8,04E-06	3,76E+01	4,48E-01
	Manufacturing	1,09E-01	1,10E-01	-6,01E-04	8,70E-05	1,31E-12	3,29E-04	1,44E-07	5,18E-05	5,04E-04	1,91E-04	7,68E-06	1,94E+00	9,51E-03
	Distribution	1,33E-03	1,35E-03	-2,99E-05	1,39E-05	2,24E-16	2,09E-06	3,64E-09	8,51E-07	9,03E-06	1,86E-06	8,98E-11	1,73E-02	6,17E-06
	Installation	1,24E-04	8,84E-06	1,15E-04	4,75E-08	1,56E-17	3,97E-08	3,90E-10	1,87E-08	1,64E-07	5,77E-08	5,06E-13	1,19E-04	7,61E-06
	Use	1,77E+00	1,75E+00	1,80E-02	5,77E-03	3,98E-11	3,83E-03	3,74E-06	9,18E-04	1,03E-02	2,28E-03	3,63E-07	3,57E+01	4,38E-01
	End of Life	4,44E-04	3,74E-04	6,60E-05	3,56E-06	6,93E-17	5,68E-07	2,67E-09	2,43E-07	2,44E-06	5,37E-07	2,32E-11	4,50E-03	4,35E-06
	Module D	-4,76E-02	-4,84E-02	9,80E-04	-1,89E-04	-1,27E-13	-2,06E-04	-1,22E-07	-4,48E-05	-4,72E-04	-1,44E-04	-5,60E-06	-8,15E-01	-1,19E-02
2490360000	Total*	7,10E+00	7,02E+00	6,14E-02	2,15E-02	1,57E-10	1,67E-02	1,44E-05	3,67E-03	4,06E-02	9,56E-03	9,00E-05	1,41E+02	1,65E+00
	Manufacturing	7,41E-01	7,45E-01	-3,84E-03	7,29E-04	1,41E-11	3,00E-03	9,90E-07	3,73E-04	3,68E-03	1,38E-03	8,87E-05	1,28E+01	8,21E-02
	Distribution	9,43E-03	9,54E-03	-2,11E-04	9,83E-05	1,58E-15	1,48E-05	2,57E-08	6,02E-06	6,39E-05	1,32E-05	6,35E-10	1,22E-01	4,37E-05
	Installation	6,79E-04	4,86E-05	6,30E-04	2,61E-07	8,60E-17	2,18E-07	2,15E-09	1,03E-07	9,02E-07	3,17E-07	2,78E-12	6,53E-04	4,18E-05
	Use	6,35E+00	6,26E+00	6,44E-02	2,07E-02	1,43E-10	1,37E-02	1,34E-05	3,29E-03	3,69E-02	8,16E-03	1,30E-06	1,28E+02	1,57E+00
	End of Life	3,22E-03	2,72E-03	4,79E-04	2,59E-05	5,03E-16	4,12E-06	1,94E-08	1,76E-06	1,77E-05	3,90E-06	1,68E-10	3,26E-02	3,16E-05

	Module D	-3,16E-01	-3,20E-01	6,36E-03	-2,10E-03	-9,79E-13	-1,97E-03	-1,09E-06	-3,57E-04	-3,79E-03	-1,12E-03	-6,45E-05	5,12E+00	-1,15E-01
2876670000 2490370000 2876690000 2697900000 2876660000 2876680000	Total*	7,10E+00	7,02E+00	6,14E-02	2,15E-02	1,57E-10	1,67E-02	1,44E-05	3,67E-03	4,06E-02	9,56E-03	9,00E-05	1,41E+02	1,65E+00
	Manufacturing	7,41E-01	7,44E-01	-3,84E-03	7,25E-04	1,41E-11	3,00E-03	9,89E-07	3,73E-04	3,68E-03	1,38E-03	8,87E-05	1,28E+01	8,21E-02
	Distribution	9,43E-03	9,54E-03	-2,11E-04	9,83E-05	1,58E-15	1,48E-05	2,57E-08	6,02E-06	6,39E-05	1,32E-05	6,35E-10	1,22E-01	4,37E-05
	Installation	6,79E-04	4,86E-05	6,30E-04	2,61E-07	8,60E-17	2,18E-07	2,15E-09	1,03E-07	9,02E-07	3,17E-07	2,78E-12	6,53E-04	4,18E-05
	Use	6,35E+00	6,26E+00	6,44E-02	2,07E-02	1,43E-10	1,37E-02	1,34E-05	3,29E-03	3,69E-02	8,16E-03	1,30E-06	1,28E+02	1,57E+00
	End of Life	3,22E-03	2,72E-03	4,79E-04	2,59E-05	5,03E-16	4,12E-06	1,94E-08	1,76E-06	1,77E-05	3,90E-06	1,68E-10	3,26E-02	3,16E-05
	Module D	-3,16E-01	-3,20E-01	6,36E-03	-2,10E-03	-9,79E-13	-1,97E-03	-1,09E-06	-3,57E-04	-3,79E-03	-1,12E-03	-6,45E-05	5,12E+00	-1,15E-01
2674940000	Total*	7,11E+00	7,03E+00	6,03E-02	2,15E-02	1,57E-10	1,68E-02	1,45E-05	3,68E-03	4,07E-02	9,57E-03	9,00E-05	1,41E+02	1,65E+00
	Manufacturing	7,49E-01	7,53E-01	-5,09E-03	7,38E-04	1,41E-11	3,02E-03	1,01E-06	3,78E-04	3,72E-03	1,39E-03	8,87E-05	1,29E+01	8,23E-02
	Distribution	9,62E-03	9,74E-03	-2,16E-04	1,00E-04	1,62E-15	1,51E-05	2,63E-08	6,14E-06	6,52E-05	1,34E-05	6,48E-10	1,25E-01	4,46E-05
	Installation	8,51E-04	6,09E-05	7,89E-04	3,27E-07	1,08E-16	2,74E-07	2,69E-09	1,29E-07	1,13E-06	3,98E-07	3,48E-12	8,18E-04	5,24E-05
	Use	6,35E+00	6,26E+00	6,44E-02	2,07E-02	1,43E-10	1,37E-02	1,34E-05	3,29E-03	3,69E-02	8,16E-03	1,30E-06	1,28E+02	1,57E+00
	End of Life	3,22E-03	2,72E-03	4,79E-04	2,59E-05	5,03E-16	4,12E-06	1,94E-08	1,76E-06	1,77E-05	3,90E-06	1,68E-10	3,26E-02	3,16E-05
	Module D	-3,19E-01	-3,25E-01	7,43E-03	-2,09E-03	-9,88E-13	-1,97E-03	-1,10E-06	-3,60E-04	-3,82E-03	-1,13E-03	-6,43E-05	5,20E+00	-1,15E-01
2674950000	Total*	7,11E+00	7,03E+00	6,15E-02	2,15E-02	1,57E-10	1,67E-02	1,44E-05	3,67E-03	4,07E-02	9,57E-03	9,00E-05	1,41E+02	1,65E+00
	Manufacturing	7,49E-01	7,52E-01	-3,81E-03	7,28E-04	1,41E-11	3,01E-03	1,00E-06	3,76E-04	3,71E-03	1,39E-03	8,87E-05	1,29E+01	8,22E-02
	Distribution	9,43E-03	9,54E-03	-2,11E-04	9,83E-05	1,58E-15	1,48E-05	2,57E-08	6,02E-06	6,39E-05	1,32E-05	6,35E-10	1,22E-01	4,37E-05
	Installation	6,79E-04	4,86E-05	6,30E-04	2,61E-07	8,60E-17	2,18E-07	2,15E-09	1,03E-07	9,02E-07	3,17E-07	2,78E-12	6,53E-04	4,18E-05
	Use	6,35E+00	6,26E+00	6,44E-02	2,07E-02	1,43E-10	1,37E-02	1,34E-05	3,29E-03	3,69E-02	8,16E-03	1,30E-06	1,28E+02	1,57E+00
	End of Life	3,22E-03	2,72E-03	4,79E-04	2,59E-05	5,03E-16	4,12E-06	1,94E-08	1,76E-06	1,77E-05	3,90E-06	1,68E-10	3,26E-02	3,16E-05
	Module D	-3,20E-01	-3,24E-01	6,37E-03	-2,09E-03	-9,86E-13	-1,97E-03	-1,09E-06	-3,59E-04	-3,81E-03	-1,13E-03	-6,43E-05	5,20E+00	-1,15E-01
2494000000	Total*	1,12E+01	1,11E+01	1,02E-01	3,48E-02	2,49E-10	2,58E-02	2,31E-05	5,81E-03	6,46E-02	1,49E-02	1,01E-04	2,24E+02	2,66E+00
	Manufacturing	8,36E-01	8,40E-01	-4,63E-03	8,17E-04	1,57E-11	3,36E-03	1,12E-06	4,20E-04	4,15E-03	1,55E-03	9,90E-05	1,44E+01	9,15E-02
	Distribution	1,07E-02	1,08E-02	-2,40E-04	1,12E-04	1,80E-15	1,68E-05	2,93E-08	6,84E-06	7,26E-05	1,50E-05	7,22E-10	1,39E-01	4,96E-05
	Installation	8,13E-04	5,81E-05	7,54E-04	3,12E-07	1,03E-16	2,61E-07	2,57E-09	1,23E-07	1,08E-06	3,80E-07	3,33E-12	7,82E-04	5,00E-05
	Use	1,04E+01	1,02E+01	1,05E-01	3,38E-02	2,33E-10	2,24E-02	2,19E-05	5,38E-03	6,03E-02	1,34E-02	2,13E-06	2,09E+02	2,57E+00
	End of Life	3,64E-03	3,07E-03	5,42E-04	2,93E-05	5,69E-16	4,66E-06	2,19E-08	1,99E-06	2,01E-05	4,41E-06	1,91E-10	3,69E-02	3,57E-05
	Module D	-3,54E-01	-3,59E-01	7,44E-03	-2,34E-03	-1,10E-12	-2,20E-03	-1,22E-06	-3,99E-04	-4,23E-03	-1,25E-03	-7,19E-05	5,75E+00	-1,27E-01
2494100000	Total*	1,12E+01	1,11E+01	1,05E-01	3,48E-02	2,49E-10	2,58E-02	2,31E-05	5,81E-03	6,45E-02	1,49E-02	1,01E-04	2,24E+02	2,66E+00
	Manufacturing	8,37E-01	8,38E-01	-1,48E-03	7,97E-04	1,57E-11	3,35E-03	1,09E-06	4,17E-04	4,11E-03	1,55E-03	9,90E-05	1,44E+01	9,12E-02
	Distribution	1,02E-02	1,04E-02	-2,30E-04	1,07E-04	1,72E-15	1,60E-05	2,80E-08	6,54E-06	6,94E-05	1,43E-05	6,90E-10	1,33E-01	4,74E-05
	Installation	3,88E-04	2,77E-05	3,60E-04	1,49E-07	4,91E-17	1,25E-07	1,22E-09	5,88E-08	5,15E-07	1,81E-07	1,59E-12	3,73E-04	2,39E-05
	Use	1,04E+01	1,02E+01	1,05E-01	3,38E-02	2,33E-10	2,24E-02	2,19E-05	5,38E-03	6,03E-02	1,34E-02	2,13E-06	2,09E+02	2,57E+00
	End of Life	3,64E-03	3,07E-03	5,42E-04	2,93E-05	5,69E-16	4,66E-06	2,19E-08	1,99E-06	2,01E-05	4,41E-06	1,91E-10	3,69E-02	3,57E-05
	Module D	-3,55E-01	-3,57E-01	4,82E-03	-2,33E-03	-1,09E-12	-2,19E-03	-1,19E-06	-3,97E-04	-4,21E-03	-1,25E-03	-7,19E-05	5,73E+00	-1,27E-01
2675000000	Total*	1,12E+01	1,11E+01	1,02E-01	3,48E-02	2,49E-10	2,58E-02	2,31E-05	5,82E-03	6,46E-02	1,49E-02	1,01E-04	2,24E+02	2,66E+00
	Manufacturing	8,46E-01	8,50E-01	-4,60E-03	8,21E-04	1,58E-11	3,37E-03	1,13E-06	4,24E-04	4,18E-03	1,57E-03	9,90E-05	1,46E+01	9,16E-02

	Distribution	1,07E-02	1,08E-02	-2,40E-04	1,12E-04	1,80E-15	1,68E-05	2,93E-08	6,84E-06	7,26E-05	1,50E-05	7,22E-10	1,39E-01	4,96E-05
	Installation	8,13E-04	5,81E-05	7,54E-04	3,12E-07	1,03E-16	2,61E-07	2,57E-09	1,23E-07	1,08E-06	3,80E-07	3,33E-12	7,82E-04	5,00E-05
	Use	1,04E+01	1,02E+01	1,05E-01	3,38E-02	2,33E-10	2,24E-02	2,19E-05	5,38E-03	6,03E-02	1,34E-02	2,13E-06	2,09E+02	2,57E+00
	End of Life	3,64E-03	3,07E-03	5,42E-04	2,93E-05	5,69E-16	4,66E-06	2,19E-08	1,99E-06	2,01E-05	4,41E-06	1,91E-10	3,69E-02	3,57E-05
	Module D	-3,59E-01	-3,64E-01	7,45E-03	-2,33E-03	-1,11E-12	-2,20E-03	-1,22E-06	-4,02E-04	-4,26E-03	-1,26E-03	-7,16E-05	5,84E+00	-1,28E-01
2675010000	Total*	1,12E+01	1,11E+01	1,05E-01	3,48E-02	2,49E-10	2,58E-02	2,31E-05	5,81E-03	6,46E-02	1,49E-02	1,01E-04	2,24E+02	2,66E+00
	Manufacturing	8,47E-01	8,48E-01	-1,45E-03	8,00E-04	1,58E-11	3,37E-03	1,10E-06	4,21E-04	4,15E-03	1,56E-03	9,90E-05	1,46E+01	9,14E-02
	Distribution	1,02E-02	1,04E-02	-2,30E-04	1,07E-04	1,72E-15	1,60E-05	2,80E-08	6,54E-06	6,94E-05	1,43E-05	6,90E-10	1,33E-01	4,74E-05
	Installation	3,88E-04	2,77E-05	3,60E-04	1,49E-07	4,91E-17	1,25E-07	1,22E-09	5,88E-08	5,15E-07	1,81E-07	1,59E-12	3,73E-04	2,39E-05
	Use	1,04E+01	1,02E+01	1,05E-01	3,38E-02	2,33E-10	2,24E-02	2,19E-05	5,38E-03	6,03E-02	1,34E-02	2,13E-06	2,09E+02	2,57E+00
	End of Life	3,64E-03	3,07E-03	5,42E-04	2,93E-05	5,69E-16	4,66E-06	2,19E-08	1,99E-06	2,01E-05	4,41E-06	1,91E-10	3,69E-02	3,57E-05
	Module D	-3,60E-01	-3,62E-01	4,82E-03	-2,32E-03	-1,10E-12	-2,19E-03	-1,19E-06	-3,99E-04	-4,24E-03	-1,26E-03	-7,16E-05	5,82E+00	-1,27E-01
2862830000	Total*	1,12E+01	1,11E+01	1,02E-01	3,48E-02	2,49E-10	2,58E-02	2,31E-05	5,81E-03	6,46E-02	1,49E-02	1,01E-04	2,24E+02	2,66E+00
	Manufacturing	8,36E-01	8,40E-01	-4,63E-03	8,14E-04	1,57E-11	3,36E-03	1,12E-06	4,20E-04	4,14E-03	1,55E-03	9,90E-05	1,44E+01	9,15E-02
	Distribution	1,07E-02	1,08E-02	-2,40E-04	1,12E-04	1,80E-15	1,68E-05	2,93E-08	6,84E-06	7,26E-05	1,50E-05	7,22E-10	1,39E-01	4,96E-05
	Installation	8,13E-04	5,81E-05	7,54E-04	3,12E-07	1,03E-16	2,61E-07	2,57E-09	1,23E-07	1,08E-06	3,80E-07	3,33E-12	7,82E-04	5,00E-05
	Use	1,04E+01	1,02E+01	1,05E-01	3,38E-02	2,33E-10	2,24E-02	2,19E-05	5,38E-03	6,03E-02	1,34E-02	2,13E-06	2,09E+02	2,57E+00
	End of Life	3,64E-03	3,07E-03	5,42E-04	2,93E-05	5,69E-16	4,66E-06	2,19E-08	1,99E-06	2,01E-05	4,41E-06	1,91E-10	3,69E-02	3,57E-05
	Module D	-3,54E-01	-3,59E-01	7,44E-03	-2,34E-03	-1,10E-12	-2,20E-03	-1,22E-06	-3,99E-04	-4,23E-03	-1,25E-03	-7,19E-05	5,75E+00	-1,27E-01
1521980000 2508030000 2508000000 1521950000 2003110000 1521930000 1521900000	Total*	2,83E+00	2,79E+00	2,69E-02	8,83E-03	6,25E-11	6,29E-03	5,86E-06	1,46E-03	1,63E-02	3,71E-03	1,40E-05	5,65E+01	6,75E-01
	Manufacturing	1,54E-01	1,54E-01	-3,64E-04	1,02E-04	2,39E-12	5,11E-04	2,10E-07	7,43E-05	7,29E-04	2,74E-04	1,34E-05	2,66E+00	1,38E-02
	Distribution	1,82E-03	1,84E-03	-4,07E-05	1,89E-05	3,05E-16	2,84E-06	4,96E-09	1,16E-06	1,23E-05	2,54E-06	1,22E-10	2,36E-02	8,41E-06
	Installation	8,31E-05	5,94E-06	7,71E-05	3,19E-08	1,05E-17	2,67E-08	2,62E-10	1,26E-08	1,10E-07	3,88E-08	3,40E-13	7,99E-05	5,12E-06
	Use	2,67E+00	2,64E+00	2,71E-02	8,70E-03	6,01E-11	5,78E-03	5,64E-06	1,39E-03	1,55E-02	3,44E-03	5,48E-07	5,38E+01	6,61E-01
	End of Life	6,40E-04	5,40E-04	9,51E-05	5,14E-06	1,00E-16	8,19E-07	3,84E-09	3,50E-07	3,52E-06	7,74E-07	3,35E-11	6,49E-03	6,27E-06
	Module D	-6,79E-02	-6,86E-02	9,71E-04	-3,22E-04	-1,90E-13	-3,34E-04	-1,87E-07	-6,74E-05	-7,13E-04	-2,15E-04	-9,74E-06	1,14E+00	-1,95E-02
1521880000	Total*	2,83E+00	2,79E+00	2,69E-02	8,83E-03	6,25E-11	6,29E-03	5,86E-06	1,46E-03	1,63E-02	3,71E-03	1,40E-05	5,65E+01	6,75E-01
	Manufacturing	1,54E-01	1,54E-01	-3,65E-04	1,04E-04	2,39E-12	5,11E-04	2,10E-07	7,43E-05	7,30E-04	2,74E-04	1,34E-05	2,66E+00	1,38E-02
	Distribution	1,82E-03	1,84E-03	-4,07E-05	1,89E-05	3,05E-16	2,84E-06	4,96E-09	1,16E-06	1,23E-05	2,54E-06	1,22E-10	2,36E-02	8,41E-06
	Installation	8,31E-05	5,94E-06	7,71E-05	3,19E-08	1,05E-17	2,67E-08	2,62E-10	1,26E-08	1,10E-07	3,88E-08	3,40E-13	7,99E-05	5,12E-06
	Use	2,67E+00	2,64E+00	2,71E-02	8,70E-03	6,01E-11	5,78E-03	5,64E-06	1,39E-03	1,55E-02	3,44E-03	5,48E-07	5,38E+01	6,61E-01
	End of Life	6,40E-04	5,40E-04	9,51E-05	5,14E-06	1,00E-16	8,19E-07	3,84E-09	3,50E-07	3,52E-06	7,74E-07	3,35E-11	6,49E-03	6,27E-06
	Module D	-6,79E-02	-6,86E-02	9,71E-04	-3,22E-04	-1,90E-13	-3,34E-04	-1,87E-07	-6,74E-05	-7,13E-04	-2,15E-04	-9,74E-06	1,14E+00	-1,95E-02
2674690000 2799150000	Total*	2,84E+00	2,80E+00	2,70E-02	8,83E-03	6,25E-11	6,30E-03	5,87E-06	1,46E-03	1,63E-02	3,72E-03	1,39E-05	5,66E+01	6,75E-01
	Manufacturing	1,61E-01	1,61E-01	-2,11E-04	1,03E-04	2,43E-12	5,17E-04	2,24E-07	7,72E-05	7,59E-04	2,83E-04	1,33E-05	2,77E+00	1,38E-02
	Distribution	1,82E-03	1,84E-03	-4,07E-05	1,89E-05	3,05E-16	2,84E-06	4,96E-09	1,16E-06	1,23E-05	2,54E-06	1,22E-10	2,36E-02	8,41E-06
	Installation	8,31E-05	5,94E-06	7,71E-05	3,19E-08	1,05E-17	2,67E-08	2,62E-10	1,26E-08	1,10E-07	3,88E-08	3,40E-13	7,99E-05	5,12E-06
	Use	2,67E+00	2,64E+00	2,71E-02	8,70E-03	6,01E-11	5,78E-03	5,64E-06	1,39E-03	1,55E-02	3,44E-03	5,48E-07	5,38E+01	6,61E-01

	End of Life	6,40E-04	5,40E-04	9,51E-05	5,14E-06	1,00E-16	8,19E-07	3,84E-09	3,50E-07	3,52E-06	7,74E-07	3,35E-11	6,49E-03	6,27E-06
	Module D	-7,04E-02	-7,10E-02	9,76E-04	-3,19E-04	-1,95E-13	-3,36E-04	-1,88E-07	-6,88E-05	-7,27E-04	-2,20E-04	-9,63E-06	1,18E+00	-1,96E-02
2674700000	Total*	2,84E+00	2,80E+00	2,70E-02	8,83E-03	6,25E-11	6,30E-03	5,87E-06	1,46E-03	1,63E-02	3,72E-03	1,39E-05	5,66E+01	6,75E-01
	Manufacturing	1,61E-01	1,61E-01	-2,13E-04	1,05E-04	2,43E-12	5,17E-04	2,24E-07	7,73E-05	7,60E-04	2,84E-04	1,33E-05	2,77E+00	1,38E-02
	Distribution	1,82E-03	1,84E-03	-4,07E-05	1,89E-05	3,05E-16	2,84E-06	4,96E-09	1,16E-06	1,23E-05	2,54E-06	1,22E-10	2,36E-02	8,41E-06
	Installation	8,31E-05	5,94E-06	7,71E-05	3,19E-08	1,05E-17	2,67E-08	2,62E-10	1,26E-08	1,10E-07	3,88E-08	3,40E-13	7,99E-05	5,12E-06
	Use	2,67E+00	2,64E+00	2,71E-02	8,70E-03	6,01E-11	5,78E-03	5,64E-06	1,39E-03	1,55E-02	3,44E-03	5,48E-07	5,38E+01	6,61E-01
	End of Life	6,40E-04	5,40E-04	9,51E-05	5,14E-06	1,00E-16	8,19E-07	3,84E-09	3,50E-07	3,52E-06	7,74E-07	3,35E-11	6,49E-03	6,27E-06
	Module D	-7,04E-02	-7,10E-02	9,76E-04	-3,19E-04	-1,95E-13	-3,36E-04	-1,88E-07	-6,88E-05	-7,27E-04	-2,20E-04	-9,63E-06	1,18E+00	-1,96E-02
1521970000 1521940000	Total*	2,86E+00	2,82E+00	2,70E-02	8,86E-03	6,25E-11	6,35E-03	5,92E-06	1,47E-03	1,64E-02	3,77E-03	1,40E-05	5,76E+01	6,75E-01
	Manufacturing	1,82E-01	1,83E-01	-2,46E-04	1,31E-04	2,45E-12	5,74E-04	2,77E-07	8,48E-05	8,46E-04	3,26E-04	1,34E-05	3,74E+00	1,40E-02
	Distribution	1,82E-03	1,84E-03	-4,07E-05	1,89E-05	3,05E-16	2,84E-06	4,96E-09	1,16E-06	1,23E-05	2,54E-06	1,22E-10	2,36E-02	8,41E-06
	Installation	8,31E-05	5,94E-06	7,71E-05	3,19E-08	1,05E-17	2,67E-08	2,62E-10	1,26E-08	1,10E-07	3,88E-08	3,40E-13	7,99E-05	5,12E-06
	Use	2,67E+00	2,64E+00	2,71E-02	8,70E-03	6,01E-11	5,78E-03	5,64E-06	1,39E-03	1,55E-02	3,44E-03	5,48E-07	5,38E+01	6,61E-01
	End of Life	6,40E-04	5,40E-04	9,51E-05	5,14E-06	1,00E-16	8,19E-07	3,84E-09	3,50E-07	3,52E-06	7,74E-07	3,35E-11	6,49E-03	6,27E-06
	Module D	-6,79E-02	-6,86E-02	9,71E-04	-3,22E-04	-1,90E-13	-3,34E-04	-1,87E-07	-6,74E-05	-7,13E-04	-2,15E-04	-9,74E-06	1,14E+00	-1,95E-02
2051180000	Total*	3,19E+00	3,15E+00	2,93E-02	9,80E-03	7,03E-11	7,36E-03	6,51E-06	1,65E-03	1,83E-02	4,25E-03	3,05E-05	6,35E+01	7,51E-01
	Manufacturing	2,73E-01	2,73E-01	-4,90E-04	2,66E-04	4,80E-12	1,05E-03	3,45E-07	1,34E-04	1,32E-03	4,98E-04	2,99E-05	4,72E+00	2,99E-02
	Distribution	3,12E-03	3,15E-03	-6,99E-05	3,25E-05	5,24E-16	4,88E-06	8,51E-09	1,99E-06	2,11E-05	4,35E-06	2,10E-10	4,05E-02	1,44E-05
	Installation	1,25E-04	8,91E-06	1,16E-04	4,78E-08	1,58E-17	4,00E-08	3,93E-10	1,89E-08	1,65E-07	5,82E-08	5,10E-13	1,20E-04	7,67E-06
	Use	2,92E+00	2,88E+00	2,96E-02	9,49E-03	6,55E-11	6,30E-03	6,15E-06	1,51E-03	1,69E-02	3,75E-03	5,98E-07	5,87E+01	7,21E-01
	End of Life	1,11E-03	9,33E-04	1,64E-04	8,89E-06	1,73E-16	1,42E-06	6,65E-09	6,05E-07	6,09E-06	1,34E-06	5,79E-11	1,12E-02	1,08E-05
	Module D	-1,20E-01	-1,21E-01	1,50E-03	-7,07E-04	-3,55E-13	-6,85E-04	-3,74E-07	-1,28E-04	-1,36E-03	-4,06E-04	-2,17E-05	1,96E+00	-3,97E-02
2051310000 2051260000 2051330000 2051230000 2051220000 2051290000 2051250000	Total*	3,19E+00	3,15E+00	2,93E-02	9,78E-03	7,03E-11	7,34E-03	6,51E-06	1,65E-03	1,83E-02	4,25E-03	3,05E-05	6,34E+01	7,50E-01
	Manufacturing	2,69E-01	2,69E-01	-5,00E-04	2,47E-04	4,75E-12	1,04E-03	3,44E-07	1,33E-04	1,31E-03	4,93E-04	2,99E-05	4,64E+00	2,90E-02
	Distribution	3,12E-03	3,15E-03	-6,99E-05	3,25E-05	5,24E-16	4,88E-06	8,51E-09	1,99E-06	2,11E-05	4,35E-06	2,10E-10	4,05E-02	1,44E-05
	Installation	1,25E-04	8,91E-06	1,16E-04	4,78E-08	1,58E-17	4,00E-08	3,93E-10	1,89E-08	1,65E-07	5,82E-08	5,10E-13	1,20E-04	7,67E-06
	Use	2,92E+00	2,88E+00	2,96E-02	9,49E-03	6,55E-11	6,30E-03	6,15E-06	1,51E-03	1,69E-02	3,75E-03	5,98E-07	5,87E+01	7,21E-01
	End of Life	1,11E-03	9,33E-04	1,64E-04	8,89E-06	1,73E-16	1,42E-06	6,65E-09	6,05E-07	6,09E-06	1,34E-06	5,79E-11	1,12E-02	1,08E-05
	Module D	-1,20E-01	-1,21E-01	1,50E-03	-7,07E-04	-3,55E-13	-6,85E-04	-3,74E-07	-1,28E-04	-1,36E-03	-4,06E-04	-2,17E-05	1,96E+00	-3,97E-02
2051210000	Total*	3,19E+00	3,15E+00	2,93E-02	9,80E-03	7,03E-11	7,36E-03	6,51E-06	1,65E-03	1,83E-02	4,25E-03	3,05E-05	6,35E+01	7,51E-01
	Manufacturing	2,73E-01	2,73E-01	-4,93E-04	2,67E-04	4,80E-12	1,05E-03	3,46E-07	1,34E-04	1,33E-03	4,98E-04	2,99E-05	4,73E+00	2,99E-02
	Distribution	3,12E-03	3,15E-03	-6,99E-05	3,25E-05	5,24E-16	4,88E-06	8,51E-09	1,99E-06	2,11E-05	4,35E-06	2,10E-10	4,05E-02	1,44E-05
	Installation	1,25E-04	8,91E-06	1,16E-04	4,78E-08	1,58E-17	4,00E-08	3,93E-10	1,89E-08	1,65E-07	5,82E-08	5,10E-13	1,20E-04	7,67E-06
	Use	2,92E+00	2,88E+00	2,96E-02	9,49E-03	6,55E-11	6,30E-03	6,15E-06	1,51E-03	1,69E-02	3,75E-03	5,98E-07	5,87E+01	7,21E-01
	End of Life	1,11E-03	9,33E-04	1,64E-04	8,89E-06	1,73E-16	1,42E-06	6,65E-09	6,05E-07	6,09E-06	1,34E-06	5,79E-11	1,12E-02	1,08E-05
	Module D	-1,20E-01	-1,21E-01	1,50E-03	-7,07E-04	-3,55E-13	-6,85E-04	-3,74E-07	-1,28E-04	-1,36E-03	-4,06E-04	-2,17E-05	1,96E+00	-3,97E-02
2534370000	Total*	3,19E+00	3,15E+00	2,91E-02	9,79E-03	7,03E-11	7,34E-03	6,51E-06	1,65E-03	1,83E-02	4,25E-03	3,05E-05	6,34E+01	7,50E-01

2534380000	Manufacturing	2,69E-01	2,69E-01	-6,73E-04	2,49E-04	4,75E-12	1,04E-03	3,46E-07	1,33E-04	1,31E-03	4,93E-04	2,99E-05	4,65E+00	2,90E-02
	Distribution	3,14E-03	3,18E-03	-7,05E-05	3,28E-05	5,28E-16	4,93E-06	8,58E-09	2,01E-06	2,13E-05	4,39E-06	2,12E-10	4,08E-02	1,46E-05
	Installation	1,48E-04	1,06E-05	1,37E-04	5,68E-08	1,87E-17	4,75E-08	4,67E-10	2,24E-08	1,96E-07	6,90E-08	6,05E-13	1,42E-04	9,10E-06
	Use	2,92E+00	2,88E+00	2,96E-02	9,49E-03	6,55E-11	6,30E-03	6,15E-06	1,51E-03	1,69E-02	3,75E-03	5,98E-07	5,87E+01	7,21E-01
	End of Life	1,11E-03	9,33E-04	1,64E-04	8,89E-06	1,73E-16	1,42E-06	6,65E-09	6,05E-07	6,09E-06	1,34E-06	5,79E-11	1,12E-02	1,08E-05
	Module D	-1,20E-01	-1,21E-01	1,64E-03	-7,08E-04	-3,55E-13	-6,85E-04	-3,76E-07	-1,28E-04	-1,36E-03	-4,06E-04	-2,17E-05	1,96E+00	-3,97E-02
2674780000 2799170000	Total*	3,19E+00	3,16E+00	2,93E-02	9,79E-03	7,03E-11	7,35E-03	6,52E-06	1,65E-03	1,83E-02	4,26E-03	3,05E-05	6,35E+01	7,50E-01
	Manufacturing	2,75E-01	2,75E-01	-4,79E-04	2,49E-04	4,77E-12	1,04E-03	3,52E-07	1,35E-04	1,33E-03	5,02E-04	2,99E-05	4,76E+00	2,91E-02
	Distribution	3,12E-03	3,15E-03	-6,99E-05	3,25E-05	5,24E-16	4,88E-06	8,51E-09	1,99E-06	2,11E-05	4,35E-06	2,10E-10	4,05E-02	1,44E-05
	Installation	1,25E-04	8,91E-06	1,16E-04	4,78E-08	1,58E-17	4,00E-08	3,93E-10	1,89E-08	1,65E-07	5,82E-08	5,10E-13	1,20E-04	7,67E-06
	Use	2,92E+00	2,88E+00	2,96E-02	9,49E-03	6,55E-11	6,30E-03	6,15E-06	1,51E-03	1,69E-02	3,75E-03	5,98E-07	5,87E+01	7,21E-01
	End of Life	1,11E-03	9,33E-04	1,64E-04	8,89E-06	1,73E-16	1,42E-06	6,65E-09	6,05E-07	6,09E-06	1,34E-06	5,79E-11	1,12E-02	1,08E-05
2674790000	Total*	3,19E+00	3,16E+00	2,93E-02	9,79E-03	7,03E-11	7,35E-03	6,52E-06	1,65E-03	1,83E-02	4,26E-03	3,05E-05	6,35E+01	7,50E-01
	Manufacturing	2,75E-01	2,75E-01	-4,82E-04	2,51E-04	4,77E-12	1,04E-03	3,52E-07	1,35E-04	1,33E-03	5,02E-04	2,99E-05	4,76E+00	2,91E-02
	Distribution	3,12E-03	3,15E-03	-6,99E-05	3,25E-05	5,24E-16	4,88E-06	8,51E-09	1,99E-06	2,11E-05	4,35E-06	2,10E-10	4,05E-02	1,44E-05
	Installation	1,25E-04	8,91E-06	1,16E-04	4,78E-08	1,58E-17	4,00E-08	3,93E-10	1,89E-08	1,65E-07	5,82E-08	5,10E-13	1,20E-04	7,67E-06
	Use	2,92E+00	2,88E+00	2,96E-02	9,49E-03	6,55E-11	6,30E-03	6,15E-06	1,51E-03	1,69E-02	3,75E-03	5,98E-07	5,87E+01	7,21E-01
	End of Life	1,11E-03	9,33E-04	1,64E-04	8,89E-06	1,73E-16	1,42E-06	6,65E-09	6,05E-07	6,09E-06	1,34E-06	5,79E-11	1,12E-02	1,08E-05
1992110000	Total*	4,53E+00	4,47E+00	4,16E-02	1,39E-02	9,88E-11	1,03E-02	9,25E-06	2,33E-03	2,59E-02	6,01E-03	3,39E-05	9,02E+01	1,06E+00
	Manufacturing	3,72E-01	3,72E-01	-7,71E-04	3,18E-04	5,45E-12	1,27E-03	4,74E-07	1,78E-04	1,74E-03	6,63E-04	3,30E-05	6,52E+00	3,37E-02
	Distribution	4,48E-03	4,53E-03	-1,00E-04	4,67E-05	7,52E-16	7,02E-06	1,22E-08	2,86E-06	3,03E-05	6,25E-06	3,02E-10	5,81E-02	2,07E-05
	Installation	2,04E-04	1,46E-05	1,89E-04	7,83E-08	2,58E-17	6,55E-08	6,44E-10	3,09E-08	2,71E-07	9,52E-08	8,34E-13	1,96E-04	1,25E-05
	Use	4,15E+00	4,09E+00	4,21E-02	1,35E-02	9,33E-11	8,97E-03	8,76E-06	2,15E-03	2,41E-02	5,34E-03	8,51E-07	8,36E+01	1,03E+00
	End of Life	1,58E-03	1,33E-03	2,35E-04	1,27E-05	2,47E-16	2,02E-06	9,48E-09	8,63E-07	8,69E-06	1,91E-06	8,26E-11	1,60E-02	1,55E-05
1991790000 2978110000 1991800000	Total*	4,53E+00	4,47E+00	4,17E-02	1,39E-02	9,88E-11	1,03E-02	9,25E-06	2,33E-03	2,59E-02	6,01E-03	3,39E-05	9,02E+01	1,06E+00
	Manufacturing	3,72E-01	3,72E-01	-7,67E-04	3,16E-04	5,45E-12	1,27E-03	4,74E-07	1,78E-04	1,74E-03	6,63E-04	3,30E-05	6,51E+00	3,37E-02
	Distribution	4,48E-03	4,53E-03	-1,00E-04	4,67E-05	7,52E-16	7,02E-06	1,22E-08	2,86E-06	3,03E-05	6,25E-06	3,02E-10	5,81E-02	2,07E-05
	Installation	2,04E-04	1,46E-05	1,89E-04	7,83E-08	2,58E-17	6,55E-08	6,44E-10	3,09E-08	2,71E-07	9,52E-08	8,34E-13	1,96E-04	1,25E-05
	Use	4,15E+00	4,09E+00	4,21E-02	1,35E-02	9,33E-11	8,97E-03	8,76E-06	2,15E-03	2,41E-02	5,34E-03	8,51E-07	8,36E+01	1,03E+00
	End of Life	1,58E-03	1,33E-03	2,35E-04	1,27E-05	2,47E-16	2,02E-06	9,48E-09	8,63E-07	8,69E-06	1,91E-06	8,26E-11	1,60E-02	1,55E-05
2674870000	Total*	4,53E+00	4,48E+00	4,17E-02	1,39E-02	9,88E-11	1,03E-02	9,26E-06	2,34E-03	2,59E-02	6,02E-03	3,39E-05	9,03E+01	1,06E+00
	Manufacturing	3,78E-01	3,78E-01	-7,51E-04	3,20E-04	5,47E-12	1,28E-03	4,83E-07	1,81E-04	1,77E-03	6,72E-04	3,30E-05	6,63E+00	3,38E-02
	Distribution	4,48E-03	4,53E-03	-1,00E-04	4,67E-05	7,52E-16	7,02E-06	1,22E-08	2,86E-06	3,03E-05	6,25E-06	3,02E-10	5,81E-02	2,07E-05
	Installation	2,04E-04	1,46E-05	1,89E-04	7,83E-08	2,58E-17	6,55E-08	6,44E-10	3,09E-08	2,71E-07	9,52E-08	8,34E-13	1,96E-04	1,25E-05

	Use	4,15E+00	4,09E+00	4,21E-02	1,35E-02	9,33E-11	8,97E-03	8,76E-06	2,15E-03	2,41E-02	5,34E-03	8,51E-07	8,36E+01	1,03E+00
	End of Life	1,58E-03	1,33E-03	2,35E-04	1,27E-05	2,47E-16	2,02E-06	9,48E-09	8,63E-07	8,69E-06	1,91E-06	8,26E-11	1,60E-02	1,55E-05
	Module D	-1,67E-01	-1,69E-01	2,15E-03	-7,88E-04	-4,60E-13	-8,21E-04	-4,56E-07	-1,66E-04	-1,75E-03	-5,29E-04	-2,38E-05	2,79E+00	-4,81E-02
2674880000 2799190000	Total*	4,53E+00	4,48E+00	4,17E-02	1,39E-02	9,88E-11	1,03E-02	9,26E-06	2,34E-03	2,59E-02	6,02E-03	3,39E-05	9,03E+01	1,06E+00
	Manufacturing	3,78E-01	3,78E-01	-7,47E-04	3,18E-04	5,47E-12	1,28E-03	4,82E-07	1,81E-04	1,76E-03	6,72E-04	3,30E-05	6,63E+00	3,38E-02
	Distribution	4,48E-03	4,53E-03	-1,00E-04	4,67E-05	7,52E-16	7,02E-06	1,22E-08	2,86E-06	3,03E-05	6,25E-06	3,02E-10	5,81E-02	2,07E-05
	Installation	2,04E-04	1,46E-05	1,89E-04	7,83E-08	2,58E-17	6,55E-08	6,44E-10	3,09E-08	2,71E-07	9,52E-08	8,34E-13	1,96E-04	1,25E-05
	Use	4,15E+00	4,09E+00	4,21E-02	1,35E-02	9,33E-11	8,97E-03	8,76E-06	2,15E-03	2,41E-02	5,34E-03	8,51E-07	8,36E+01	1,03E+00
	End of Life	1,58E-03	1,33E-03	2,35E-04	1,27E-05	2,47E-16	2,02E-06	9,48E-09	8,63E-07	8,69E-06	1,91E-06	8,26E-11	1,60E-02	1,55E-05
	Module D	-1,67E-01	-1,69E-01	2,15E-03	-7,88E-04	-4,60E-13	-8,21E-04	-4,56E-07	-1,66E-04	-1,75E-03	-5,29E-04	-2,38E-05	2,79E+00	-4,81E-02
2469370000	Total*	1,58E+00	1,57E+00	1,28E-02	4,70E-03	3,38E-11	3,65E-03	3,20E-06	8,14E-04	8,98E-03	2,14E-03	1,73E-05	3,14E+01	3,59E-01
	Manufacturing	2,04E-01	2,05E-01	-1,46E-03	1,77E-04	2,85E-12	6,69E-04	2,77E-07	9,85E-05	9,62E-04	3,63E-04	1,70E-05	3,60E+00	1,82E-02
	Distribution	2,67E-03	2,70E-03	-5,98E-05	2,78E-05	4,48E-16	4,18E-06	7,28E-09	1,70E-06	1,81E-05	3,73E-06	1,80E-10	3,46E-02	1,24E-05
	Installation	2,73E-04	1,96E-05	2,54E-04	1,05E-07	3,46E-17	8,79E-08	8,63E-10	4,14E-08	3,63E-07	1,28E-07	1,12E-12	2,63E-04	1,68E-05
	Use	1,38E+00	1,36E+00	1,40E-02	4,48E-03	3,09E-11	2,98E-03	2,90E-06	7,14E-04	8,00E-03	1,77E-03	2,82E-07	2,77E+01	3,41E-01
	End of Life	8,77E-04	7,40E-04	1,30E-04	7,05E-06	1,37E-16	1,12E-06	5,27E-09	4,80E-07	4,83E-06	1,06E-06	4,59E-11	8,89E-03	8,60E-06
	Module D	-8,36E-02	-8,54E-02	2,15E-03	-4,10E-04	-2,38E-13	-4,16E-04	-2,44E-07	-8,45E-05	-8,92E-04	-2,69E-04	-1,24E-05	1,42E+00	-2,39E-02
2471430000	Total*	1,59E+00	1,57E+00	1,28E-02	4,70E-03	3,38E-11	3,65E-03	3,20E-06	8,15E-04	8,99E-03	2,14E-03	1,73E-05	3,14E+01	3,59E-01
	Manufacturing	2,05E-01	2,06E-01	-1,45E-03	1,78E-04	2,85E-12	6,70E-04	2,78E-07	9,89E-05	9,66E-04	3,64E-04	1,70E-05	3,62E+00	1,82E-02
	Distribution	2,68E-03	2,71E-03	-6,01E-05	2,79E-05	4,50E-16	4,20E-06	7,31E-09	1,71E-06	1,82E-05	3,74E-06	1,80E-10	3,48E-02	1,24E-05
	Installation	2,73E-04	1,96E-05	2,54E-04	1,05E-07	3,46E-17	8,79E-08	8,63E-10	4,14E-08	3,63E-07	1,28E-07	1,12E-12	2,63E-04	1,68E-05
	Use	1,38E+00	1,36E+00	1,40E-02	4,48E-03	3,09E-11	2,98E-03	2,90E-06	7,14E-04	8,00E-03	1,77E-03	2,82E-07	2,77E+01	3,41E-01
	End of Life	8,81E-04	7,43E-04	1,31E-04	7,08E-06	1,38E-16	1,13E-06	5,29E-09	4,82E-07	4,85E-06	1,07E-06	4,61E-11	8,93E-03	8,64E-06
	Module D	-8,41E-02	-8,59E-02	2,15E-03	-4,10E-04	-2,39E-13	-4,17E-04	-2,44E-07	-8,49E-05	-8,95E-04	-2,70E-04	-1,24E-05	1,42E+00	-2,40E-02
2675060000	Total*	1,59E+00	1,57E+00	1,28E-02	4,70E-03	3,38E-11	3,65E-03	3,20E-06	8,16E-04	9,00E-03	2,14E-03	1,73E-05	3,14E+01	3,59E-01
	Manufacturing	2,08E-01	2,09E-01	-1,44E-03	1,78E-04	2,86E-12	6,74E-04	2,82E-07	1,00E-04	9,78E-04	3,69E-04	1,70E-05	3,67E+00	1,83E-02
	Distribution	2,67E-03	2,70E-03	-5,98E-05	2,78E-05	4,48E-16	4,18E-06	7,28E-09	1,70E-06	1,81E-05	3,73E-06	1,80E-10	3,46E-02	1,24E-05
	Installation	2,73E-04	1,96E-05	2,54E-04	1,05E-07	3,46E-17	8,79E-08	8,63E-10	4,14E-08	3,63E-07	1,28E-07	1,12E-12	2,63E-04	1,68E-05
	Use	1,38E+00	1,36E+00	1,40E-02	4,48E-03	3,09E-11	2,98E-03	2,90E-06	7,14E-04	8,00E-03	1,77E-03	2,82E-07	2,77E+01	3,41E-01
	End of Life	8,77E-04	7,40E-04	1,30E-04	7,05E-06	1,37E-16	1,12E-06	5,27E-09	4,80E-07	4,83E-06	1,06E-06	4,59E-11	8,89E-03	8,60E-06
	Module D	-8,55E-02	-8,73E-02	2,15E-03	-4,07E-04	-2,42E-13	-4,18E-04	-2,45E-07	-8,56E-05	-9,03E-04	-2,72E-04	-1,22E-05	1,45E+00	-2,40E-02
2675070000	Total*	1,59E+00	1,57E+00	1,29E-02	4,70E-03	3,38E-11	3,66E-03	3,20E-06	8,16E-04	9,00E-03	2,15E-03	1,73E-05	3,15E+01	3,59E-01
	Manufacturing	2,09E-01	2,10E-01	-1,44E-03	1,79E-04	2,86E-12	6,76E-04	2,84E-07	1,01E-04	9,82E-04	3,70E-04	1,70E-05	3,69E+00	1,83E-02
	Distribution	2,68E-03	2,71E-03	-6,01E-05	2,79E-05	4,50E-16	4,20E-06	7,31E-09	1,71E-06	1,82E-05	3,74E-06	1,80E-10	3,48E-02	1,24E-05
	Installation	2,73E-04	1,96E-05	2,54E-04	1,05E-07	3,46E-17	8,79E-08	8,63E-10	4,14E-08	3,63E-07	1,28E-07	1,12E-12	2,63E-04	1,68E-05
	Use	1,38E+00	1,36E+00	1,40E-02	4,48E-03	3,09E-11	2,98E-03	2,90E-06	7,14E-04	8,00E-03	1,77E-03	2,82E-07	2,77E+01	3,41E-01
	End of Life	8,81E-04	7,43E-04	1,31E-04	7,08E-06	1,38E-16	1,13E-06	5,29E-09	4,82E-07	4,85E-06	1,07E-06	4,61E-11	8,93E-03	8,64E-06
	Module D	-8,60E-02	-8,78E-02	2,16E-03	-4,07E-04	-2,43E-13	-4,19E-04	-2,46E-07	-8,59E-05	-9,06E-04	-2,74E-04	-1,22E-05	1,46E+00	-2,41E-02

2471440000	Total*	1,58E+00	1,57E+00	1,28E-02	4,70E-03	3,38E-11	3,65E-03	3,19E-06	8,14E-04	8,98E-03	2,14E-03	1,73E-05	3,13E+01	3,59E-01
	Manufacturing	2,03E-01	2,04E-01	-1,46E-03	1,77E-04	2,85E-12	6,67E-04	2,75E-07	9,80E-05	9,57E-04	3,61E-04	1,70E-05	3,57E+00	1,82E-02
	Distribution	2,65E-03	2,69E-03	-5,95E-05	2,77E-05	4,46E-16	4,16E-06	7,25E-09	1,69E-06	1,80E-05	3,71E-06	1,79E-10	3,44E-02	1,23E-05
	Installation	2,73E-04	1,96E-05	2,54E-04	1,05E-07	3,46E-17	8,79E-08	8,63E-10	4,14E-08	3,63E-07	1,28E-07	1,12E-12	2,63E-04	1,68E-05
	Use	1,38E+00	1,36E+00	1,40E-02	4,48E-03	3,09E-11	2,98E-03	2,90E-06	7,14E-04	8,00E-03	1,77E-03	2,82E-07	2,77E+01	3,41E-01
	End of Life	8,72E-04	7,35E-04	1,30E-04	7,01E-06	1,36E-16	1,12E-06	5,24E-09	4,77E-07	4,80E-06	1,06E-06	4,56E-11	8,84E-03	8,55E-06
	Module D	-8,30E-02	-8,47E-02	2,15E-03	-4,10E-04	-2,37E-13	-4,15E-04	-2,43E-07	-8,41E-05	-8,88E-04	-2,67E-04	-1,24E-05	1,40E+00	-2,39E-02
2469400000 2471450000	Total*	1,72E+00	1,70E+00	1,41E-02	5,13E-03	3,72E-11	4,00E-03	3,47E-06	8,85E-04	9,78E-03	2,32E-03	2,06E-05	3,40E+01	3,93E-01
	Manufacturing	2,08E-01	2,10E-01	-1,47E-03	1,87E-04	3,33E-12	7,42E-04	2,84E-07	1,02E-04	1,01E-03	3,77E-04	2,03E-05	3,64E+00	2,07E-02
	Distribution	2,70E-03	2,74E-03	-6,06E-05	2,82E-05	4,55E-16	4,24E-06	7,38E-09	1,73E-06	1,83E-05	3,78E-06	1,82E-10	3,51E-02	1,25E-05
	Installation	2,73E-04	1,96E-05	2,54E-04	1,05E-07	3,46E-17	8,79E-08	8,63E-10	4,14E-08	3,63E-07	1,28E-07	1,12E-12	2,63E-04	1,68E-05
	Use	1,51E+00	1,49E+00	1,53E-02	4,90E-03	3,38E-11	3,25E-03	3,18E-06	7,80E-04	8,75E-03	1,94E-03	3,09E-07	3,03E+01	3,72E-01
	End of Life	8,91E-04	7,51E-04	1,32E-04	7,16E-06	1,39E-16	1,14E-06	5,35E-09	4,87E-07	4,91E-06	1,08E-06	4,66E-11	9,03E-03	8,73E-06
	Module D	-8,64E-02	-8,82E-02	2,20E-03	-4,87E-04	-2,58E-13	-4,73E-04	-2,73E-07	-9,16E-05	-9,68E-04	-2,89E-04	-1,48E-05	1,44E+00	-2,71E-02
2675090000	Total*	1,59E+00	1,58E+00	1,28E-02	4,71E-03	3,43E-11	3,73E-03	3,21E-06	8,20E-04	9,04E-03	2,16E-03	2,06E-05	3,15E+01	3,61E-01
	Manufacturing	2,13E-01	2,14E-01	-1,46E-03	1,89E-04	3,34E-12	7,49E-04	2,89E-07	1,04E-04	1,02E-03	3,84E-04	2,03E-05	3,72E+00	2,08E-02
	Distribution	2,70E-03	2,74E-03	-6,06E-05	2,82E-05	4,55E-16	4,24E-06	7,38E-09	1,73E-06	1,83E-05	3,78E-06	1,82E-10	3,51E-02	1,25E-05
	Installation	2,73E-04	1,96E-05	2,54E-04	1,05E-07	3,46E-17	8,79E-08	8,63E-10	4,14E-08	3,63E-07	1,28E-07	1,12E-12	2,63E-04	1,68E-05
	Use	1,38E+00	1,36E+00	1,40E-02	4,48E-03	3,09E-11	2,98E-03	2,90E-06	7,14E-04	8,00E-03	1,77E-03	2,82E-07	2,77E+01	3,41E-01
	End of Life	8,91E-04	7,51E-04	1,32E-04	7,16E-06	1,39E-16	1,14E-06	5,35E-09	4,87E-07	4,91E-06	1,08E-06	4,66E-11	9,03E-03	8,73E-06
	Module D	-8,84E-02	-9,01E-02	2,21E-03	-4,84E-04	-2,61E-13	-4,74E-04	-2,74E-07	-9,26E-05	-9,79E-04	-2,93E-04	-1,47E-05	1,48E+00	-2,72E-02
2471460000	Total*	1,72E+00	1,70E+00	1,41E-02	5,13E-03	3,72E-11	4,00E-03	3,48E-06	8,86E-04	9,78E-03	2,32E-03	2,06E-05	3,40E+01	3,93E-01
	Manufacturing	2,09E-01	2,10E-01	-1,49E-03	1,93E-04	3,33E-12	7,43E-04	2,85E-07	1,03E-04	1,01E-03	3,78E-04	2,03E-05	3,65E+00	2,07E-02
	Distribution	2,70E-03	2,74E-03	-6,06E-05	2,82E-05	4,55E-16	4,24E-06	7,38E-09	1,73E-06	1,83E-05	3,78E-06	1,82E-10	3,51E-02	1,25E-05
	Installation	2,73E-04	1,96E-05	2,54E-04	1,05E-07	3,46E-17	8,79E-08	8,63E-10	4,14E-08	3,63E-07	1,28E-07	1,12E-12	2,63E-04	1,68E-05
	Use	1,51E+00	1,49E+00	1,53E-02	4,90E-03	3,38E-11	3,25E-03	3,18E-06	7,80E-04	8,75E-03	1,94E-03	3,09E-07	3,03E+01	3,72E-01
	End of Life	8,91E-04	7,51E-04	1,32E-04	7,16E-06	1,39E-16	1,14E-06	5,35E-09	4,87E-07	4,91E-06	1,08E-06	4,66E-11	9,03E-03	8,73E-06
	Module D	-8,64E-02	-8,82E-02	2,20E-03	-4,87E-04	-2,58E-13	-4,73E-04	-2,73E-07	-9,16E-05	-9,68E-04	-2,89E-04	-1,48E-05	1,44E+00	-2,71E-02
1547610000 2744270000 1547620000 2744230000 2723370000 1547630000 2744240000 3025940000 2744260000	Total*	2,84E+00	2,81E+00	2,05E-02	8,36E-03	6,26E-11	6,92E-03	5,82E-06	1,47E-03	1,62E-02	3,91E-03	4,89E-05	5,72E+01	6,44E-01
	Manufacturing	4,07E-01	4,11E-01	-4,90E-03	3,94E-04	8,02E-12	1,66E-03	6,70E-07	2,05E-04	2,06E-03	7,78E-04	4,84E-05	8,24E+00	4,33E-02
	Distribution	4,54E-03	4,59E-03	-1,02E-04	4,73E-05	7,62E-16	7,11E-06	1,24E-08	2,90E-06	3,07E-05	6,34E-06	3,06E-10	5,89E-02	2,10E-05
	Installation	7,27E-04	5,20E-05	6,74E-04	2,79E-07	9,20E-17	2,34E-07	2,30E-09	1,10E-07	9,65E-07	3,40E-07	2,97E-12	6,99E-04	4,48E-05
	Use	2,43E+00	2,40E+00	2,46E-02	7,91E-03	5,46E-11	5,25E-03	5,13E-06	1,26E-03	1,41E-02	3,12E-03	4,98E-07	4,89E+01	6,01E-01
	End of Life	1,38E-03	1,17E-03	2,06E-04	1,11E-05	2,16E-16	1,77E-06	8,31E-09	7,56E-07	7,61E-06	1,67E-06	7,23E-11	1,40E-02	1,36E-05
	Module D	-1,55E-01	-1,59E-01	5,78E-03	-1,15E-03	-5,17E-13	-1,04E-03	-5,97E-07	-1,85E-04	-1,96E-03	-5,74E-04	-3,53E-05	2,52E+00	-5,97E-02
2531290000 2736830000	Total*	2,76E+00	2,73E+00	2,29E-02	7,78E-03	5,63E-11	6,45E-03	5,50E-06	1,40E-03	1,54E-02	3,81E-03	3,64E-05	5,61E+01	5,88E-01
	Manufacturing	5,23E-01	5,22E-01	-9,84E-05	4,55E-04	6,20E-12	1,63E-03	7,77E-07	2,38E-04	2,38E-03	9,31E-04	3,59E-05	1,11E+01	3,71E-02
	Distribution	5,23E-03	5,29E-03	-1,17E-04	5,45E-05	8,79E-16	8,20E-06	1,43E-08	3,34E-06	3,55E-05	7,31E-06	3,52E-10	6,79E-02	2,42E-05

	Installation	2,17E-04	1,56E-05	2,02E-04	8,35E-08	2,75E-17	6,99E-08	6,87E-10	3,30E-08	2,89E-07	1,02E-07	8,90E-13	2,09E-04	1,34E-05
	Use	2,23E+00	2,20E+00	2,26E-02	7,25E-03	5,01E-11	4,81E-03	4,70E-06	1,15E-03	1,29E-02	2,86E-03	4,57E-07	4,48E+01	5,51E-01
	End of Life	1,85E-03	1,56E-03	2,75E-04	1,49E-05	2,90E-16	2,37E-06	1,11E-08	1,01E-06	1,02E-05	2,24E-06	9,69E-11	1,88E-02	1,82E-05
	Module D	-1,76E-01	-1,78E-01	2,35E-03	-8,61E-04	-4,91E-13	-8,86E-04	-4,92E-07	-1,77E-04	-1,87E-03	-5,64E-04	-2,61E-05	-	-5,19E-02
2531510000	Total*	2,76E+00	2,73E+00	2,29E-02	7,78E-03	5,63E-11	6,46E-03	5,51E-06	1,40E-03	1,54E-02	3,82E-03	3,64E-05	5,62E+01	5,88E-01
	Manufacturing	5,30E-01	5,29E-01	-6,51E-05	4,55E-04	6,22E-12	1,64E-03	7,84E-07	2,41E-04	2,40E-03	9,42E-04	3,59E-05	1,12E+01	3,72E-02
	Distribution	5,32E-03	5,39E-03	-1,19E-04	5,55E-05	8,95E-16	8,34E-06	1,45E-08	3,40E-06	3,61E-05	7,44E-06	3,59E-10	6,91E-02	2,47E-05
	Installation	2,17E-04	1,56E-05	2,02E-04	8,35E-08	2,75E-17	6,99E-08	6,87E-10	3,30E-08	2,89E-07	1,02E-07	8,90E-13	2,09E-04	1,34E-05
	Use	2,23E+00	2,20E+00	2,26E-02	7,25E-03	5,01E-11	4,81E-03	4,70E-06	1,15E-03	1,29E-02	2,86E-03	4,57E-07	4,48E+01	5,51E-01
	End of Life	1,89E-03	1,59E-03	2,81E-04	1,52E-05	2,95E-16	2,41E-06	1,13E-08	1,03E-06	1,04E-05	2,28E-06	9,87E-11	1,91E-02	1,85E-05
	Module D	-1,81E-01	-1,82E-01	2,36E-03	-8,62E-04	-4,99E-13	-8,93E-04	-4,97E-07	-1,80E-04	-1,90E-03	-5,74E-04	-2,61E-05	-	-5,23E-02
2936700000	Total*	2,76E+00	2,73E+00	2,29E-02	7,78E-03	5,63E-11	6,46E-03	5,51E-06	1,40E-03	1,54E-02	3,82E-03	3,64E-05	5,62E+01	5,88E-01
	Manufacturing	5,30E-01	5,29E-01	-7,57E-05	4,57E-04	6,22E-12	1,64E-03	7,87E-07	2,41E-04	2,40E-03	9,42E-04	3,59E-05	1,13E+01	3,72E-02
	Distribution	5,23E-03	5,29E-03	-1,17E-04	5,45E-05	8,79E-16	8,20E-06	1,43E-08	3,34E-06	3,55E-05	7,31E-06	3,52E-10	6,79E-02	2,42E-05
	Installation	2,17E-04	1,56E-05	2,02E-04	8,35E-08	2,75E-17	6,99E-08	6,87E-10	3,30E-08	2,89E-07	1,02E-07	8,90E-13	2,09E-04	1,34E-05
	Use	2,23E+00	2,20E+00	2,26E-02	7,25E-03	5,01E-11	4,81E-03	4,70E-06	1,15E-03	1,29E-02	2,86E-03	4,57E-07	4,48E+01	5,51E-01
	End of Life	1,85E-03	1,56E-03	2,75E-04	1,49E-05	2,90E-16	2,37E-06	1,11E-08	1,01E-06	1,02E-05	2,24E-06	9,69E-11	1,88E-02	1,82E-05
	Module D	-1,80E-01	-1,81E-01	2,36E-03	-8,56E-04	-4,97E-13	-8,88E-04	-4,94E-07	-1,79E-04	-1,89E-03	-5,70E-04	-2,59E-05	-	-5,20E-02
2766890000	Total*	2,71E+00	2,68E+00	2,26E-02	7,73E-03	5,62E-11	6,34E-03	5,39E-06	1,38E-03	1,52E-02	3,72E-03	3,64E-05	5,42E+01	5,88E-01
	Manufacturing	4,74E-01	4,74E-01	-2,99E-04	4,07E-04	6,11E-12	1,52E-03	6,64E-07	2,21E-04	2,18E-03	8,42E-04	3,59E-05	9,29E+00	3,68E-02
	Distribution	5,23E-03	5,29E-03	-1,17E-04	5,45E-05	8,79E-16	8,20E-06	1,43E-08	3,34E-06	3,55E-05	7,31E-06	3,52E-10	6,79E-02	2,42E-05
	Installation	2,17E-04	1,56E-05	2,02E-04	8,35E-08	2,75E-17	6,99E-08	6,87E-10	3,30E-08	2,89E-07	1,02E-07	8,90E-13	2,09E-04	1,34E-05
	Use	2,23E+00	2,20E+00	2,26E-02	7,25E-03	5,01E-11	4,81E-03	4,70E-06	1,15E-03	1,29E-02	2,86E-03	4,57E-07	4,48E+01	5,51E-01
	End of Life	1,85E-03	1,56E-03	2,75E-04	1,49E-05	2,90E-16	2,37E-06	1,11E-08	1,01E-06	1,02E-05	2,24E-06	9,69E-11	1,88E-02	1,82E-05
	Module D	-1,76E-01	-1,78E-01	2,35E-03	-8,61E-04	-4,91E-13	-8,86E-04	-4,92E-07	-1,77E-04	-1,87E-03	-5,64E-04	-2,61E-05	-	-5,19E-02
2531300000	Total*	2,95E+00	2,91E+00	2,99E-02	7,94E-03	5,91E-11	6,85E-03	5,98E-06	1,49E-03	1,64E-02	4,08E-03	4,43E-05	5,91E+01	5,93E-01
	Manufacturing	7,12E-01	7,04E-01	6,96E-03	6,01E-04	9,05E-12	2,02E-03	1,25E-06	3,33E-04	3,38E-03	1,21E-03	4,38E-05	1,42E+01	4,22E-02
	Distribution	6,43E-03	6,50E-03	-1,44E-04	6,70E-05	1,08E-15	1,01E-05	1,75E-08	4,10E-06	4,36E-05	8,98E-06	4,33E-10	8,34E-02	2,98E-05
	Installation	2,17E-04	1,56E-05	2,02E-04	8,35E-08	2,75E-17	6,99E-08	6,87E-10	3,30E-08	2,89E-07	1,02E-07	8,90E-13	2,09E-04	1,34E-05
	Use	2,23E+00	2,20E+00	2,26E-02	7,25E-03	5,01E-11	4,81E-03	4,70E-06	1,15E-03	1,29E-02	2,86E-03	4,57E-07	4,48E+01	5,51E-01
	End of Life	2,30E-03	1,94E-03	3,42E-04	1,85E-05	3,59E-16	2,94E-06	1,38E-08	1,26E-06	1,27E-05	2,78E-06	1,20E-10	2,33E-02	2,25E-05
	Module D	-1,99E-01	-2,01E-01	2,51E-03	-1,13E-03	-5,98E-13	-1,11E-03	-6,09E-07	-2,10E-04	-2,23E-03	-6,65E-04	-3,48E-05	-	-6,43E-02
2623550000	Total*	2,95E+00	2,91E+00	3,00E-02	7,94E-03	5,91E-11	6,85E-03	5,98E-06	1,49E-03	1,64E-02	4,08E-03	4,43E-05	5,91E+01	5,93E-01
	Manufacturing	7,12E-01	7,04E-01	6,96E-03	6,03E-04	9,05E-12	2,02E-03	1,25E-06	3,33E-04	3,39E-03	1,21E-03	4,38E-05	1,42E+01	4,23E-02
	Distribution	6,43E-03	6,50E-03	-1,44E-04	6,70E-05	1,08E-15	1,01E-05	1,75E-08	4,10E-06	4,36E-05	8,98E-06	4,33E-10	8,34E-02	2,98E-05
	Installation	2,17E-04	1,56E-05	2,02E-04	8,35E-08	2,75E-17	6,99E-08	6,87E-10	3,30E-08	2,89E-07	1,02E-07	8,90E-13	2,09E-04	1,34E-05
	Use	2,23E+00	2,20E+00	2,26E-02	7,25E-03	5,01E-11	4,81E-03	4,70E-06	1,15E-03	1,29E-02	2,86E-03	4,57E-07	4,48E+01	5,51E-01
	End of Life	2,30E-03	1,94E-03	3,42E-04	1,85E-05	3,59E-16	2,94E-06	1,38E-08	1,26E-06	1,27E-05	2,78E-06	1,20E-10	2,33E-02	2,25E-05

	Module D	-1,99E-01	-2,01E-01	2,51E-03	-1,13E-03	-5,98E-13	-1,11E-03	-6,09E-07	-2,10E-04	-2,23E-03	-6,65E-04	-3,48E-05	-	-6,43E-02
2531310000 2531530000	Total*	2,78E+00	2,75E+00	2,29E-02	7,82E-03	5,70E-11	6,59E-03	5,53E-06	1,41E-03	1,55E-02	3,85E-03	4,13E-05	5,65E+01	5,92E-01
	Manufacturing	5,44E-01	5,44E-01	-8,79E-05	4,91E-04	6,94E-12	1,76E-03	8,08E-07	2,50E-04	2,50E-03	9,76E-04	4,08E-05	1,15E+01	4,13E-02
	Distribution	5,43E-03	5,49E-03	-1,22E-04	5,66E-05	9,13E-16	8,51E-06	1,48E-08	3,47E-06	3,68E-05	7,58E-06	3,66E-10	7,05E-02	2,51E-05
	Installation	2,17E-04	1,56E-05	2,02E-04	8,35E-08	2,75E-17	6,99E-08	6,87E-10	3,30E-08	2,89E-07	1,02E-07	8,90E-13	2,09E-04	1,34E-05
	Use	2,23E+00	2,20E+00	2,26E-02	7,25E-03	5,01E-11	4,81E-03	4,70E-06	1,15E-03	1,29E-02	2,86E-03	4,57E-07	4,48E+01	5,51E-01
	End of Life	1,93E-03	1,62E-03	2,86E-04	1,55E-05	3,01E-16	2,46E-06	1,16E-08	1,05E-06	1,06E-05	2,33E-06	1,01E-10	1,95E-02	1,89E-05
	Module D	-1,84E-01	-1,85E-01	2,44E-03	-9,73E-04	-5,25E-13	-9,74E-04	-5,37E-07	-1,89E-04	-2,00E-03	-6,01E-04	-2,97E-05	-	-5,68E-02
2936690000	Total*	2,79E+00	2,76E+00	2,29E-02	7,82E-03	5,70E-11	6,60E-03	5,54E-06	1,41E-03	1,55E-02	3,86E-03	4,13E-05	5,66E+01	5,92E-01
	Manufacturing	5,51E-01	5,51E-01	-6,51E-05	4,93E-04	6,96E-12	1,77E-03	8,17E-07	2,53E-04	2,53E-03	9,87E-04	4,08E-05	1,17E+01	4,14E-02
	Distribution	5,43E-03	5,49E-03	-1,22E-04	5,66E-05	9,13E-16	8,51E-06	1,48E-08	3,47E-06	3,68E-05	7,58E-06	3,66E-10	7,05E-02	2,51E-05
	Installation	2,17E-04	1,56E-05	2,02E-04	8,35E-08	2,75E-17	6,99E-08	6,87E-10	3,30E-08	2,89E-07	1,02E-07	8,90E-13	2,09E-04	1,34E-05
	Use	2,23E+00	2,20E+00	2,26E-02	7,25E-03	5,01E-11	4,81E-03	4,70E-06	1,15E-03	1,29E-02	2,86E-03	4,57E-07	4,48E+01	5,51E-01
	End of Life	1,93E-03	1,62E-03	2,86E-04	1,55E-05	3,01E-16	2,46E-06	1,16E-08	1,05E-06	1,06E-05	2,33E-06	1,01E-10	1,95E-02	1,89E-05
	Module D	-1,87E-01	-1,89E-01	2,45E-03	-9,68E-04	-5,31E-13	-9,76E-04	-5,39E-07	-1,91E-04	-2,02E-03	-6,08E-04	-2,95E-05	-	-5,69E-02
2675110000 2675120000	Total*	2,86E+00	2,83E+00	2,10E-02	8,37E-03	6,27E-11	6,93E-03	5,85E-06	1,47E-03	1,63E-02	3,93E-03	4,87E-05	5,74E+01	6,44E-01
	Manufacturing	4,20E-01	4,24E-01	-4,39E-03	3,97E-04	8,11E-12	1,67E-03	7,02E-07	2,11E-04	2,13E-03	7,95E-04	4,82E-05	8,44E+00	4,29E-02
	Distribution	4,54E-03	4,59E-03	-1,02E-04	4,73E-05	7,62E-16	7,11E-06	1,24E-08	2,90E-06	3,07E-05	6,34E-06	3,06E-10	5,89E-02	2,10E-05
	Installation	7,27E-04	5,20E-05	6,74E-04	2,79E-07	9,20E-17	2,34E-07	2,30E-09	1,10E-07	9,65E-07	3,40E-07	2,97E-12	6,99E-04	4,48E-05
	Use	2,43E+00	2,40E+00	2,46E-02	7,91E-03	5,46E-11	5,25E-03	5,13E-06	1,26E-03	1,41E-02	3,12E-03	4,98E-07	4,89E+01	6,01E-01
	End of Life	1,38E-03	1,17E-03	2,06E-04	1,11E-05	2,16E-16	1,77E-06	8,31E-09	7,56E-07	7,61E-06	1,67E-06	7,23E-11	1,40E-02	1,36E-05
	Module D	-1,58E-01	-1,63E-01	5,78E-03	-1,14E-03	-5,24E-13	-1,04E-03	-6,00E-07	-1,87E-04	-1,98E-03	-5,80E-04	-3,51E-05	-	-5,98E-02
2581250000	Total*	2,86E+00	2,83E+00	1,91E-02	8,37E-03	6,27E-11	6,94E-03	5,88E-06	1,48E-03	1,63E-02	3,94E-03	4,87E-05	5,75E+01	6,44E-01
	Manufacturing	4,23E-01	4,29E-01	-6,57E-03	4,00E-04	8,12E-12	1,68E-03	7,29E-07	2,14E-04	2,16E-03	8,04E-04	4,82E-05	8,52E+00	4,31E-02
	Distribution	4,87E-03	4,93E-03	-1,09E-04	5,07E-05	8,18E-16	7,63E-06	1,33E-08	3,11E-06	3,30E-05	6,80E-06	3,28E-10	6,32E-02	2,25E-05
	Installation	1,02E-03	7,31E-05	9,49E-04	3,93E-07	1,29E-16	3,29E-07	3,23E-09	1,55E-07	1,36E-06	4,78E-07	4,18E-12	9,83E-04	6,30E-05
	Use	2,43E+00	2,40E+00	2,46E-02	7,91E-03	5,46E-11	5,25E-03	5,13E-06	1,26E-03	1,41E-02	3,12E-03	4,98E-07	4,89E+01	6,01E-01
	End of Life	1,38E-03	1,17E-03	2,06E-04	1,11E-05	2,16E-16	1,77E-06	8,31E-09	7,56E-07	7,61E-06	1,67E-06	7,23E-11	1,40E-02	1,36E-05
	Module D	-1,59E-01	-1,66E-01	7,62E-03	-1,15E-03	-5,32E-13	-1,05E-03	-6,19E-07	-1,89E-04	-2,00E-03	-5,87E-04	-3,50E-05	-	-6,00E-02
2581280000	Total*	2,86E+00	2,83E+00	1,79E-02	8,38E-03	6,27E-11	6,94E-03	5,90E-06	1,48E-03	1,63E-02	3,94E-03	4,87E-05	5,75E+01	6,44E-01
	Manufacturing	4,22E-01	4,30E-01	-7,98E-03	4,05E-04	8,12E-12	1,68E-03	7,44E-07	2,15E-04	2,17E-03	8,06E-04	4,82E-05	8,53E+00	4,32E-02
	Distribution	5,08E-03	5,14E-03	-1,14E-04	5,30E-05	8,54E-16	7,96E-06	1,39E-08	3,24E-06	3,44E-05	7,10E-06	3,42E-10	6,59E-02	2,35E-05
	Installation	1,21E-03	8,67E-05	1,12E-03	4,65E-07	1,53E-16	3,90E-07	3,83E-09	1,84E-07	1,61E-06	5,66E-07	4,96E-12	1,16E-03	7,46E-05
	Use	2,43E+00	2,40E+00	2,46E-02	7,91E-03	5,46E-11	5,25E-03	5,13E-06	1,26E-03	1,41E-02	3,12E-03	4,98E-07	4,89E+01	6,01E-01
	End of Life	1,38E-03	1,17E-03	2,06E-04	1,11E-05	2,16E-16	1,77E-06	8,31E-09	7,56E-07	7,61E-06	1,67E-06	7,23E-11	1,40E-02	1,36E-05
	Module D	-1,59E-01	-1,66E-01	8,80E-03	-1,15E-03	-5,35E-13	-1,05E-03	-6,31E-07	-1,90E-04	-2,01E-03	-5,89E-04	-3,50E-05	-	-6,01E-02
1547650000 1547660000 1547670000	Total*	2,86E+00	2,83E+00	2,05E-02	8,40E-03	6,34E-11	7,05E-03	5,85E-06	1,48E-03	1,63E-02	3,95E-03	5,41E-05	5,75E+01	6,48E-01
	Manufacturing	4,24E-01	4,29E-01	-4,93E-03	4,25E-04	8,78E-12	1,79E-03	6,97E-07	2,15E-04	2,17E-03	8,17E-04	5,36E-05	8,56E+00	4,73E-02

	Distribution	4,69E-03	4,75E-03	-1,05E-04	4,89E-05	7,89E-16	7,36E-06	1,28E-08	3,00E-06	3,18E-05	6,56E-06	3,16E-10	6,09E-02	2,17E-05
	Installation	7,27E-04	5,20E-05	6,74E-04	2,79E-07	9,20E-17	2,34E-07	2,30E-09	1,10E-07	9,65E-07	3,40E-07	2,97E-12	6,99E-04	4,48E-05
	Use	2,43E+00	2,40E+00	2,46E-02	7,91E-03	5,46E-11	5,25E-03	5,13E-06	1,26E-03	1,41E-02	3,12E-03	4,98E-07	4,89E+01	6,01E-01
	End of Life	1,44E-03	1,22E-03	2,14E-04	1,16E-05	2,25E-16	1,84E-06	8,66E-09	7,88E-07	7,94E-06	1,74E-06	7,54E-11	1,46E-02	1,41E-05
	Module D	-1,61E-01	-1,65E-01	5,87E-03	-1,27E-03	-5,50E-13	-1,13E-03	-6,44E-07	-1,97E-04	-2,09E-03	-6,09E-04	-3,90E-05	2,60E+00	-6,47E-02
2675140000	Total*	2,87E+00	2,84E+00	2,10E-02	8,40E-03	6,35E-11	7,06E-03	5,88E-06	1,48E-03	1,64E-02	3,97E-03	5,38E-05	5,77E+01	6,48E-01
	Manufacturing	4,38E-01	4,42E-01	-4,41E-03	4,28E-04	8,87E-12	1,80E-03	7,30E-07	2,21E-04	2,24E-03	8,34E-04	5,33E-05	8,75E+00	4,69E-02
	Distribution	4,69E-03	4,75E-03	-1,05E-04	4,89E-05	7,89E-16	7,36E-06	1,28E-08	3,00E-06	3,18E-05	6,56E-06	3,16E-10	6,09E-02	2,17E-05
	Installation	7,27E-04	5,20E-05	6,74E-04	2,79E-07	9,20E-17	2,34E-07	2,30E-09	1,10E-07	9,65E-07	3,40E-07	2,97E-12	6,99E-04	4,48E-05
	Use	2,43E+00	2,40E+00	2,46E-02	7,91E-03	5,46E-11	5,25E-03	5,13E-06	1,26E-03	1,41E-02	3,12E-03	4,98E-07	4,89E+01	6,01E-01
	End of Life	1,44E-03	1,22E-03	2,14E-04	1,16E-05	2,25E-16	1,84E-06	8,66E-09	7,88E-07	7,94E-06	1,74E-06	7,54E-11	1,46E-02	1,41E-05
	Module D	-1,64E-01	-1,69E-01	5,88E-03	-1,26E-03	-5,57E-13	-1,13E-03	-6,46E-07	-1,99E-04	-2,11E-03	-6,16E-04	-3,89E-05	2,66E+00	-6,48E-02
2815620000	Total*	2,87E+00	2,84E+00	2,10E-02	8,39E-03	6,35E-11	7,06E-03	5,88E-06	1,48E-03	1,64E-02	3,97E-03	5,38E-05	5,77E+01	6,48E-01
	Manufacturing	4,37E-01	4,41E-01	-4,40E-03	4,20E-04	8,87E-12	1,80E-03	7,30E-07	2,21E-04	2,23E-03	8,34E-04	5,33E-05	8,75E+00	4,69E-02
	Distribution	4,69E-03	4,75E-03	-1,05E-04	4,89E-05	7,89E-16	7,36E-06	1,28E-08	3,00E-06	3,18E-05	6,56E-06	3,16E-10	6,09E-02	2,17E-05
	Installation	7,27E-04	5,20E-05	6,74E-04	2,79E-07	9,20E-17	2,34E-07	2,30E-09	1,10E-07	9,65E-07	3,40E-07	2,97E-12	6,99E-04	4,48E-05
	Use	2,43E+00	2,40E+00	2,46E-02	7,91E-03	5,46E-11	5,25E-03	5,13E-06	1,26E-03	1,41E-02	3,12E-03	4,98E-07	4,89E+01	6,01E-01
	End of Life	1,44E-03	1,22E-03	2,14E-04	1,16E-05	2,25E-16	1,84E-06	8,66E-09	7,88E-07	7,94E-06	1,74E-06	7,54E-11	1,46E-02	1,41E-05
	Module D	-1,64E-01	-1,69E-01	5,88E-03	-1,26E-03	-5,57E-13	-1,13E-03	-6,46E-07	-1,99E-04	-2,11E-03	-6,16E-04	-3,89E-05	2,66E+00	-6,48E-02
2539970000	Total*	2,90E+00	2,86E+00	2,27E-02	8,40E-03	6,22E-11	6,95E-03	5,77E-06	1,49E-03	1,64E-02	3,97E-03	4,73E-05	5,70E+01	6,46E-01
	Manufacturing	4,58E-01	4,60E-01	-2,49E-03	4,14E-04	7,59E-12	1,69E-03	6,13E-07	2,26E-04	2,22E-03	8,34E-04	4,68E-05	7,97E+00	4,54E-02
	Distribution	5,84E-03	5,91E-03	-1,31E-04	6,09E-05	9,82E-16	9,16E-06	1,60E-08	3,73E-06	3,96E-05	8,16E-06	3,94E-10	7,58E-02	2,71E-05
	Installation	4,67E-04	3,34E-05	4,33E-04	1,79E-07	5,92E-17	1,50E-07	1,48E-09	7,08E-08	6,20E-07	2,18E-07	1,91E-12	4,49E-04	2,88E-05
	Use	2,43E+00	2,40E+00	2,46E-02	7,91E-03	5,46E-11	5,25E-03	5,13E-06	1,26E-03	1,41E-02	3,12E-03	4,98E-07	4,89E+01	6,01E-01
	End of Life	1,98E-03	1,67E-03	2,94E-04	1,59E-05	3,09E-16	2,53E-06	1,19E-08	1,08E-06	1,09E-05	2,39E-06	1,03E-10	2,00E-02	1,94E-05
	Module D	-1,94E-01	-1,97E-01	4,10E-03	-1,12E-03	-5,72E-13	-1,09E-03	-6,12E-07	-2,08E-04	-2,20E-03	-6,55E-04	-3,40E-05	3,20E+00	-6,38E-02
2540040000 2552480000	Total*	2,72E+00	2,69E+00	2,20E-02	8,31E-03	6,18E-11	6,68E-03	5,55E-06	1,42E-03	1,57E-02	3,69E-03	4,73E-05	5,37E+01	6,43E-01
	Manufacturing	2,83E-01	2,86E-01	-3,17E-03	3,44E-04	7,17E-12	1,42E-03	4,04E-07	1,54E-04	1,54E-03	5,60E-04	4,68E-05	4,74E+00	4,23E-02
	Distribution	4,03E-03	4,08E-03	-9,04E-05	4,20E-05	6,77E-16	6,32E-06	1,10E-08	2,57E-06	2,73E-05	5,63E-06	2,72E-10	5,23E-02	1,87E-05
	Installation	4,67E-04	3,34E-05	4,33E-04	1,79E-07	5,92E-17	1,50E-07	1,48E-09	7,08E-08	6,20E-07	2,18E-07	1,91E-12	4,49E-04	2,88E-05
	Use	2,43E+00	2,40E+00	2,46E-02	7,91E-03	5,46E-11	5,25E-03	5,13E-06	1,26E-03	1,41E-02	3,12E-03	4,98E-07	4,89E+01	6,01E-01
	End of Life	1,30E-03	1,10E-03	1,94E-04	1,05E-05	2,04E-16	1,67E-06	7,83E-09	7,13E-07	7,18E-06	1,58E-06	6,82E-11	1,32E-02	1,28E-05
	Module D	-1,11E-01	-1,14E-01	3,96E-03	-1,09E-03	-4,06E-13	-9,44E-04	-5,16E-07	-1,52E-04	-1,62E-03	-4,64E-04	-3,40E-05	1,70E+00	-5,50E-02
2675160000	Total*	2,90E+00	2,87E+00	2,28E-02	8,41E-03	6,22E-11	6,97E-03	5,78E-06	1,49E-03	1,64E-02	3,98E-03	4,73E-05	5,71E+01	6,46E-01
	Manufacturing	4,66E-01	4,68E-01	-2,47E-03	4,17E-04	7,62E-12	1,70E-03	6,24E-07	2,29E-04	2,25E-03	8,47E-04	4,68E-05	8,12E+00	4,54E-02
	Distribution	5,84E-03	5,91E-03	-1,31E-04	6,09E-05	9,82E-16	9,16E-06	1,60E-08	3,73E-06	3,96E-05	8,16E-06	3,94E-10	7,58E-02	2,71E-05
	Installation	4,67E-04	3,34E-05	4,33E-04	1,79E-07	5,92E-17	1,50E-07	1,48E-09	7,08E-08	6,20E-07	2,18E-07	1,91E-12	4,49E-04	2,88E-05
	Use	2,43E+00	2,40E+00	2,46E-02	7,91E-03	5,46E-11	5,25E-03	5,13E-06	1,26E-03	1,41E-02	3,12E-03	4,98E-07	4,89E+01	6,01E-01

	End of Life	1,98E-03	1,67E-03	2,94E-04	1,59E-05	3,09E-16	2,53E-06	1,19E-08	1,08E-06	1,09E-05	2,39E-06	1,03E-10	2,00E-02	1,94E-05
	Module D	-1,98E-01	-2,01E-01	4,11E-03	-1,11E-03	-5,79E-13	-1,10E-03	-6,14E-07	-2,10E-04	-2,22E-03	-6,63E-04	-3,38E-05	3,28E+00	-6,40E-02
2675170000	Total*	2,73E+00	2,70E+00	2,20E-02	8,31E-03	6,18E-11	6,69E-03	5,56E-06	1,42E-03	1,57E-02	3,71E-03	4,73E-05	5,39E+01	6,43E-01
	Manufacturing	2,91E-01	2,94E-01	-3,14E-03	3,46E-04	7,20E-12	1,43E-03	4,15E-07	1,58E-04	1,58E-03	5,73E-04	4,68E-05	4,89E+00	4,23E-02
	Distribution	4,03E-03	4,08E-03	-9,04E-05	4,20E-05	6,77E-16	6,32E-06	1,10E-08	2,57E-06	2,73E-05	5,63E-06	2,72E-10	5,23E-02	1,87E-05
	Installation	4,67E-04	3,34E-05	4,33E-04	1,79E-07	5,92E-17	1,50E-07	1,48E-09	7,08E-08	6,20E-07	2,18E-07	1,91E-12	4,49E-04	2,88E-05
	Use	2,43E+00	2,40E+00	2,46E-02	7,91E-03	5,46E-11	5,25E-03	5,13E-06	1,26E-03	1,41E-02	3,12E-03	4,98E-07	4,89E+01	6,01E-01
	End of Life	1,30E-03	1,10E-03	1,94E-04	1,05E-05	2,04E-16	1,67E-06	7,83E-09	7,13E-07	7,18E-06	1,58E-06	6,82E-11	1,32E-02	1,28E-05
	Module D	-1,15E-01	-1,18E-01	3,97E-03	-1,09E-03	-4,14E-13	-9,45E-04	-5,17E-07	-1,54E-04	-1,64E-03	-4,72E-04	-3,37E-05	1,79E+00	-5,50E-02
2724450000	Total*	2,90E+00	2,87E+00	2,27E-02	8,41E-03	6,22E-11	6,96E-03	5,77E-06	1,49E-03	1,64E-02	3,97E-03	4,73E-05	5,70E+01	6,47E-01
	Manufacturing	4,59E-01	4,61E-01	-2,49E-03	4,21E-04	7,61E-12	1,70E-03	6,14E-07	2,26E-04	2,22E-03	8,36E-04	4,68E-05	7,99E+00	4,56E-02
	Distribution	5,84E-03	5,91E-03	-1,31E-04	6,09E-05	9,82E-16	9,16E-06	1,60E-08	3,73E-06	3,96E-05	8,16E-06	3,94E-10	7,58E-02	2,71E-05
	Installation	4,67E-04	3,34E-05	4,33E-04	1,79E-07	5,92E-17	1,50E-07	1,48E-09	7,08E-08	6,20E-07	2,18E-07	1,91E-12	4,49E-04	2,88E-05
	Use	2,43E+00	2,40E+00	2,46E-02	7,91E-03	5,46E-11	5,25E-03	5,13E-06	1,26E-03	1,41E-02	3,12E-03	4,98E-07	4,89E+01	6,01E-01
	End of Life	1,98E-03	1,67E-03	2,94E-04	1,59E-05	3,09E-16	2,53E-06	1,19E-08	1,08E-06	1,09E-05	2,39E-06	1,03E-10	2,00E-02	1,94E-05
	Module D	-1,94E-01	-1,97E-01	4,10E-03	-1,12E-03	-5,72E-13	-1,09E-03	-6,12E-07	-2,08E-04	-2,20E-03	-6,55E-04	-3,40E-05	3,20E+00	-6,38E-02
2540020000	Total*	3,00E+00	2,97E+00	2,27E-02	8,57E-03	6,58E-11	7,61E-03	5,91E-06	1,55E-03	1,70E-02	4,19E-03	7,18E-05	5,86E+01	6,66E-01
	Manufacturing	5,59E-01	5,61E-01	-2,56E-03	5,66E-04	1,12E-11	2,35E-03	7,47E-07	2,84E-04	2,81E-03	1,05E-03	7,13E-05	9,57E+00	6,54E-02
	Distribution	7,28E-03	7,37E-03	-1,63E-04	7,59E-05	1,22E-15	1,14E-05	1,99E-08	4,65E-06	4,94E-05	1,02E-05	4,91E-10	9,46E-02	3,37E-05
	Installation	4,67E-04	3,34E-05	4,33E-04	1,79E-07	5,92E-17	1,50E-07	1,48E-09	7,08E-08	6,20E-07	2,18E-07	1,91E-12	4,49E-04	2,88E-05
	Use	2,43E+00	2,40E+00	2,46E-02	7,91E-03	5,46E-11	5,25E-03	5,13E-06	1,26E-03	1,41E-02	3,12E-03	4,98E-07	4,89E+01	6,01E-01
	End of Life	2,51E-03	2,12E-03	3,73E-04	2,02E-05	3,93E-16	3,21E-06	1,51E-08	1,37E-06	1,38E-05	3,04E-06	1,31E-10	2,55E-02	2,46E-05
	Module D	-2,23E-01	-2,26E-01	4,61E-03	-1,67E-03	-7,28E-13	-1,52E-03	-8,31E-07	-2,65E-04	-2,81E-03	-8,24E-04	-5,17E-05	3,57E+00	-8,75E-02
2540030000 2552590000	Total*	3,00E+00	2,96E+00	2,27E-02	8,57E-03	6,58E-11	7,61E-03	5,91E-06	1,55E-03	1,70E-02	4,18E-03	7,18E-05	5,86E+01	6,66E-01
	Manufacturing	5,56E-01	5,58E-01	-2,57E-03	5,65E-04	1,12E-11	2,34E-03	7,44E-07	2,83E-04	2,80E-03	1,04E-03	7,13E-05	9,52E+00	6,54E-02
	Distribution	7,25E-03	7,34E-03	-1,63E-04	7,56E-05	1,22E-15	1,14E-05	1,98E-08	4,63E-06	4,92E-05	1,01E-05	4,89E-10	9,42E-02	3,36E-05
	Installation	4,67E-04	3,34E-05	4,33E-04	1,79E-07	5,92E-17	1,50E-07	1,48E-09	7,08E-08	6,20E-07	2,18E-07	1,91E-12	4,49E-04	2,88E-05
	Use	2,43E+00	2,40E+00	2,46E-02	7,91E-03	5,46E-11	5,25E-03	5,13E-06	1,26E-03	1,41E-02	3,12E-03	4,98E-07	4,89E+01	6,01E-01
	End of Life	2,50E-03	2,11E-03	3,72E-04	2,01E-05	3,91E-16	3,20E-06	1,50E-08	1,37E-06	1,38E-05	3,03E-06	1,31E-10	2,53E-02	2,45E-05
	Module D	-2,22E-01	-2,25E-01	4,60E-03	-1,67E-03	-7,26E-13	-1,51E-03	-8,30E-07	-2,64E-04	-2,80E-03	-8,21E-04	-5,17E-05	3,54E+00	-8,73E-02
2675190000	Total*	3,01E+00	2,98E+00	2,28E-02	8,58E-03	6,59E-11	7,63E-03	5,92E-06	1,55E-03	1,70E-02	4,20E-03	7,18E-05	5,88E+01	6,67E-01
	Manufacturing	5,68E-01	5,70E-01	-2,53E-03	5,73E-04	1,13E-11	2,36E-03	7,59E-07	2,88E-04	2,85E-03	1,06E-03	7,13E-05	9,74E+00	6,57E-02
	Distribution	7,28E-03	7,37E-03	-1,63E-04	7,59E-05	1,22E-15	1,14E-05	1,99E-08	4,65E-06	4,94E-05	1,02E-05	4,91E-10	9,46E-02	3,37E-05
	Installation	4,67E-04	3,34E-05	4,33E-04	1,79E-07	5,92E-17	1,50E-07	1,48E-09	7,08E-08	6,20E-07	2,18E-07	1,91E-12	4,49E-04	2,88E-05
	Use	2,43E+00	2,40E+00	2,46E-02	7,91E-03	5,46E-11	5,25E-03	5,13E-06	1,26E-03	1,41E-02	3,12E-03	4,98E-07	4,89E+01	6,01E-01
	End of Life	2,51E-03	2,12E-03	3,73E-04	2,02E-05	3,93E-16	3,21E-06	1,51E-08	1,37E-06	1,38E-05	3,04E-06	1,31E-10	2,55E-02	2,46E-05
	Module D	-2,28E-01	-2,31E-01	4,61E-03	-1,66E-03	-7,36E-13	-1,52E-03	-8,33E-07	-2,67E-04	-2,84E-03	-8,33E-04	-5,14E-05	3,65E+00	-8,75E-02
1552740000	Total*	1,98E+00	1,95E+00	1,85E-02	6,18E-03	4,35E-11	4,42E-03	4,09E-06	1,02E-03	1,14E-02	2,60E-03	1,09E-05	3,95E+01	4,72E-01

2534230000 2534530000 2534540000 2534480000 2534490000 2534500000 2534510000 2534520000	Manufacturing	1,17E-01	1,17E-01	-4,98E-04	1,03E-04	1,72E-12	3,98E-04	1,53E-07	5,68E-05	5,57E-04	2,09E-04	1,05E-05	2,05E+00	1,17E-02
	Distribution	1,43E-03	1,44E-03	-3,20E-05	1,49E-05	2,40E-16	2,23E-06	3,89E-09	9,10E-07	9,66E-06	1,99E-06	9,60E-11	1,85E-02	6,60E-06
	Installation	1,07E-04	7,63E-06	9,89E-05	4,09E-08	1,35E-17	3,43E-08	3,37E-10	1,62E-08	1,42E-07	4,98E-08	4,36E-13	1,02E-04	6,56E-06
	Use	1,86E+00	1,84E+00	1,89E-02	6,06E-03	4,18E-11	4,02E-03	3,92E-06	9,64E-04	1,08E-02	2,39E-03	3,82E-07	3,75E+01	4,60E-01
	End of Life	4,85E-04	4,09E-04	7,21E-05	3,90E-06	7,58E-17	6,21E-07	2,92E-09	2,65E-07	2,67E-06	5,87E-07	2,54E-11	4,92E-03	4,76E-06
	Module D	-5,00E-02	-5,06E-02	9,30E-04	-2,52E-04	-1,42E-13	-2,54E-04	-1,45E-07	-5,07E-05	-5,36E-04	-1,61E-04	-7,64E-06	-8,37E-01	-1,46E-02
	Total*	1,98E+00	1,96E+00	1,85E-02	6,18E-03	4,35E-11	4,42E-03	4,09E-06	1,02E-03	1,14E-02	2,61E-03	1,09E-05	3,95E+01	4,72E-01
1552770000 1552780000	Manufacturing	1,18E-01	1,18E-01	-4,94E-04	1,04E-04	1,72E-12	4,00E-04	1,55E-07	5,72E-05	5,61E-04	2,11E-04	1,05E-05	2,07E+00	1,18E-02
	Distribution	1,44E-03	1,45E-03	-3,22E-05	1,50E-05	2,41E-16	2,25E-06	3,92E-09	9,17E-07	9,74E-06	2,01E-06	9,68E-11	1,86E-02	6,65E-06
	Installation	1,07E-04	7,63E-06	9,89E-05	4,09E-08	1,35E-17	3,43E-08	3,37E-10	1,62E-08	1,42E-07	4,98E-08	4,36E-13	1,02E-04	6,56E-06
	Use	1,86E+00	1,84E+00	1,89E-02	6,06E-03	4,18E-11	4,02E-03	3,92E-06	9,64E-04	1,08E-02	2,39E-03	3,82E-07	3,75E+01	4,60E-01
	End of Life	4,89E-04	4,13E-04	7,27E-05	3,93E-06	7,65E-17	6,26E-07	2,94E-09	2,68E-07	2,69E-06	5,92E-07	2,56E-11	4,96E-03	4,80E-06
	Module D	-5,05E-02	-5,11E-02	9,31E-04	-2,52E-04	-1,43E-13	-2,55E-04	-1,45E-07	-5,10E-05	-5,39E-04	-1,62E-04	-7,64E-06	-8,46E-01	-1,47E-02
	Total*	1,98E+00	1,96E+00	1,85E-02	6,18E-03	4,35E-11	4,43E-03	4,09E-06	1,02E-03	1,14E-02	2,61E-03	1,09E-05	3,96E+01	4,72E-01
2674630000	Manufacturing	1,20E-01	1,20E-01	-4,88E-04	1,04E-04	1,73E-12	4,02E-04	1,57E-07	5,80E-05	5,68E-04	2,14E-04	1,05E-05	2,10E+00	1,18E-02
	Distribution	1,43E-03	1,44E-03	-3,20E-05	1,49E-05	2,40E-16	2,23E-06	3,89E-09	9,10E-07	9,66E-06	1,99E-06	9,60E-11	1,85E-02	6,60E-06
	Installation	1,07E-04	7,63E-06	9,89E-05	4,09E-08	1,35E-17	3,43E-08	3,37E-10	1,62E-08	1,42E-07	4,98E-08	4,36E-13	1,02E-04	6,56E-06
	Use	1,86E+00	1,84E+00	1,89E-02	6,06E-03	4,18E-11	4,02E-03	3,92E-06	9,64E-04	1,08E-02	2,39E-03	3,82E-07	3,75E+01	4,60E-01
	End of Life	4,85E-04	4,09E-04	7,21E-05	3,90E-06	7,58E-17	6,21E-07	2,92E-09	2,65E-07	2,67E-06	5,87E-07	2,54E-11	4,92E-03	4,76E-06
	Module D	-5,14E-02	-5,21E-02	9,33E-04	-2,50E-04	-1,45E-13	-2,55E-04	-1,46E-07	-5,15E-05	-5,44E-04	-1,64E-04	-7,57E-06	-8,63E-01	-1,47E-02
	Total*	1,98E+00	1,96E+00	1,85E-02	6,18E-03	4,35E-11	4,43E-03	4,09E-06	1,02E-03	1,14E-02	2,61E-03	1,09E-05	3,96E+01	4,72E-01
2674640000	Manufacturing	1,21E-01	1,21E-01	-4,84E-04	1,05E-04	1,73E-12	4,04E-04	1,59E-07	5,85E-05	5,72E-04	2,16E-04	1,05E-05	2,12E+00	1,18E-02
	Distribution	1,44E-03	1,45E-03	-3,22E-05	1,50E-05	2,41E-16	2,25E-06	3,92E-09	9,17E-07	9,74E-06	2,01E-06	9,68E-11	1,86E-02	6,65E-06
	Installation	1,07E-04	7,63E-06	9,89E-05	4,09E-08	1,35E-17	3,43E-08	3,37E-10	1,62E-08	1,42E-07	4,98E-08	4,36E-13	1,02E-04	6,56E-06
	Use	1,86E+00	1,84E+00	1,89E-02	6,06E-03	4,18E-11	4,02E-03	3,92E-06	9,64E-04	1,08E-02	2,39E-03	3,82E-07	3,75E+01	4,60E-01
	End of Life	4,89E-04	4,13E-04	7,27E-05	3,93E-06	7,65E-17	6,26E-07	2,94E-09	2,68E-07	2,69E-06	5,92E-07	2,56E-11	4,96E-03	4,80E-06
	Module D	-5,19E-02	-5,26E-02	9,34E-04	-2,50E-04	-1,46E-13	-2,56E-04	-1,46E-07	-5,18E-05	-5,47E-04	-1,65E-04	-7,57E-06	-8,72E-01	-1,48E-02
	Total*	1,98E+00	1,96E+00	1,85E-02	6,18E-03	4,35E-11	4,43E-03	4,09E-06	1,02E-03	1,14E-02	2,61E-03	1,09E-05	3,96E+01	4,72E-01
2490520000	Manufacturing	1,00E+00	1,00E+00	-3,52E-03	1,01E-03	2,01E-11	4,22E-03	1,32E-06	5,07E-04	5,02E-03	1,87E-03	1,28E-04	1,71E+01	1,16E-01
	Distribution	1,25E-02	1,27E-02	-2,81E-04	1,31E-04	2,11E-15	1,96E-05	3,42E-08	8,00E-06	8,49E-05	1,75E-05	8,44E-10	1,63E-01	5,80E-05
	Installation	6,67E-04	4,77E-05	6,19E-04	2,56E-07	8,44E-17	2,14E-07	2,11E-09	1,01E-07	8,85E-07	3,11E-07	2,73E-12	6,41E-04	4,10E-05
	Use	6,92E+00	6,83E+00	7,02E-02	2,26E-02	1,56E-10	1,50E-02	1,46E-05	3,59E-03	4,02E-02	8,91E-03	1,42E-06	1,39E+02	1,71E+00
	End of Life	4,38E-03	3,69E-03	6,51E-04	3,52E-05	6,84E-16	5,60E-06	2,63E-08	2,40E-06	2,41E-05	5,30E-06	2,29E-10	4,44E-02	4,29E-05
	Module D	-4,25E-01	-4,30E-01	7,19E-03	-3,00E-03	-1,34E-12	-2,78E-03	-1,51E-06	-4,92E-04	-5,23E-03	-1,54E-03	-9,28E-05	6,81E+00	-1,62E-01
	Total*	7,94E+00	7,85E+00	6,77E-02	2,37E-02	1,76E-10	1,92E-02	1,60E-05	4,11E-03	4,54E-02	1,08E-02	1,29E-04	1,57E+02	1,83E+00
2490510000 2819950000	Manufacturing	1,00E+00	1,00E+00	-3,51E-03	1,01E-03	2,01E-11	4,22E-03	1,32E-06	5,07E-04	5,02E-03	1,87E-03	1,28E-04	1,71E+01	1,16E-01
	Distribution	1,25E-02	1,27E-02	-2,81E-04	1,31E-04	2,11E-15	1,96E-05	3,42E-08	8,00E-06	8,49E-05	1,75E-05	8,44E-10	1,63E-01	5,80E-05
	Installation	6,67E-04	4,77E-05	6,19E-04	2,56E-07	8,44E-17	2,14E-07	2,11E-09	1,01E-07	8,85E-07	3,11E-07	2,73E-12	6,41E-04	4,10E-05
	Total*	7,94E+00	7,85E+00	6,77E-02	2,37E-02	1,76E-10	1,92E-02	1,60E-05	4,11E-03	4,53E-02	1,08E-02	1,29E-04	1,57E+02	1,83E+00

	Use	6,92E+00	6,83E+00	7,02E-02	2,26E-02	1,56E-10	1,50E-02	1,46E-05	3,59E-03	4,02E-02	8,91E-03	1,42E-06	1,39E+02	1,71E+00
	End of Life	4,38E-03	3,69E-03	6,51E-04	3,52E-05	6,84E-16	5,60E-06	2,63E-08	2,40E-06	2,41E-05	5,30E-06	2,29E-10	4,44E-02	4,29E-05
	Module D	-4,25E-01	-4,30E-01	7,19E-03	-3,00E-03	-1,34E-12	-2,78E-03	-1,51E-06	-4,92E-04	-5,23E-03	-1,54E-03	-9,28E-05	6,81E+00	-1,62E-01
2819960000	Total*	7,94E+00	7,85E+00	6,77E-02	2,37E-02	1,76E-10	1,92E-02	1,60E-05	4,11E-03	4,53E-02	1,08E-02	1,29E-04	1,57E+02	1,83E+00
	Manufacturing	9,99E-01	1,00E+00	-3,52E-03	1,00E-03	2,01E-11	4,21E-03	1,32E-06	5,07E-04	5,01E-03	1,87E-03	1,28E-04	1,71E+01	1,16E-01
	Distribution	1,25E-02	1,27E-02	-2,81E-04	1,31E-04	2,10E-15	1,96E-05	3,42E-08	7,99E-06	8,48E-05	1,75E-05	8,43E-10	1,62E-01	5,80E-05
	Installation	6,67E-04	4,77E-05	6,19E-04	2,56E-07	8,44E-17	2,14E-07	2,11E-09	1,01E-07	8,85E-07	3,11E-07	2,73E-12	6,41E-04	4,10E-05
	Use	6,92E+00	6,83E+00	7,02E-02	2,26E-02	1,56E-10	1,50E-02	1,46E-05	3,59E-03	4,02E-02	8,91E-03	1,42E-06	1,39E+02	1,71E+00
	End of Life	4,37E-03	3,69E-03	6,50E-04	3,51E-05	6,83E-16	5,59E-06	2,63E-08	2,39E-06	2,41E-05	5,29E-06	2,29E-10	4,43E-02	4,29E-05
	Module D	-4,25E-01	-4,29E-01	7,19E-03	-3,00E-03	-1,34E-12	-2,78E-03	-1,51E-06	-4,92E-04	-5,23E-03	-1,54E-03	-9,28E-05	6,80E+00	-1,62E-01
2674970000	Total*	7,95E+00	7,86E+00	6,77E-02	2,37E-02	1,76E-10	1,92E-02	1,60E-05	4,11E-03	4,54E-02	1,08E-02	1,29E-04	1,57E+02	1,83E+00
	Manufacturing	1,01E+00	1,01E+00	-3,50E-03	1,01E-03	2,01E-11	4,23E-03	1,33E-06	5,10E-04	5,05E-03	1,89E-03	1,28E-04	1,72E+01	1,16E-01
	Distribution	1,25E-02	1,27E-02	-2,81E-04	1,31E-04	2,11E-15	1,96E-05	3,42E-08	8,00E-06	8,49E-05	1,75E-05	8,44E-10	1,63E-01	5,80E-05
	Installation	6,67E-04	4,77E-05	6,19E-04	2,56E-07	8,44E-17	2,14E-07	2,11E-09	1,01E-07	8,85E-07	3,11E-07	2,73E-12	6,41E-04	4,10E-05
	Use	6,92E+00	6,83E+00	7,02E-02	2,26E-02	1,56E-10	1,50E-02	1,46E-05	3,59E-03	4,02E-02	8,91E-03	1,42E-06	1,39E+02	1,71E+00
	End of Life	4,38E-03	3,69E-03	6,51E-04	3,52E-05	6,84E-16	5,60E-06	2,63E-08	2,40E-06	2,41E-05	5,30E-06	2,29E-10	4,44E-02	4,29E-05
	Module D	-4,29E-01	-4,34E-01	7,20E-03	-3,00E-03	-1,35E-12	-2,78E-03	-1,51E-06	-4,94E-04	-5,25E-03	-1,55E-03	-9,26E-05	6,88E+00	-1,62E-01
2674980000	Total*	7,95E+00	7,86E+00	6,77E-02	2,37E-02	1,76E-10	1,92E-02	1,60E-05	4,11E-03	4,54E-02	1,08E-02	1,29E-04	1,57E+02	1,83E+00
	Manufacturing	1,01E+00	1,01E+00	-3,49E-03	1,01E-03	2,01E-11	4,23E-03	1,33E-06	5,10E-04	5,05E-03	1,89E-03	1,28E-04	1,72E+01	1,16E-01
	Distribution	1,25E-02	1,27E-02	-2,81E-04	1,31E-04	2,11E-15	1,96E-05	3,42E-08	8,00E-06	8,49E-05	1,75E-05	8,44E-10	1,63E-01	5,80E-05
	Installation	6,67E-04	4,77E-05	6,19E-04	2,56E-07	8,44E-17	2,14E-07	2,11E-09	1,01E-07	8,85E-07	3,11E-07	2,73E-12	6,41E-04	4,10E-05
	Use	6,92E+00	6,83E+00	7,02E-02	2,26E-02	1,56E-10	1,50E-02	1,46E-05	3,59E-03	4,02E-02	8,91E-03	1,42E-06	1,39E+02	1,71E+00
	End of Life	4,38E-03	3,69E-03	6,51E-04	3,52E-05	6,84E-16	5,60E-06	2,63E-08	2,40E-06	2,41E-05	5,30E-06	2,29E-10	4,44E-02	4,29E-05
	Module D	-4,29E-01	-4,34E-01	7,20E-03	-3,00E-03	-1,35E-12	-2,78E-03	-1,51E-06	-4,94E-04	-5,25E-03	-1,55E-03	-9,26E-05	6,88E+00	-1,62E-01
2494090000	Total*	1,23E+01	1,21E+01	1,12E-01	3,76E-02	2,73E-10	2,88E-02	2,51E-05	6,36E-03	7,05E-02	1,65E-02	1,43E-04	2,44E+02	2,89E+00
	Manufacturing	1,11E+00	1,12E+00	-2,43E-03	1,10E-03	2,22E-11	4,65E-03	1,45E-06	5,62E-04	5,55E-03	2,08E-03	1,41E-04	1,90E+01	1,28E-01
	Distribution	1,38E-02	1,39E-02	-3,09E-04	1,44E-04	2,32E-15	2,16E-05	3,76E-08	8,80E-06	9,34E-05	1,93E-05	9,29E-10	1,79E-01	6,38E-05
	Installation	5,51E-04	3,94E-05	5,11E-04	2,12E-07	6,98E-17	1,77E-07	1,74E-09	8,35E-08	7,32E-07	2,58E-07	2,26E-12	5,30E-04	3,39E-05
	Use	1,12E+01	1,10E+01	1,13E-01	3,63E-02	2,51E-10	2,41E-02	2,35E-05	5,78E-03	6,48E-02	1,43E-02	2,29E-06	2,25E+02	2,76E+00
	End of Life	4,89E-03	4,13E-03	7,27E-04	3,93E-05	7,64E-16	6,26E-06	2,94E-08	2,68E-06	2,69E-05	5,92E-06	2,56E-10	4,96E-02	4,80E-05
	Module D	-4,70E-01	-4,73E-01	6,79E-03	-3,30E-03	-1,48E-12	-3,06E-03	-1,65E-06	-5,41E-04	-5,75E-03	-1,69E-03	-1,02E-04	7,51E+00	-1,78E-01
2494080000	Total*	1,23E+01	1,21E+01	1,09E-01	3,76E-02	2,73E-10	2,88E-02	2,51E-05	6,36E-03	7,05E-02	1,65E-02	1,43E-04	2,44E+02	2,89E+00
	Manufacturing	1,11E+00	1,12E+00	-4,93E-03	1,12E-03	2,22E-11	4,66E-03	1,48E-06	5,64E-04	5,58E-03	2,08E-03	1,41E-04	1,91E+01	1,28E-01
	Distribution	1,42E-02	1,43E-02	-3,18E-04	1,48E-04	2,38E-15	2,22E-05	3,87E-08	9,04E-06	9,60E-05	1,98E-05	9,54E-10	1,84E-01	6,56E-05
	Installation	8,89E-04	6,36E-05	8,25E-04	3,41E-07	1,13E-16	2,86E-07	2,81E-09	1,35E-07	1,18E-06	4,15E-07	3,64E-12	8,55E-04	5,47E-05
	Use	1,12E+01	1,10E+01	1,13E-01	3,63E-02	2,51E-10	2,41E-02	2,35E-05	5,78E-03	6,48E-02	1,43E-02	2,29E-06	2,25E+02	2,76E+00
	End of Life	4,89E-03	4,13E-03	7,27E-04	3,93E-05	7,64E-16	6,26E-06	2,94E-08	2,68E-06	2,69E-05	5,92E-06	2,56E-10	4,96E-02	4,80E-05
	Module D	-4,69E-01	-4,74E-01	8,88E-03	-3,31E-03	-1,49E-12	-3,06E-03	-1,67E-06	-5,43E-04	-5,77E-03	-1,70E-03	-1,02E-04	7,53E+00	-1,78E-01

2675030000	Total*	1,23E+01	1,21E+01	1,12E-01	3,76E-02	2,73E-10	2,88E-02	2,51E-05	6,36E-03	7,05E-02	1,65E-02	1,43E-04	2,44E+02	2,89E+00
	Manufacturing	1,12E+00	1,13E+00	-2,39E-03	1,10E-03	2,22E-11	4,66E-03	1,47E-06	5,66E-04	5,59E-03	2,09E-03	1,41E-04	1,92E+01	1,28E-01
	Distribution	1,38E-02	1,39E-02	-3,09E-04	1,44E-04	2,32E-15	2,16E-05	3,76E-08	8,80E-06	9,34E-05	1,93E-05	9,29E-10	1,79E-01	6,38E-05
	Installation	5,51E-04	3,94E-05	5,11E-04	2,12E-07	6,98E-17	1,77E-07	1,74E-09	8,35E-08	7,32E-07	2,58E-07	2,26E-12	5,30E-04	3,39E-05
	Use	1,12E+01	1,10E+01	1,13E-01	3,63E-02	2,51E-10	2,41E-02	2,35E-05	5,78E-03	6,48E-02	1,43E-02	2,29E-06	2,25E+02	2,76E+00
	End of Life	4,89E-03	4,13E-03	7,27E-04	3,93E-05	7,64E-16	6,26E-06	2,94E-08	2,68E-06	2,69E-05	5,92E-06	2,56E-10	4,96E-02	4,80E-05
	Module D	-4,75E-01	-4,78E-01	6,80E-03	-3,29E-03	-1,49E-12	-3,06E-03	-1,65E-06	-5,44E-04	-5,78E-03	-1,70E-03	-1,02E-04	7,61E+00	-1,78E-01
2675040000	Total*	1,23E+01	1,22E+01	1,09E-01	3,76E-02	2,73E-10	2,88E-02	2,51E-05	6,36E-03	7,05E-02	1,65E-02	1,43E-04	2,44E+02	2,89E+00
	Manufacturing	1,12E+00	1,13E+00	-4,90E-03	1,12E-03	2,22E-11	4,67E-03	1,49E-06	5,68E-04	5,62E-03	2,10E-03	1,41E-04	1,92E+01	1,28E-01
	Distribution	1,42E-02	1,43E-02	-3,18E-04	1,48E-04	2,38E-15	2,22E-05	3,87E-08	9,04E-06	9,60E-05	1,98E-05	9,54E-10	1,84E-01	6,56E-05
	Installation	8,89E-04	6,36E-05	8,25E-04	3,41E-07	1,13E-16	2,86E-07	2,81E-09	1,35E-07	1,18E-06	4,15E-07	3,64E-12	8,55E-04	5,47E-05
	Use	1,12E+01	1,10E+01	1,13E-01	3,63E-02	2,51E-10	2,41E-02	2,35E-05	5,78E-03	6,48E-02	1,43E-02	2,29E-06	2,25E+02	2,76E+00
	End of Life	4,89E-03	4,13E-03	7,27E-04	3,93E-05	7,64E-16	6,26E-06	2,94E-08	2,68E-06	2,69E-05	5,92E-06	2,56E-10	4,96E-02	4,80E-05
	Module D	-4,74E-01	-4,80E-01	8,89E-03	-3,30E-03	-1,50E-12	-3,06E-03	-1,67E-06	-5,45E-04	-5,79E-03	-1,71E-03	-1,02E-04	7,62E+00	-1,78E-01
1521740000 1521920000 2534730000 2534690000 1521870000 2003120000 1521830000 1521800000 1521890000 1521840000	Total*	2,67E+00	2,63E+00	2,46E-02	8,11E-03	5,76E-11	5,99E-03	5,50E-06	1,37E-03	1,52E-02	3,55E-03	1,70E-05	5,39E+01	6,18E-01
	Manufacturing	2,34E-01	2,34E-01	-2,20E-04	1,72E-04	3,03E-12	7,31E-04	3,63E-07	1,08E-04	1,08E-03	4,19E-04	1,65E-05	4,97E+00	1,70E-02
	Distribution	2,26E-03	2,29E-03	-5,07E-05	2,36E-05	3,80E-16	3,54E-06	6,18E-09	1,44E-06	1,53E-05	3,16E-06	1,52E-10	2,94E-02	1,05E-05
	Installation	9,61E-05	6,87E-06	8,92E-05	3,69E-08	1,22E-17	3,09E-08	3,03E-10	1,46E-08	1,28E-07	4,49E-08	3,93E-13	9,24E-05	5,92E-06
	Use	2,43E+00	2,40E+00	2,46E-02	7,91E-03	5,46E-11	5,25E-03	5,13E-06	1,26E-03	1,41E-02	3,12E-03	4,98E-07	4,89E+01	6,01E-01
	End of Life	8,00E-04	6,75E-04	1,19E-04	6,43E-06	1,25E-16	1,02E-06	4,81E-09	4,38E-07	4,41E-06	9,69E-07	4,19E-11	8,11E-03	7,85E-06
	Module D	-8,21E-02	-8,29E-02	1,16E-03	-3,97E-04	-2,30E-13	-4,10E-04	-2,28E-07	-8,22E-05	-8,69E-04	-2,62E-04	-1,20E-05	1,37E+00	-2,41E-02
1521780000	Total*	2,67E+00	2,63E+00	2,46E-02	8,12E-03	5,76E-11	5,99E-03	5,50E-06	1,37E-03	1,52E-02	3,55E-03	1,70E-05	5,39E+01	6,18E-01
	Manufacturing	2,34E-01	2,34E-01	-2,21E-04	1,74E-04	3,03E-12	7,31E-04	3,63E-07	1,08E-04	1,08E-03	4,19E-04	1,65E-05	4,97E+00	1,70E-02
	Distribution	2,26E-03	2,29E-03	-5,07E-05	2,36E-05	3,80E-16	3,54E-06	6,18E-09	1,44E-06	1,53E-05	3,16E-06	1,52E-10	2,94E-02	1,05E-05
	Installation	9,61E-05	6,87E-06	8,92E-05	3,69E-08	1,22E-17	3,09E-08	3,03E-10	1,46E-08	1,28E-07	4,49E-08	3,93E-13	9,24E-05	5,92E-06
	Use	2,43E+00	2,40E+00	2,46E-02	7,91E-03	5,46E-11	5,25E-03	5,13E-06	1,26E-03	1,41E-02	3,12E-03	4,98E-07	4,89E+01	6,01E-01
	End of Life	8,00E-04	6,75E-04	1,19E-04	6,43E-06	1,25E-16	1,02E-06	4,81E-09	4,38E-07	4,41E-06	9,69E-07	4,19E-11	8,11E-03	7,85E-06
	Module D	-8,21E-02	-8,29E-02	1,16E-03	-3,97E-04	-2,30E-13	-4,10E-04	-2,28E-07	-8,22E-05	-8,69E-04	-2,62E-04	-1,20E-05	1,37E+00	-2,41E-02
2674720000	Total*	2,67E+00	2,64E+00	2,48E-02	8,12E-03	5,77E-11	5,99E-03	5,52E-06	1,37E-03	1,52E-02	3,56E-03	1,69E-05	5,40E+01	6,18E-01
	Manufacturing	2,41E-01	2,41E-01	-3,62E-05	1,74E-04	3,07E-12	7,38E-04	3,78E-07	1,11E-04	1,11E-03	4,29E-04	1,64E-05	5,09E+00	1,69E-02
	Distribution	2,26E-03	2,29E-03	-5,07E-05	2,36E-05	3,80E-16	3,54E-06	6,18E-09	1,44E-06	1,53E-05	3,16E-06	1,52E-10	2,94E-02	1,05E-05
	Installation	9,61E-05	6,87E-06	8,92E-05	3,69E-08	1,22E-17	3,09E-08	3,03E-10	1,46E-08	1,28E-07	4,49E-08	3,93E-13	9,24E-05	5,92E-06
	Use	2,43E+00	2,40E+00	2,46E-02	7,91E-03	5,46E-11	5,25E-03	5,13E-06	1,26E-03	1,41E-02	3,12E-03	4,98E-07	4,89E+01	6,01E-01
	End of Life	8,00E-04	6,75E-04	1,19E-04	6,43E-06	1,25E-16	1,02E-06	4,81E-09	4,38E-07	4,41E-06	9,69E-07	4,19E-11	8,11E-03	7,85E-06
	Module D	-8,46E-02	-8,54E-02	1,17E-03	-3,94E-04	-2,35E-13	-4,12E-04	-2,30E-07	-8,36E-05	-8,84E-04	-2,67E-04	-1,19E-05	1,42E+00	-2,42E-02
2674730000	Total*	2,67E+00	2,64E+00	2,48E-02	8,12E-03	5,77E-11	5,99E-03	5,52E-06	1,37E-03	1,52E-02	3,56E-03	1,69E-05	5,40E+01	6,18E-01
	Manufacturing	2,41E-01	2,41E-01	-3,78E-05	1,76E-04	3,07E-12	7,38E-04	3,78E-07	1,11E-04	1,11E-03	4,29E-04	1,64E-05	5,09E+00	1,69E-02
	Distribution	2,26E-03	2,29E-03	-5,07E-05	2,36E-05	3,80E-16	3,54E-06	6,18E-09	1,44E-06	1,53E-05	3,16E-06	1,52E-10	2,94E-02	1,05E-05

	Installation	9,61E-05	6,87E-06	8,92E-05	3,69E-08	1,22E-17	3,09E-08	3,03E-10	1,46E-08	1,28E-07	4,49E-08	3,93E-13	9,24E-05	5,92E-06
	Use	2,43E+00	2,40E+00	2,46E-02	7,91E-03	5,46E-11	5,25E-03	5,13E-06	1,26E-03	1,41E-02	3,12E-03	4,98E-07	4,89E+01	6,01E-01
	End of Life	8,00E-04	6,75E-04	1,19E-04	6,43E-06	1,25E-16	1,02E-06	4,81E-09	4,38E-07	4,41E-06	9,69E-07	4,19E-11	8,11E-03	7,85E-06
	Module D	-8,46E-02	-8,54E-02	1,17E-03	-3,94E-04	-2,35E-13	-4,12E-04	-2,30E-07	-8,36E-05	-8,84E-04	-2,67E-04	-1,19E-05	1,42E+00	-2,42E-02
2051240000	Total*	3,37E+00	3,33E+00	3,07E-02	1,04E-02	7,43E-11	7,78E-03	6,89E-06	1,74E-03	1,93E-02	4,50E-03	3,25E-05	6,70E+01	7,93E-01
	Manufacturing	2,90E-01	2,91E-01	-8,10E-04	2,84E-04	5,13E-12	1,12E-03	3,76E-07	1,44E-04	1,42E-03	5,31E-04	3,18E-05	5,02E+00	3,18E-02
	Distribution	3,49E-03	3,53E-03	-7,82E-05	3,63E-05	5,86E-16	5,46E-06	9,52E-09	2,23E-06	2,36E-05	4,87E-06	2,35E-10	4,53E-02	1,61E-05
	Installation	1,83E-04	1,31E-05	1,70E-04	7,03E-08	2,32E-17	5,89E-08	5,78E-10	2,77E-08	2,43E-07	8,55E-08	7,49E-13	1,76E-04	1,13E-05
	Use	3,08E+00	3,04E+00	3,12E-02	1,00E-02	6,92E-11	6,65E-03	6,49E-06	1,60E-03	1,79E-02	3,96E-03	6,31E-07	6,20E+01	7,61E-01
	End of Life	1,22E-03	1,03E-03	1,81E-04	9,80E-06	1,91E-16	1,56E-06	7,33E-09	6,67E-07	6,71E-06	1,48E-06	6,38E-11	1,24E-02	1,20E-05
	Module D	-1,24E-01	-1,25E-01	1,93E-03	-7,56E-04	-3,69E-13	-7,29E-04	-3,98E-07	-1,35E-04	-1,43E-03	-4,25E-04	-2,32E-05	2,01E+00	-4,27E-02
2051400000 2534290000 2534360000 2051350000 2051460000 2051320000 2051300000 2051370000 2051340000	Total*	3,37E+00	3,33E+00	3,07E-02	1,03E-02	7,43E-11	7,77E-03	6,88E-06	1,74E-03	1,93E-02	4,49E-03	3,25E-05	6,70E+01	7,92E-01
	Manufacturing	2,86E-01	2,87E-01	-8,20E-04	2,66E-04	5,09E-12	1,11E-03	3,74E-07	1,42E-04	1,40E-03	5,26E-04	3,18E-05	4,94E+00	3,09E-02
	Distribution	3,49E-03	3,53E-03	-7,82E-05	3,63E-05	5,86E-16	5,46E-06	9,52E-09	2,23E-06	2,36E-05	4,87E-06	2,35E-10	4,53E-02	1,61E-05
	Installation	1,83E-04	1,31E-05	1,70E-04	7,03E-08	2,32E-17	5,89E-08	5,78E-10	2,77E-08	2,43E-07	8,55E-08	7,49E-13	1,76E-04	1,13E-05
	Use	3,08E+00	3,04E+00	3,12E-02	1,00E-02	6,92E-11	6,65E-03	6,49E-06	1,60E-03	1,79E-02	3,96E-03	6,31E-07	6,20E+01	7,61E-01
	End of Life	1,22E-03	1,03E-03	1,81E-04	9,80E-06	1,91E-16	1,56E-06	7,33E-09	6,67E-07	6,71E-06	1,48E-06	6,38E-11	1,24E-02	1,20E-05
	Module D	-1,24E-01	-1,25E-01	1,93E-03	-7,56E-04	-3,69E-13	-7,29E-04	-3,98E-07	-1,35E-04	-1,43E-03	-4,25E-04	-2,32E-05	2,01E+00	-4,27E-02
2051280000	Total*	3,37E+00	3,33E+00	3,07E-02	1,03E-02	7,43E-11	7,77E-03	6,89E-06	1,74E-03	1,93E-02	4,49E-03	3,25E-05	6,70E+01	7,92E-01
	Manufacturing	2,86E-01	2,87E-01	-8,23E-04	2,67E-04	5,09E-12	1,11E-03	3,74E-07	1,42E-04	1,40E-03	5,26E-04	3,18E-05	4,94E+00	3,09E-02
	Distribution	3,49E-03	3,53E-03	-7,82E-05	3,63E-05	5,86E-16	5,46E-06	9,52E-09	2,23E-06	2,36E-05	4,87E-06	2,35E-10	4,53E-02	1,61E-05
	Installation	1,83E-04	1,31E-05	1,70E-04	7,03E-08	2,32E-17	5,89E-08	5,78E-10	2,77E-08	2,43E-07	8,55E-08	7,49E-13	1,76E-04	1,13E-05
	Use	3,08E+00	3,04E+00	3,12E-02	1,00E-02	6,92E-11	6,65E-03	6,49E-06	1,60E-03	1,79E-02	3,96E-03	6,31E-07	6,20E+01	7,61E-01
	End of Life	1,22E-03	1,03E-03	1,81E-04	9,80E-06	1,91E-16	1,56E-06	7,33E-09	6,67E-07	6,71E-06	1,48E-06	6,38E-11	1,24E-02	1,20E-05
	Module D	-1,24E-01	-1,25E-01	1,93E-03	-7,56E-04	-3,69E-13	-7,29E-04	-3,98E-07	-1,35E-04	-1,43E-03	-4,25E-04	-2,32E-05	2,01E+00	-4,27E-02
2674810000	Total*	3,37E+00	3,33E+00	3,07E-02	1,03E-02	7,43E-11	7,78E-03	6,89E-06	1,74E-03	1,93E-02	4,50E-03	3,25E-05	6,71E+01	7,92E-01
	Manufacturing	2,93E-01	2,93E-01	-8,00E-04	2,68E-04	5,11E-12	1,12E-03	3,83E-07	1,45E-04	1,43E-03	5,36E-04	3,18E-05	5,05E+00	3,10E-02
	Distribution	3,49E-03	3,53E-03	-7,82E-05	3,63E-05	5,86E-16	5,46E-06	9,52E-09	2,23E-06	2,36E-05	4,87E-06	2,35E-10	4,53E-02	1,61E-05
	Installation	1,83E-04	1,31E-05	1,70E-04	7,03E-08	2,32E-17	5,89E-08	5,78E-10	2,77E-08	2,43E-07	8,55E-08	7,49E-13	1,76E-04	1,13E-05
	Use	3,08E+00	3,04E+00	3,12E-02	1,00E-02	6,92E-11	6,65E-03	6,49E-06	1,60E-03	1,79E-02	3,96E-03	6,31E-07	6,20E+01	7,61E-01
	End of Life	1,22E-03	1,03E-03	1,81E-04	9,80E-06	1,91E-16	1,56E-06	7,33E-09	6,67E-07	6,71E-06	1,48E-06	6,38E-11	1,24E-02	1,20E-05
	Module D	-1,27E-01	-1,28E-01	1,94E-03	-7,52E-04	-3,75E-13	-7,31E-04	-4,00E-07	-1,37E-04	-1,45E-03	-4,31E-04	-2,30E-05	2,07E+00	-4,28E-02
2674820000	Total*	3,37E+00	3,33E+00	3,07E-02	1,03E-02	7,43E-11	7,78E-03	6,89E-06	1,74E-03	1,93E-02	4,50E-03	3,25E-05	6,71E+01	7,92E-01
	Manufacturing	2,93E-01	2,93E-01	-8,03E-04	2,69E-04	5,11E-12	1,12E-03	3,83E-07	1,45E-04	1,43E-03	5,36E-04	3,18E-05	5,05E+00	3,10E-02
	Distribution	3,49E-03	3,53E-03	-7,82E-05	3,63E-05	5,86E-16	5,46E-06	9,52E-09	2,23E-06	2,36E-05	4,87E-06	2,35E-10	4,53E-02	1,61E-05
	Installation	1,83E-04	1,31E-05	1,70E-04	7,03E-08	2,32E-17	5,89E-08	5,78E-10	2,77E-08	2,43E-07	8,55E-08	7,49E-13	1,76E-04	1,13E-05
	Use	3,08E+00	3,04E+00	3,12E-02	1,00E-02	6,92E-11	6,65E-03	6,49E-06	1,60E-03	1,79E-02	3,96E-03	6,31E-07	6,20E+01	7,61E-01
	End of Life	1,22E-03	1,03E-03	1,81E-04	9,80E-06	1,91E-16	1,56E-06	7,33E-09	6,67E-07	6,71E-06	1,48E-06	6,38E-11	1,24E-02	1,20E-05

	Module D	-1,27E-01	-1,28E-01	1,94E-03	-7,52E-04	-3,75E-13	-7,31E-04	-4,00E-07	-1,37E-04	-1,45E-03	-4,31E-04	-2,30E-05	2,07E+00	-4,28E-02
1991820000	Total*	5,09E+00	5,03E+00	4,55E-02	1,55E-02	1,12E-10	1,20E-02	1,03E-05	2,63E-03	2,91E-02	6,84E-03	6,21E-05	1,01E+02	1,19E+00
	Manufacturing	5,20E-01	5,20E-01	-1,23E-03	5,04E-04	9,73E-12	2,08E-03	6,76E-07	2,59E-04	2,56E-03	9,59E-04	6,11E-05	8,93E+00	5,74E-02
	Distribution	6,21E-03	6,28E-03	-1,39E-04	6,47E-05	1,04E-15	9,73E-06	1,69E-08	3,96E-06	4,21E-05	8,67E-06	4,18E-10	8,06E-02	2,87E-05
	Installation	2,86E-04	2,05E-05	2,65E-04	1,10E-07	3,62E-17	9,19E-08	9,03E-10	4,33E-08	3,80E-07	1,34E-07	1,17E-12	2,75E-04	1,76E-05
	Use	4,57E+00	4,50E+00	4,63E-02	1,49E-02	1,03E-10	9,87E-03	9,63E-06	2,37E-03	2,65E-02	5,87E-03	9,36E-07	9,19E+01	1,13E+00
	End of Life	2,19E-03	1,84E-03	3,25E-04	1,76E-05	3,42E-16	2,80E-06	1,31E-08	1,20E-06	1,20E-05	2,65E-06	1,14E-10	2,22E-02	2,14E-05
	Module D	-2,31E-01	-2,33E-01	3,23E-03	-1,45E-03	-6,98E-13	-1,38E-03	-7,51E-07	-2,54E-04	-2,69E-03	-7,98E-04	-4,45E-05	3,75E+00	-8,02E-02
2876650000 1991830000 1991840000	Total*	5,09E+00	5,03E+00	4,55E-02	1,55E-02	1,12E-10	1,20E-02	1,03E-05	2,63E-03	2,91E-02	6,84E-03	6,21E-05	1,01E+02	1,19E+00
	Manufacturing	5,19E-01	5,20E-01	-1,23E-03	5,01E-04	9,73E-12	2,08E-03	6,76E-07	2,59E-04	2,56E-03	9,59E-04	6,11E-05	8,93E+00	5,74E-02
	Distribution	6,21E-03	6,28E-03	-1,39E-04	6,47E-05	1,04E-15	9,73E-06	1,69E-08	3,96E-06	4,21E-05	8,67E-06	4,18E-10	8,06E-02	2,87E-05
	Installation	2,86E-04	2,05E-05	2,65E-04	1,10E-07	3,62E-17	9,19E-08	9,03E-10	4,33E-08	3,80E-07	1,34E-07	1,17E-12	2,75E-04	1,76E-05
	Use	4,57E+00	4,50E+00	4,63E-02	1,49E-02	1,03E-10	9,87E-03	9,63E-06	2,37E-03	2,65E-02	5,87E-03	9,36E-07	9,19E+01	1,13E+00
	End of Life	2,19E-03	1,84E-03	3,25E-04	1,76E-05	3,42E-16	2,80E-06	1,31E-08	1,20E-06	1,20E-05	2,65E-06	1,14E-10	2,22E-02	2,14E-05
	Module D	-2,31E-01	-2,33E-01	3,23E-03	-1,45E-03	-6,98E-13	-1,38E-03	-7,51E-07	-2,54E-04	-2,69E-03	-7,98E-04	-4,45E-05	3,75E+00	-8,02E-02
2674900000	Total*	5,10E+00	5,04E+00	4,55E-02	1,55E-02	1,12E-10	1,20E-02	1,03E-05	2,63E-03	2,92E-02	6,85E-03	6,21E-05	1,01E+02	1,19E+00
	Manufacturing	5,26E-01	5,27E-01	-1,21E-03	5,06E-04	9,75E-12	2,09E-03	6,84E-07	2,62E-04	2,58E-03	9,69E-04	6,11E-05	9,05E+00	5,74E-02
	Distribution	6,21E-03	6,28E-03	-1,39E-04	6,47E-05	1,04E-15	9,73E-06	1,69E-08	3,96E-06	4,21E-05	8,67E-06	4,18E-10	8,06E-02	2,87E-05
	Installation	2,86E-04	2,05E-05	2,65E-04	1,10E-07	3,62E-17	9,19E-08	9,03E-10	4,33E-08	3,80E-07	1,34E-07	1,17E-12	2,75E-04	1,76E-05
	Use	4,57E+00	4,50E+00	4,63E-02	1,49E-02	1,03E-10	9,87E-03	9,63E-06	2,37E-03	2,65E-02	5,87E-03	9,36E-07	9,19E+01	1,13E+00
	End of Life	2,19E-03	1,84E-03	3,25E-04	1,76E-05	3,42E-16	2,80E-06	1,31E-08	1,20E-06	1,20E-05	2,65E-06	1,14E-10	2,22E-02	2,14E-05
	Module D	-2,34E-01	-2,36E-01	3,24E-03	-1,44E-03	-7,04E-13	-1,38E-03	-7,53E-07	-2,55E-04	-2,71E-03	-8,04E-04	-4,43E-05	3,80E+00	-8,03E-02
2674920000	Total*	5,10E+00	5,04E+00	4,55E-02	1,55E-02	1,12E-10	1,20E-02	1,03E-05	2,63E-03	2,92E-02	6,85E-03	6,21E-05	1,01E+02	1,19E+00
	Manufacturing	5,26E-01	5,26E-01	-1,21E-03	5,03E-04	9,75E-12	2,09E-03	6,84E-07	2,62E-04	2,58E-03	9,68E-04	6,11E-05	9,04E+00	5,74E-02
	Distribution	6,21E-03	6,28E-03	-1,39E-04	6,47E-05	1,04E-15	9,73E-06	1,69E-08	3,96E-06	4,21E-05	8,67E-06	4,18E-10	8,06E-02	2,87E-05
	Installation	2,86E-04	2,05E-05	2,65E-04	1,10E-07	3,62E-17	9,19E-08	9,03E-10	4,33E-08	3,80E-07	1,34E-07	1,17E-12	2,75E-04	1,76E-05
	Use	4,57E+00	4,50E+00	4,63E-02	1,49E-02	1,03E-10	9,87E-03	9,63E-06	2,37E-03	2,65E-02	5,87E-03	9,36E-07	9,19E+01	1,13E+00
	End of Life	2,19E-03	1,84E-03	3,25E-04	1,76E-05	3,42E-16	2,80E-06	1,31E-08	1,20E-06	1,20E-05	2,65E-06	1,14E-10	2,22E-02	2,14E-05
	Module D	-2,34E-01	-2,36E-01	3,24E-03	-1,44E-03	-7,04E-13	-1,38E-03	-7,53E-07	-2,55E-04	-2,71E-03	-8,04E-04	-4,43E-05	3,80E+00	-8,03E-02
2816930000 2816940000	Total*	1,35E+00	1,34E+00	1,10E-02	3,75E-03	2,81E-11	3,26E-03	2,63E-06	6,90E-04	7,54E-03	1,88E-03	2,54E-05	2,64E+01	2,89E-01
	Manufacturing	2,84E-01	2,84E-01	2,34E-05	2,42E-04	4,18E-12	9,57E-04	3,66E-07	1,36E-04	1,33E-03	5,04E-04	2,51E-05	4,97E+00	2,56E-02
	Distribution	3,44E-03	3,48E-03	-7,72E-05	3,59E-05	5,79E-16	5,40E-06	9,40E-09	2,20E-06	2,33E-05	4,81E-06	2,32E-10	4,47E-02	1,59E-05
	Installation	1,02E-04	7,28E-06	9,44E-05	3,91E-08	1,29E-17	3,27E-08	3,21E-10	1,54E-08	1,35E-07	4,75E-08	4,16E-13	9,78E-05	6,27E-06
	Use	1,06E+00	1,05E+00	1,08E-02	3,46E-03	2,39E-11	2,30E-03	2,24E-06	5,51E-04	6,17E-03	1,37E-03	2,18E-07	2,14E+01	2,63E-01
	End of Life	1,24E-03	1,04E-03	1,84E-04	9,94E-06	1,93E-16	1,58E-06	7,43E-09	6,77E-07	6,81E-06	1,50E-06	6,47E-11	1,25E-02	1,21E-05
	Module D	-1,16E-01	-1,17E-01	1,30E-03	-5,98E-04	-3,31E-13	-5,98E-04	-3,32E-07	-1,18E-04	-1,24E-03	-3,74E-04	-1,83E-05	1,92E+00	-3,44E-02
2856200000 2856210000	Total*	1,36E+00	1,34E+00	1,10E-02	3,75E-03	2,81E-11	3,27E-03	2,63E-06	6,92E-04	7,56E-03	1,89E-03	2,54E-05	2,65E+01	2,89E-01
	Manufacturing	2,90E-01	2,90E-01	4,30E-05	2,44E-04	4,20E-12	9,65E-04	3,74E-07	1,38E-04	1,35E-03	5,13E-04	2,51E-05	5,08E+00	2,57E-02

	Distribution	3,44E-03	3,48E-03	-7,72E-05	3,59E-05	5,79E-16	5,40E-06	9,40E-09	2,20E-06	2,33E-05	4,81E-06	2,32E-10	4,47E-02	1,59E-05
	Installation	1,02E-04	7,28E-06	9,44E-05	3,91E-08	1,29E-17	3,27E-08	3,21E-10	1,54E-08	1,35E-07	4,75E-08	4,16E-13	9,78E-05	6,27E-06
	Use	1,06E+00	1,05E+00	1,08E-02	3,46E-03	2,39E-11	2,30E-03	2,24E-06	5,51E-04	6,17E-03	1,37E-03	2,18E-07	2,14E+01	2,63E-01
	End of Life	1,24E-03	1,04E-03	1,84E-04	9,94E-06	1,93E-16	1,58E-06	7,43E-09	6,77E-07	6,81E-06	1,50E-06	6,47E-11	1,25E-02	1,21E-05
	Module D	-1,19E-01	-1,19E-01	1,31E-03	-5,93E-04	-3,36E-13	-5,99E-04	-3,34E-07	-1,19E-04	-1,26E-03	-3,80E-04	-1,81E-05	1,98E+00	-3,45E-02
2817980000	Total*	1,37E+00	1,35E+00	1,10E-02	3,79E-03	2,91E-11	3,42E-03	2,65E-06	7,00E-04	7,65E-03	1,91E-03	3,22E-05	2,66E+01	2,94E-01
	Manufacturing	2,98E-01	2,98E-01	-2,67E-05	2,81E-04	5,17E-12	1,12E-03	3,86E-07	1,46E-04	1,44E-03	5,41E-04	3,20E-05	5,15E+00	3,10E-02
	Distribution	3,54E-03	3,58E-03	-7,93E-05	3,69E-05	5,94E-16	5,54E-06	9,65E-09	2,26E-06	2,40E-05	4,94E-06	2,38E-10	4,59E-02	1,64E-05
	Installation	1,02E-04	7,28E-06	9,44E-05	3,91E-08	1,29E-17	3,27E-08	3,21E-10	1,54E-08	1,35E-07	4,75E-08	4,16E-13	9,78E-05	6,27E-06
	Use	1,06E+00	1,05E+00	1,08E-02	3,46E-03	2,39E-11	2,30E-03	2,24E-06	5,51E-04	6,17E-03	1,37E-03	2,18E-07	2,14E+01	2,63E-01
	End of Life	1,27E-03	1,07E-03	1,89E-04	1,02E-05	1,99E-16	1,63E-06	7,64E-09	6,95E-07	7,00E-06	1,54E-06	6,65E-11	1,29E-02	1,25E-05
	Module D	-1,23E-01	-1,24E-01	1,41E-03	-7,53E-04	-3,73E-13	-7,15E-04	-3,92E-07	-1,33E-04	-1,41E-03	-4,19E-04	-2,33E-05	2,00E+00	-4,09E-02
2856220000	Total*	1,37E+00	1,36E+00	1,10E-02	3,79E-03	2,91E-11	3,43E-03	2,65E-06	7,03E-04	7,67E-03	1,92E-03	3,22E-05	2,67E+01	2,94E-01
	Manufacturing	3,04E-01	3,04E-01	-7,14E-06	2,83E-04	5,19E-12	1,12E-03	3,94E-07	1,49E-04	1,46E-03	5,50E-04	3,20E-05	5,26E+00	3,11E-02
	Distribution	3,54E-03	3,58E-03	-7,93E-05	3,69E-05	5,94E-16	5,54E-06	9,65E-09	2,26E-06	2,40E-05	4,94E-06	2,38E-10	4,59E-02	1,64E-05
	Installation	1,02E-04	7,28E-06	9,44E-05	3,91E-08	1,29E-17	3,27E-08	3,21E-10	1,54E-08	1,35E-07	4,75E-08	4,16E-13	9,78E-05	6,27E-06
	Use	1,06E+00	1,05E+00	1,08E-02	3,46E-03	2,39E-11	2,30E-03	2,24E-06	5,51E-04	6,17E-03	1,37E-03	2,18E-07	2,14E+01	2,63E-01
	End of Life	1,27E-03	1,07E-03	1,89E-04	1,02E-05	1,99E-16	1,63E-06	7,64E-09	6,95E-07	7,00E-06	1,54E-06	6,65E-11	1,29E-02	1,25E-05
	Module D	-1,26E-01	-1,27E-01	1,42E-03	-7,49E-04	-3,78E-13	-7,16E-04	-3,94E-07	-1,34E-04	-1,42E-03	-4,25E-04	-2,31E-05	2,06E+00	-4,10E-02
2428510000 2428520000	Total*	2,32E+00	2,30E+00	1,70E-02	6,22E-03	4,99E-11	6,29E-03	4,50E-06	1,19E-03	1,29E-02	3,37E-03	7,87E-05	4,67E+01	4,84E-01
	Manufacturing	6,42E-01	6,41E-01	-3,45E-04	6,97E-04	1,24E-11	2,67E-03	9,44E-07	3,15E-04	3,18E-03	1,21E-03	7,84E-05	1,30E+01	7,11E-02
	Distribution	6,01E-03	6,08E-03	-1,35E-04	6,27E-05	1,01E-15	9,42E-06	1,64E-08	3,84E-06	4,08E-05	8,40E-06	4,05E-10	7,80E-02	2,79E-05
	Installation	2,17E-04	1,56E-05	2,02E-04	8,35E-08	2,75E-17	6,99E-08	6,87E-10	3,30E-08	2,89E-07	1,02E-07	8,90E-13	2,09E-04	1,34E-05
	Use	1,67E+00	1,65E+00	1,69E-02	5,44E-03	3,75E-11	3,61E-03	3,52E-06	8,66E-04	9,70E-03	2,15E-03	3,43E-07	3,36E+01	4,13E-01
	End of Life	2,14E-03	1,81E-03	3,19E-04	1,72E-05	3,35E-16	2,74E-06	1,29E-08	1,17E-06	1,18E-05	2,59E-06	1,12E-10	2,17E-02	2,10E-05
	Module D	-2,38E-01	-2,40E-01	3,05E-03	-1,83E-03	-7,87E-13	-1,65E-03	-8,88E-07	-2,84E-04	-3,02E-03	-8,85E-04	-5,72E-05	3,77E+00	-9,45E-02
2771890000	Total*	2,33E+00	2,31E+00	1,70E-02	6,22E-03	5,00E-11	6,30E-03	4,51E-06	1,19E-03	1,30E-02	3,39E-03	7,87E-05	4,69E+01	4,84E-01
	Manufacturing	6,52E-01	6,52E-01	-3,11E-04	7,01E-04	1,24E-11	2,68E-03	9,58E-07	3,19E-04	3,22E-03	1,23E-03	7,84E-05	1,32E+01	7,12E-02
	Distribution	6,01E-03	6,08E-03	-1,35E-04	6,27E-05	1,01E-15	9,42E-06	1,64E-08	3,84E-06	4,08E-05	8,40E-06	4,05E-10	7,80E-02	2,79E-05
	Installation	2,17E-04	1,56E-05	2,02E-04	8,35E-08	2,75E-17	6,99E-08	6,87E-10	3,30E-08	2,89E-07	1,02E-07	8,90E-13	2,09E-04	1,34E-05
	Use	1,67E+00	1,65E+00	1,69E-02	5,44E-03	3,75E-11	3,61E-03	3,52E-06	8,66E-04	9,70E-03	2,15E-03	3,43E-07	3,36E+01	4,13E-01
	End of Life	2,14E-03	1,81E-03	3,19E-04	1,72E-05	3,35E-16	2,74E-06	1,29E-08	1,17E-06	1,18E-05	2,59E-06	1,12E-10	2,17E-02	2,10E-05
	Module D	-2,43E-01	-2,45E-01	3,06E-03	-1,83E-03	-7,96E-13	-1,65E-03	-8,91E-07	-2,87E-04	-3,05E-03	-8,95E-04	-5,69E-05	3,86E+00	-9,46E-02
2428530000	Total*	2,38E+00	2,35E+00	2,41E-02	6,52E-03	5,03E-11	5,80E-03	4,83E-06	1,22E-03	1,34E-02	3,31E-03	5,00E-05	4,71E+01	4,96E-01
	Manufacturing	5,52E-01	5,46E-01	5,32E-03	5,29E-04	9,31E-12	1,86E-03	9,64E-07	2,70E-04	2,76E-03	9,60E-04	4,96E-05	1,04E+01	4,52E-02
	Distribution	3,91E-03	3,96E-03	-8,77E-05	4,08E-05	6,57E-16	6,13E-06	1,07E-08	2,50E-06	2,65E-05	5,46E-06	2,63E-10	5,08E-02	1,81E-05
	Installation	2,17E-04	1,56E-05	2,02E-04	8,35E-08	2,75E-17	6,99E-08	6,87E-10	3,30E-08	2,89E-07	1,02E-07	8,90E-13	2,09E-04	1,34E-05
	Use	1,82E+00	1,80E+00	1,85E-02	5,93E-03	4,10E-11	3,94E-03	3,84E-06	9,44E-04	1,06E-02	2,34E-03	3,74E-07	3,67E+01	4,51E-01

	End of Life	1,36E-03	1,15E-03	2,03E-04	1,09E-05	2,13E-16	1,74E-06	8,19E-09	7,45E-07	7,50E-06	1,65E-06	7,13E-11	1,38E-02	1,34E-05
	Module D	-2,10E-01	-2,11E-01	2,35E-03	-1,27E-03	-6,39E-13	-1,22E-03	-6,63E-07	-2,26E-04	-2,40E-03	-7,13E-04	-3,91E-05	3,41E+00	-7,03E-02
2757430000	Total*	2,63E+00	2,60E+00	2,44E-02	6,85E-03	5,57E-11	6,94E-03	5,21E-06	1,34E-03	1,47E-02	3,79E-03	8,53E-05	5,23E+01	5,26E-01
	Manufacturing	7,96E-01	7,90E-01	5,49E-03	8,23E-04	1,48E-11	2,99E-03	1,33E-06	3,92E-04	4,01E-03	1,44E-03	8,49E-05	1,55E+01	7,54E-02
	Distribution	6,84E-03	6,92E-03	-1,53E-04	7,13E-05	1,15E-15	1,07E-05	1,87E-08	4,37E-06	4,64E-05	9,56E-06	4,61E-10	8,88E-02	3,17E-05
	Installation	2,17E-04	1,56E-05	2,02E-04	8,35E-08	2,75E-17	6,99E-08	6,87E-10	3,30E-08	2,89E-07	1,02E-07	8,90E-13	2,09E-04	1,34E-05
	Use	1,82E+00	1,80E+00	1,85E-02	5,93E-03	4,10E-11	3,94E-03	3,84E-06	9,44E-04	1,06E-02	2,34E-03	3,74E-07	3,67E+01	4,51E-01
	End of Life	2,45E-03	2,07E-03	3,64E-04	1,97E-05	3,83E-16	3,14E-06	1,47E-08	1,34E-06	1,35E-05	2,97E-06	1,28E-10	2,48E-02	2,40E-05
	Module D	-2,55E-01	-2,56E-01	3,17E-03	-2,05E-03	-8,70E-13	-1,82E-03	-9,79E-07	-3,09E-04	-3,29E-03	-9,62E-04	-6,40E-05	4,01E+00	-1,04E-01
2428840000	Total*	2,38E+00	2,35E+00	2,41E-02	6,52E-03	5,03E-11	5,81E-03	4,83E-06	1,22E-03	1,34E-02	3,31E-03	5,00E-05	4,71E+01	4,96E-01
	Manufacturing	5,53E-01	5,47E-01	5,32E-03	5,31E-04	9,31E-12	1,86E-03	9,65E-07	2,70E-04	2,76E-03	9,61E-04	4,96E-05	1,04E+01	4,53E-02
	Distribution	3,91E-03	3,96E-03	-8,77E-05	4,08E-05	6,57E-16	6,13E-06	1,07E-08	2,50E-06	2,65E-05	5,46E-06	2,63E-10	5,08E-02	1,81E-05
	Installation	2,17E-04	1,56E-05	2,02E-04	8,35E-08	2,75E-17	6,99E-08	6,87E-10	3,30E-08	2,89E-07	1,02E-07	8,90E-13	2,09E-04	1,34E-05
	Use	1,82E+00	1,80E+00	1,85E-02	5,93E-03	4,10E-11	3,94E-03	3,84E-06	9,44E-04	1,06E-02	2,34E-03	3,74E-07	3,67E+01	4,51E-01
	End of Life	1,36E-03	1,15E-03	2,03E-04	1,09E-05	2,13E-16	1,74E-06	8,19E-09	7,45E-07	7,50E-06	1,65E-06	7,13E-11	1,38E-02	1,34E-05
	Module D	-2,10E-01	-2,11E-01	2,35E-03	-1,27E-03	-6,39E-13	-1,22E-03	-6,63E-07	-2,26E-04	-2,40E-03	-7,13E-04	-3,91E-05	3,41E+00	-7,03E-02
2428540000 2428850000	Total*	2,50E+00	2,48E+00	1,65E-02	6,79E-03	5,46E-11	6,84E-03	4,90E-06	1,29E-03	1,40E-02	3,64E-03	8,69E-05	5,04E+01	5,29E-01
	Manufacturing	6,73E-01	6,75E-01	-2,65E-03	7,66E-04	1,36E-11	2,89E-03	1,02E-06	3,36E-04	3,40E-03	1,29E-03	8,65E-05	1,36E+01	7,79E-02
	Distribution	6,67E-03	6,75E-03	-1,50E-04	6,96E-05	1,12E-15	1,05E-05	1,82E-08	4,26E-06	4,52E-05	9,32E-06	4,49E-10	8,66E-02	3,09E-05
	Installation	5,27E-04	3,77E-05	4,89E-04	2,02E-07	6,67E-17	1,69E-07	1,66E-09	7,98E-08	7,00E-07	2,46E-07	2,16E-12	5,06E-04	3,24E-05
	Use	1,82E+00	1,80E+00	1,85E-02	5,93E-03	4,10E-11	3,94E-03	3,84E-06	9,44E-04	1,06E-02	2,34E-03	3,74E-07	3,67E+01	4,51E-01
	End of Life	2,26E-03	1,91E-03	3,36E-04	1,82E-05	3,53E-16	2,89E-06	1,36E-08	1,24E-06	1,24E-05	2,73E-06	1,18E-10	2,29E-02	2,22E-05
	Module D	-2,47E-01	-2,50E-01	5,11E-03	-2,03E-03	-8,43E-13	-1,79E-03	-9,81E-07	-3,04E-04	-3,24E-03	-9,44E-04	-6,32E-05	3,90E+00	-1,03E-01
2735510000	Total*	2,52E+00	2,49E+00	1,65E-02	6,79E-03	5,46E-11	6,86E-03	4,91E-06	1,29E-03	1,41E-02	3,66E-03	8,69E-05	5,06E+01	5,29E-01
	Manufacturing	6,84E-01	6,86E-01	-2,62E-03	7,70E-04	1,36E-11	2,90E-03	1,03E-06	3,40E-04	3,44E-03	1,30E-03	8,65E-05	1,38E+01	7,80E-02
	Distribution	6,67E-03	6,75E-03	-1,50E-04	6,96E-05	1,12E-15	1,05E-05	1,82E-08	4,26E-06	4,52E-05	9,32E-06	4,49E-10	8,66E-02	3,09E-05
	Installation	5,27E-04	3,77E-05	4,89E-04	2,02E-07	6,67E-17	1,69E-07	1,66E-09	7,98E-08	7,00E-07	2,46E-07	2,16E-12	5,06E-04	3,24E-05
	Use	1,82E+00	1,80E+00	1,85E-02	5,93E-03	4,10E-11	3,94E-03	3,84E-06	9,44E-04	1,06E-02	2,34E-03	3,74E-07	3,67E+01	4,51E-01
	End of Life	2,26E-03	1,91E-03	3,36E-04	1,82E-05	3,53E-16	2,89E-06	1,36E-08	1,24E-06	1,24E-05	2,73E-06	1,18E-10	2,29E-02	2,22E-05
	Module D	-2,52E-01	-2,55E-01	5,12E-03	-2,02E-03	-8,52E-13	-1,80E-03	-9,83E-07	-3,07E-04	-3,27E-03	-9,54E-04	-6,28E-05	4,00E+00	-1,03E-01
1552690000 2534260000 1552700000 2534460000 2534470000 2534410000 2534420000 1552720000 2534430000 2534440000 2534450000	Total*	2,26E+00	2,24E+00	2,13E-02	7,07E-03	4,99E-11	5,08E-03	4,67E-06	1,17E-03	1,30E-02	2,98E-03	1,37E-05	4,52E+01	5,40E-01
	Manufacturing	1,36E-01	1,36E-01	-4,42E-04	1,25E-04	2,15E-12	4,85E-04	1,77E-07	6,65E-05	6,53E-04	2,45E-04	1,33E-05	2,36E+00	1,42E-02
	Distribution	1,65E-03	1,67E-03	-3,69E-05	1,72E-05	2,77E-16	2,58E-06	4,50E-09	1,05E-06	1,12E-05	2,30E-06	1,11E-10	2,14E-02	7,63E-06
	Installation	1,02E-04	7,29E-06	9,45E-05	3,91E-08	1,29E-17	3,28E-08	3,22E-10	1,54E-08	1,35E-07	4,76E-08	4,17E-13	9,80E-05	6,27E-06
	Use	2,13E+00	2,10E+00	2,16E-02	6,92E-03	4,78E-11	4,59E-03	4,49E-06	1,10E-03	1,23E-02	2,73E-03	4,36E-07	4,28E+01	5,26E-01
	End of Life	5,69E-04	4,80E-04	8,46E-05	4,57E-06	8,90E-17	7,28E-07	3,42E-09	3,11E-07	3,14E-06	6,89E-07	2,98E-11	5,77E-03	5,58E-06
	Module D	-5,77E-02	-5,83E-02	9,65E-04	-3,17E-04	-1,69E-13	-3,12E-04	-1,75E-07	-6,02E-05	-6,37E-04	-1,91E-04	-9,68E-06	-9,56E-01	-1,80E-02
	2674660000	Total*	2,27E+00	2,24E+00	2,13E-02	7,07E-03	5,00E-11	5,09E-03	4,67E-06	1,17E-03	1,30E-02	2,99E-03	1,37E-05	4,52E+01

2674670000	Manufacturing	1,39E-01	1,39E-01	-4,32E-04	1,26E-04	2,16E-12	4,89E-04	1,81E-07	6,77E-05	6,65E-04	2,50E-04	1,33E-05	2,42E+00	1,42E-02
	Distribution	1,65E-03	1,67E-03	-3,69E-05	1,72E-05	2,77E-16	2,58E-06	4,50E-09	1,05E-06	1,12E-05	2,30E-06	1,11E-10	2,14E-02	7,63E-06
	Installation	1,02E-04	7,29E-06	9,45E-05	3,91E-08	1,29E-17	3,28E-08	3,22E-10	1,54E-08	1,35E-07	4,76E-08	4,17E-13	9,80E-05	6,27E-06
	Use	2,13E+00	2,10E+00	2,16E-02	6,92E-03	4,78E-11	4,59E-03	4,49E-06	1,10E-03	1,23E-02	2,73E-03	4,36E-07	4,28E+01	5,26E-01
	End of Life	5,69E-04	4,80E-04	8,46E-05	4,57E-06	8,90E-17	7,28E-07	3,42E-09	3,11E-07	3,14E-06	6,89E-07	2,98E-11	5,77E-03	5,58E-06
	Module D	-5,91E-02	-5,98E-02	9,68E-04	-3,15E-04	-1,71E-13	-3,12E-04	-1,76E-07	-6,10E-05	-6,46E-04	-1,94E-04	-9,60E-06	-9,83E-01	-1,80E-02
1521690000 1521820000 1521770000 2003130000 1521720000 1521710000 1521790000 1521730000	Total*	3,20E+00	3,16E+00	2,96E-02	9,74E-03	6,91E-11	7,18E-03	6,61E-06	1,64E-03	1,83E-02	4,26E-03	1,97E-05	6,49E+01	7,41E-01
Manufacturing	2,85E-01	2,85E-01	-1,81E-04	2,10E-04	3,55E-12	8,77E-04	4,49E-07	1,30E-04	1,30E-03	5,09E-04	1,91E-05	6,20E+00	1,96E-02	
Distribution	2,70E-03	2,73E-03	-6,06E-05	2,82E-05	4,54E-16	4,24E-06	7,38E-09	1,73E-06	1,83E-05	3,77E-06	1,82E-10	3,51E-02	1,25E-05	
Installation	1,09E-04	7,78E-06	1,01E-04	4,18E-08	1,38E-17	3,50E-08	3,44E-10	1,65E-08	1,44E-07	5,08E-08	4,45E-13	1,05E-04	6,70E-06	
Use	2,92E+00	2,88E+00	2,96E-02	9,49E-03	6,55E-11	6,30E-03	6,15E-06	1,51E-03	1,69E-02	3,75E-03	5,98E-07	5,87E+01	7,21E-01	
End of Life	9,59E-04	8,09E-04	1,43E-04	7,70E-06	1,50E-16	1,23E-06	5,76E-09	5,24E-07	5,28E-06	1,16E-06	5,02E-11	9,72E-03	9,40E-06	
Module D	-9,59E-02	-9,68E-02	1,35E-03	-4,59E-04	-2,67E-13	-4,77E-04	-2,64E-07	-9,58E-05	-1,01E-03	-3,05E-04	-1,39E-05	1,60E+00	-2,82E-02	
1521700000	Total*	3,20E+00	3,16E+00	2,96E-02	9,74E-03	6,91E-11	7,18E-03	6,61E-06	1,64E-03	1,83E-02	4,26E-03	1,97E-05	6,49E+01	7,41E-01
Manufacturing	2,85E-01	2,85E-01	-1,83E-04	2,13E-04	3,55E-12	8,77E-04	4,49E-07	1,30E-04	1,30E-03	5,10E-04	1,91E-05	6,20E+00	1,96E-02	
Distribution	2,70E-03	2,73E-03	-6,06E-05	2,82E-05	4,54E-16	4,24E-06	7,38E-09	1,73E-06	1,83E-05	3,77E-06	1,82E-10	3,51E-02	1,25E-05	
Installation	1,09E-04	7,78E-06	1,01E-04	4,18E-08	1,38E-17	3,50E-08	3,44E-10	1,65E-08	1,44E-07	5,08E-08	4,45E-13	1,05E-04	6,70E-06	
Use	2,92E+00	2,88E+00	2,96E-02	9,49E-03	6,55E-11	6,30E-03	6,15E-06	1,51E-03	1,69E-02	3,75E-03	5,98E-07	5,87E+01	7,21E-01	
End of Life	9,59E-04	8,09E-04	1,43E-04	7,70E-06	1,50E-16	1,23E-06	5,76E-09	5,24E-07	5,28E-06	1,16E-06	5,02E-11	9,72E-03	9,40E-06	
Module D	-9,59E-02	-9,68E-02	1,35E-03	-4,59E-04	-2,67E-13	-4,77E-04	-2,64E-07	-9,58E-05	-1,01E-03	-3,05E-04	-1,39E-05	1,60E+00	-2,82E-02	
2534750000 2534740000	Total*	3,20E+00	3,16E+00	2,93E-02	9,74E-03	6,91E-11	7,18E-03	6,62E-06	1,64E-03	1,83E-02	4,26E-03	1,97E-05	6,50E+01	7,41E-01
Manufacturing	2,85E-01	2,85E-01	-4,71E-04	2,11E-04	3,55E-12	8,77E-04	4,52E-07	1,30E-04	1,31E-03	5,10E-04	1,91E-05	6,20E+00	1,96E-02	
Distribution	2,75E-03	2,78E-03	-6,16E-05	2,86E-05	4,62E-16	4,30E-06	7,50E-09	1,75E-06	1,86E-05	3,84E-06	1,85E-10	3,56E-02	1,27E-05	
Installation	1,48E-04	1,06E-05	1,37E-04	5,68E-08	1,87E-17	4,75E-08	4,67E-10	2,24E-08	1,96E-07	6,90E-08	6,05E-13	1,42E-04	9,10E-06	
Use	2,92E+00	2,88E+00	2,96E-02	9,49E-03	6,55E-11	6,30E-03	6,15E-06	1,51E-03	1,69E-02	3,75E-03	5,98E-07	5,87E+01	7,21E-01	
End of Life	9,59E-04	8,09E-04	1,43E-04	7,70E-06	1,50E-16	1,23E-06	5,76E-09	5,24E-07	5,28E-06	1,16E-06	5,02E-11	9,72E-03	9,40E-06	
Module D	-9,58E-02	-9,70E-02	1,59E-03	-4,60E-04	-2,68E-13	-4,78E-04	-2,67E-07	-9,60E-05	-1,02E-03	-3,06E-04	-1,39E-05	1,60E+00	-2,82E-02	
2674750000 2799160000	Total*	3,21E+00	3,17E+00	2,98E-02	9,74E-03	6,91E-11	7,19E-03	6,63E-06	1,65E-03	1,83E-02	4,27E-03	1,96E-05	6,51E+01	7,41E-01
Manufacturing	2,92E-01	2,92E-01	2,82E-05	2,12E-04	3,59E-12	8,83E-04	4,65E-07	1,33E-04	1,34E-03	5,20E-04	1,90E-05	6,33E+00	1,94E-02	
Distribution	2,70E-03	2,73E-03	-6,06E-05	2,82E-05	4,54E-16	4,24E-06	7,38E-09	1,73E-06	1,83E-05	3,77E-06	1,82E-10	3,51E-02	1,25E-05	
Installation	1,09E-04	7,78E-06	1,01E-04	4,18E-08	1,38E-17	3,50E-08	3,44E-10	1,65E-08	1,44E-07	5,08E-08	4,45E-13	1,05E-04	6,70E-06	
Use	2,92E+00	2,88E+00	2,96E-02	9,49E-03	6,55E-11	6,30E-03	6,15E-06	1,51E-03	1,69E-02	3,75E-03	5,98E-07	5,87E+01	7,21E-01	
End of Life	9,59E-04	8,09E-04	1,43E-04	7,70E-06	1,50E-16	1,23E-06	5,76E-09	5,24E-07	5,28E-06	1,16E-06	5,02E-11	9,72E-03	9,40E-06	
Module D	-9,85E-02	-9,94E-02	1,35E-03	-4,56E-04	-2,72E-13	-4,79E-04	-2,66E-07	-9,73E-05	-1,03E-03	-3,10E-04	-1,37E-05	1,65E+00	-2,83E-02	
2674760000	Total*	3,21E+00	3,17E+00	2,98E-02	9,75E-03	6,91E-11	7,19E-03	6,63E-06	1,65E-03	1,83E-02	4,28E-03	1,96E-05	6,51E+01	7,41E-01
Manufacturing	2,92E-01	2,92E-01	2,62E-05	2,15E-04	3,59E-12	8,83E-04	4,65E-07	1,33E-04	1,34E-03	5,20E-04	1,90E-05	6,33E+00	1,94E-02	
Distribution	2,70E-03	2,73E-03	-6,06E-05	2,82E-05	4,54E-16	4,24E-06	7,38E-09	1,73E-06	1,83E-05	3,77E-06	1,82E-10	3,51E-02	1,25E-05	
Installation	1,09E-04	7,78E-06	1,01E-04	4,18E-08	1,38E-17	3,50E-08	3,44E-10	1,65E-08	1,44E-07	5,08E-08	4,45E-13	1,05E-04	6,70E-06	

	Use	2,92E+00	2,88E+00	2,96E-02	9,49E-03	6,55E-11	6,30E-03	6,15E-06	1,51E-03	1,69E-02	3,75E-03	5,98E-07	5,87E+01	7,21E-01
	End of Life	9,59E-04	8,09E-04	1,43E-04	7,70E-06	1,50E-16	1,23E-06	5,76E-09	5,24E-07	5,28E-06	1,16E-06	5,02E-11	9,72E-03	9,40E-06
	Module D	-9,85E-02	-9,94E-02	1,35E-03	-4,56E-04	-2,72E-13	-4,79E-04	-2,66E-07	-9,73E-05	-1,03E-03	-3,10E-04	-1,37E-05	1,65E+00	-2,83E-02
2051500000	Total*	3,76E+00	3,72E+00	3,35E-02	1,15E-02	8,30E-11	8,77E-03	7,66E-06	1,94E-03	2,15E-02	5,04E-03	4,15E-05	7,47E+01	8,81E-01
	Manufacturing	3,54E-01	3,55E-01	-1,34E-03	3,55E-04	6,53E-12	1,41E-03	4,65E-07	1,77E-04	1,75E-03	6,54E-04	4,08E-05	6,11E+00	3,97E-02
	Distribution	4,34E-03	4,39E-03	-9,72E-05	4,52E-05	7,29E-16	6,80E-06	1,18E-08	2,77E-06	2,94E-05	6,06E-06	2,92E-10	5,63E-02	2,01E-05
	Installation	2,65E-04	1,89E-05	2,46E-04	1,02E-07	3,35E-17	8,51E-08	8,36E-10	4,01E-08	3,52E-07	1,24E-07	1,08E-12	2,55E-04	1,63E-05
	Use	3,40E+00	3,36E+00	3,45E-02	1,11E-02	7,65E-11	7,35E-03	7,18E-06	1,76E-03	1,98E-02	4,37E-03	6,98E-07	6,85E+01	8,41E-01
	End of Life	1,50E-03	1,27E-03	2,23E-04	1,21E-05	2,35E-16	1,92E-06	9,02E-09	8,21E-07	8,27E-06	1,82E-06	7,85E-11	1,52E-02	1,47E-05
	Module D	-1,51E-01	-1,53E-01	2,65E-03	-9,67E-04	-4,58E-13	-9,23E-04	-5,03E-07	-1,68E-04	-1,79E-03	-5,28E-04	-2,97E-05	2,45E+00	-5,41E-02
2051660000 2534390000 2534400000 2051580000 2051670000 2051540000 2051530000 2051610000 2051550000	Total*	3,76E+00	3,71E+00	3,35E-02	1,15E-02	8,29E-11	8,76E-03	7,66E-06	1,94E-03	2,15E-02	5,03E-03	4,15E-05	7,46E+01	8,80E-01
	Manufacturing	3,50E-01	3,51E-01	-1,35E-03	3,36E-04	6,49E-12	1,40E-03	4,62E-07	1,76E-04	1,73E-03	6,48E-04	4,08E-05	6,02E+00	3,89E-02
	Distribution	4,33E-03	4,38E-03	-9,72E-05	4,52E-05	7,28E-16	6,79E-06	1,18E-08	2,77E-06	2,94E-05	6,05E-06	2,92E-10	5,62E-02	2,01E-05
	Installation	2,65E-04	1,89E-05	2,46E-04	1,02E-07	3,35E-17	8,51E-08	8,36E-10	4,01E-08	3,52E-07	1,24E-07	1,08E-12	2,55E-04	1,63E-05
	Use	3,40E+00	3,36E+00	3,45E-02	1,11E-02	7,65E-11	7,35E-03	7,18E-06	1,76E-03	1,98E-02	4,37E-03	6,98E-07	6,85E+01	8,41E-01
	End of Life	1,50E-03	1,26E-03	2,23E-04	1,21E-05	2,34E-16	1,92E-06	9,01E-09	8,20E-07	8,26E-06	1,82E-06	7,85E-11	1,52E-02	1,47E-05
	Module D	-1,51E-01	-1,53E-01	2,65E-03	-9,67E-04	-4,58E-13	-9,23E-04	-5,03E-07	-1,68E-04	-1,79E-03	-5,28E-04	-2,97E-05	2,45E+00	-5,41E-02
2051520000	Total*	3,76E+00	3,72E+00	3,35E-02	1,15E-02	8,30E-11	8,78E-03	7,66E-06	1,94E-03	2,16E-02	5,04E-03	4,15E-05	7,47E+01	8,81E-01
	Manufacturing	3,55E-01	3,56E-01	-1,34E-03	3,57E-04	6,54E-12	1,42E-03	4,66E-07	1,78E-04	1,76E-03	6,55E-04	4,08E-05	6,12E+00	3,98E-02
	Distribution	4,34E-03	4,40E-03	-9,74E-05	4,53E-05	7,30E-16	6,81E-06	1,19E-08	2,77E-06	2,94E-05	6,07E-06	2,93E-10	5,64E-02	2,01E-05
	Installation	2,65E-04	1,89E-05	2,46E-04	1,02E-07	3,35E-17	8,51E-08	8,36E-10	4,01E-08	3,52E-07	1,24E-07	1,08E-12	2,55E-04	1,63E-05
	Use	3,40E+00	3,36E+00	3,45E-02	1,11E-02	7,65E-11	7,35E-03	7,18E-06	1,76E-03	1,98E-02	4,37E-03	6,98E-07	6,85E+01	8,41E-01
	End of Life	1,50E-03	1,27E-03	2,24E-04	1,21E-05	2,35E-16	1,92E-06	9,04E-09	8,23E-07	8,28E-06	1,82E-06	7,87E-11	1,52E-02	1,47E-05
	Module D	-1,51E-01	-1,53E-01	2,65E-03	-9,67E-04	-4,59E-13	-9,23E-04	-5,03E-07	-1,69E-04	-1,79E-03	-5,29E-04	-2,97E-05	2,45E+00	-5,41E-02
2674840000	Total*	3,76E+00	3,72E+00	3,35E-02	1,15E-02	8,30E-11	8,77E-03	7,67E-06	1,94E-03	2,16E-02	5,04E-03	4,15E-05	7,47E+01	8,80E-01
	Manufacturing	3,57E-01	3,58E-01	-1,33E-03	3,38E-04	6,51E-12	1,41E-03	4,71E-07	1,78E-04	1,76E-03	6,58E-04	4,08E-05	6,14E+00	3,90E-02
	Distribution	4,34E-03	4,39E-03	-9,72E-05	4,52E-05	7,29E-16	6,80E-06	1,18E-08	2,77E-06	2,94E-05	6,06E-06	2,92E-10	5,63E-02	2,01E-05
	Installation	2,65E-04	1,89E-05	2,46E-04	1,02E-07	3,35E-17	8,51E-08	8,36E-10	4,01E-08	3,52E-07	1,24E-07	1,08E-12	2,55E-04	1,63E-05
	Use	3,40E+00	3,36E+00	3,45E-02	1,11E-02	7,65E-11	7,35E-03	7,18E-06	1,76E-03	1,98E-02	4,37E-03	6,98E-07	6,85E+01	8,41E-01
	End of Life	1,50E-03	1,27E-03	2,23E-04	1,21E-05	2,35E-16	1,92E-06	9,02E-09	8,21E-07	8,27E-06	1,82E-06	7,85E-11	1,52E-02	1,47E-05
	Module D	-1,54E-01	-1,56E-01	2,66E-03	-9,63E-04	-4,64E-13	-9,25E-04	-5,05E-07	-1,70E-04	-1,80E-03	-5,34E-04	-2,95E-05	2,50E+00	-5,42E-02
2674850000	Total*	3,77E+00	3,72E+00	3,35E-02	1,15E-02	8,30E-11	8,77E-03	7,67E-06	1,95E-03	2,16E-02	5,04E-03	4,15E-05	7,47E+01	8,80E-01
	Manufacturing	3,58E-01	3,59E-01	-1,33E-03	3,40E-04	6,51E-12	1,41E-03	4,73E-07	1,79E-04	1,76E-03	6,60E-04	4,08E-05	6,16E+00	3,90E-02
	Distribution	4,34E-03	4,40E-03	-9,74E-05	4,53E-05	7,30E-16	6,81E-06	1,19E-08	2,77E-06	2,94E-05	6,07E-06	2,93E-10	5,64E-02	2,01E-05
	Installation	2,65E-04	1,89E-05	2,46E-04	1,02E-07	3,35E-17	8,51E-08	8,36E-10	4,01E-08	3,52E-07	1,24E-07	1,08E-12	2,55E-04	1,63E-05
	Use	3,40E+00	3,36E+00	3,45E-02	1,11E-02	7,65E-11	7,35E-03	7,18E-06	1,76E-03	1,98E-02	4,37E-03	6,98E-07	6,85E+01	8,41E-01
	End of Life	1,50E-03	1,27E-03	2,24E-04	1,21E-05	2,35E-16	1,92E-06	9,04E-09	8,23E-07	8,28E-06	1,82E-06	7,87E-11	1,52E-02	1,47E-05
	Module D	-1,55E-01	-1,56E-01	2,66E-03	-9,63E-04	-4,64E-13	-9,25E-04	-5,05E-07	-1,70E-04	-1,81E-03	-5,35E-04	-2,95E-05	2,51E+00	-5,42E-02

2799180000	Total*	3,76E+00	3,72E+00	3,35E-02	1,15E-02	8,30E-11	8,77E-03	7,67E-06	1,94E-03	2,16E-02	5,04E-03	4,15E-05	7,47E+01	8,80E-01
	Manufacturing	3,56E-01	3,57E-01	-1,33E-03	3,38E-04	6,51E-12	1,41E-03	4,71E-07	1,78E-04	1,76E-03	6,58E-04	4,08E-05	6,14E+00	3,90E-02
	Distribution	4,33E-03	4,38E-03	-9,72E-05	4,52E-05	7,28E-16	6,79E-06	1,18E-08	2,77E-06	2,94E-05	6,05E-06	2,92E-10	5,62E-02	2,01E-05
	Installation	2,65E-04	1,89E-05	2,46E-04	1,02E-07	3,35E-17	8,51E-08	8,36E-10	4,01E-08	3,52E-07	1,24E-07	1,08E-12	2,55E-04	1,63E-05
	Use	3,40E+00	3,36E+00	3,45E-02	1,11E-02	7,65E-11	7,35E-03	7,18E-06	1,76E-03	1,98E-02	4,37E-03	6,98E-07	6,85E+01	8,41E-01
	End of Life	1,50E-03	1,26E-03	2,23E-04	1,21E-05	2,34E-16	1,92E-06	9,01E-09	8,20E-07	8,26E-06	1,82E-06	7,85E-11	1,52E-02	1,47E-05
	Module D	-1,54E-01	-1,56E-01	2,66E-03	-9,63E-04	-4,63E-13	-9,24E-04	-5,05E-07	-1,70E-04	-1,80E-03	-5,34E-04	-2,95E-05	-	2,50E+00
2881450000 2881460000 2881480000 2881470000	Total*	5,41E+00	5,35E+00	4,78E-02	1,62E-02	1,19E-10	1,29E-02	1,09E-05	2,80E-03	3,09E-02	7,32E-03	7,78E-05	1,07E+02	1,25E+00
	Manufacturing	6,31E-01	6,32E-01	-1,16E-03	6,02E-04	1,22E-11	2,58E-03	8,16E-07	3,16E-04	3,12E-03	1,17E-03	7,68E-05	1,08E+01	7,13E-02
	Distribution	7,58E-03	7,67E-03	-1,70E-04	7,90E-05	1,27E-15	1,19E-05	2,07E-08	4,84E-06	5,14E-05	1,06E-05	5,11E-10	9,84E-02	3,51E-05
	Installation	2,97E-04	2,13E-05	2,76E-04	1,14E-07	3,77E-17	9,56E-08	9,39E-10	4,51E-08	3,95E-07	1,39E-07	1,22E-12	2,86E-04	1,83E-05
	Use	4,77E+00	4,71E+00	4,84E-02	1,55E-02	1,07E-10	1,03E-02	1,01E-05	2,47E-03	2,77E-02	6,14E-03	9,79E-07	9,61E+01	1,18E+00
	End of Life	2,69E-03	2,27E-03	4,00E-04	2,16E-05	4,21E-16	3,45E-06	1,62E-08	1,47E-06	1,48E-05	3,26E-06	1,41E-10	2,73E-02	2,64E-05
	Module D	-2,80E-01	-2,82E-01	3,68E-03	-1,81E-03	-8,56E-13	-1,72E-03	-9,29E-07	-3,12E-04	-3,31E-03	-9,80E-04	-5,59E-05	-	4,53E+00
2881500000 2881510000 2881520000 2881530000	Total*	5,42E+00	5,36E+00	4,78E-02	1,62E-02	1,19E-10	1,29E-02	1,09E-05	2,80E-03	3,09E-02	7,33E-03	7,78E-05	1,07E+02	1,25E+00
	Manufacturing	6,37E-01	6,38E-01	-1,14E-03	6,04E-04	1,22E-11	2,59E-03	8,24E-07	3,18E-04	3,14E-03	1,18E-03	7,68E-05	1,09E+01	7,13E-02
	Distribution	7,58E-03	7,67E-03	-1,70E-04	7,90E-05	1,27E-15	1,19E-05	2,07E-08	4,84E-06	5,14E-05	1,06E-05	5,11E-10	9,84E-02	3,51E-05
	Installation	2,97E-04	2,13E-05	2,76E-04	1,14E-07	3,77E-17	9,56E-08	9,39E-10	4,51E-08	3,95E-07	1,39E-07	1,22E-12	2,86E-04	1,83E-05
	Use	4,77E+00	4,71E+00	4,84E-02	1,55E-02	1,07E-10	1,03E-02	1,01E-05	2,47E-03	2,77E-02	6,14E-03	9,79E-07	9,61E+01	1,18E+00
	End of Life	2,69E-03	2,27E-03	4,00E-04	2,16E-05	4,21E-16	3,45E-06	1,62E-08	1,47E-06	1,48E-05	3,26E-06	1,41E-10	2,73E-02	2,64E-05
	Module D	-2,83E-01	-2,85E-01	3,68E-03	-1,81E-03	-8,61E-13	-1,72E-03	-9,31E-07	-3,13E-04	-3,33E-03	-9,86E-04	-5,58E-05	-	4,58E+00
2847200000	Total*	1,97E+00	1,95E+00	1,70E-02	6,08E-03	4,26E-11	4,37E-03	4,06E-06	1,02E-03	1,13E-02	2,61E-03	9,56E-06	3,93E+01	4,62E-01
	Manufacturing	1,45E-01	1,47E-01	-1,76E-03	1,21E-04	1,60E-12	4,33E-04	2,01E-07	7,20E-05	7,02E-04	2,62E-04	9,18E-06	2,60E+00	1,15E-02
	Distribution	1,99E-03	2,02E-03	-4,47E-05	2,08E-05	3,35E-16	3,12E-06	5,44E-09	1,27E-06	1,35E-05	2,78E-06	1,34E-10	2,58E-02	9,22E-06
	Installation	2,84E-04	2,03E-05	2,63E-04	1,09E-07	3,59E-17	9,13E-08	8,96E-10	4,30E-08	3,77E-07	1,33E-07	1,16E-12	2,73E-04	1,75E-05
	Use	1,82E+00	1,80E+00	1,85E-02	5,93E-03	4,10E-11	3,94E-03	3,84E-06	9,44E-04	1,06E-02	2,34E-03	3,74E-07	3,67E+01	4,51E-01
	End of Life	6,22E-04	5,24E-04	9,24E-05	5,00E-06	9,72E-17	7,95E-07	3,74E-09	3,40E-07	3,42E-06	7,52E-07	3,25E-11	6,30E-03	6,10E-06
	Module D	-6,38E-02	-6,56E-02	2,05E-03	-2,31E-04	-1,65E-13	-2,67E-04	-1,62E-07	-5,98E-05	-6,29E-04	-1,92E-04	-6,66E-06	-	1,11E+00
2847270000 2847210000 2847310000 2847220000 2847250000 2847300000 2847240000 2847230000 2847260000 2847280000	Total*	1,97E+00	1,95E+00	1,80E-02	6,07E-03	4,26E-11	4,37E-03	4,04E-06	1,02E-03	1,13E-02	2,60E-03	9,56E-06	3,93E+01	4,62E-01
	Manufacturing	1,46E-01	1,46E-01	-7,10E-04	1,15E-04	1,59E-12	4,28E-04	1,89E-07	6,96E-05	6,78E-04	2,56E-04	9,18E-06	2,59E+00	1,14E-02
	Distribution	1,83E-03	1,85E-03	-4,11E-05	1,91E-05	3,08E-16	2,87E-06	5,00E-09	1,17E-06	1,24E-05	2,56E-06	1,23E-10	2,38E-02	8,49E-06
	Installation	1,42E-04	1,02E-05	1,32E-04	5,45E-08	1,80E-17	4,56E-08	4,48E-10	2,15E-08	1,88E-07	6,63E-08	5,81E-13	1,36E-04	8,74E-06
	Use	1,82E+00	1,80E+00	1,85E-02	5,93E-03	4,10E-11	3,94E-03	3,84E-06	9,44E-04	1,06E-02	2,34E-03	3,74E-07	3,67E+01	4,51E-01
	End of Life	6,22E-04	5,24E-04	9,24E-05	5,00E-06	9,72E-17	7,95E-07	3,74E-09	3,40E-07	3,42E-06	7,52E-07	3,25E-11	6,30E-03	6,10E-06
	Module D	-6,42E-02	-6,51E-02	1,17E-03	-2,28E-04	-1,63E-13	-2,66E-04	-1,53E-07	-5,91E-05	-6,22E-04	-1,90E-04	-6,66E-06	-	1,10E+00
2847320000	Total*	1,97E+00	1,95E+00	1,80E-02	6,07E-03	4,26E-11	4,37E-03	4,05E-06	1,02E-03	1,13E-02	2,61E-03	9,56E-06	3,94E+01	4,62E-01
	Manufacturing	1,48E-01	1,49E-01	-7,01E-04	1,16E-04	1,60E-12	4,31E-04	1,92E-07	7,06E-05	6,87E-04	2,60E-04	9,18E-06	2,63E+00	1,15E-02
	Distribution	1,85E-03	1,88E-03	-4,16E-05	1,93E-05	3,12E-16	2,91E-06	5,06E-09	1,18E-06	1,26E-05	2,59E-06	1,25E-10	2,41E-02	8,59E-06

	Installation	1,42E-04	1,02E-05	1,32E-04	5,45E-08	1,80E-17	4,56E-08	4,48E-10	2,15E-08	1,88E-07	6,63E-08	5,81E-13	1,36E-04	8,74E-06
	Use	1,82E+00	1,80E+00	1,85E-02	5,93E-03	4,10E-11	3,94E-03	3,84E-06	9,44E-04	1,06E-02	2,34E-03	3,74E-07	3,67E+01	4,51E-01
	End of Life	6,30E-04	5,31E-04	9,36E-05	5,06E-06	9,84E-17	8,06E-07	3,78E-09	3,45E-07	3,47E-06	7,62E-07	3,29E-11	6,38E-03	6,18E-06
	Module D	-6,52E-02	-6,61E-02	1,17E-03	-2,28E-04	-1,65E-13	-2,68E-04	-1,54E-07	-5,98E-05	-6,29E-04	-1,93E-04	-6,66E-06	1,12E+00	-1,60E-02
2847290000	Total*	1,97E+00	1,95E+00	1,80E-02	6,08E-03	4,26E-11	4,37E-03	4,05E-06	1,02E-03	1,13E-02	2,61E-03	9,56E-06	3,94E+01	4,62E-01
	Manufacturing	1,48E-01	1,49E-01	-7,01E-04	1,16E-04	1,60E-12	4,32E-04	1,93E-07	7,07E-05	6,88E-04	2,60E-04	9,18E-06	2,64E+00	1,15E-02
	Distribution	1,86E-03	1,88E-03	-4,17E-05	1,94E-05	3,13E-16	2,91E-06	5,08E-09	1,19E-06	1,26E-05	2,60E-06	1,25E-10	2,41E-02	8,61E-06
	Installation	1,42E-04	1,02E-05	1,32E-04	5,45E-08	1,80E-17	4,56E-08	4,48E-10	2,15E-08	1,88E-07	6,63E-08	5,81E-13	1,36E-04	8,74E-06
	Use	1,82E+00	1,80E+00	1,85E-02	5,93E-03	4,10E-11	3,94E-03	3,84E-06	9,44E-04	1,06E-02	2,34E-03	3,74E-07	3,67E+01	4,51E-01
	End of Life	6,32E-04	5,33E-04	9,39E-05	5,08E-06	9,87E-17	8,08E-07	3,80E-09	3,46E-07	3,48E-06	7,65E-07	3,30E-11	6,40E-03	6,19E-06
	Module D	-6,55E-02	-6,64E-02	1,17E-03	-2,28E-04	-1,65E-13	-2,68E-04	-1,55E-07	-5,99E-05	-6,31E-04	-1,93E-04	-6,66E-06	1,12E+00	-1,60E-02
2847710000 2871930000 2871970000 2871880000 2871910000 2871960000 2871920000 2871940000 2871950000	Total*	2,53E+00	2,50E+00	2,12E-02	7,69E-03	5,58E-11	5,94E-03	5,16E-06	1,31E-03	1,45E-02	3,41E-03	3,05E-05	5,01E+01	5,90E-01
	Manufacturing	2,56E-01	2,58E-01	-2,20E-03	2,65E-04	4,79E-12	1,03E-03	3,58E-07	1,34E-04	1,33E-03	4,85E-04	3,01E-05	4,40E+00	2,90E-02
	Distribution	3,40E-03	3,44E-03	-7,63E-05	3,55E-05	5,72E-16	5,33E-06	9,29E-09	2,17E-06	2,31E-05	4,75E-06	2,29E-10	4,42E-02	1,58E-05
	Installation	3,69E-04	2,64E-05	3,43E-04	1,42E-07	4,68E-17	1,19E-07	1,17E-09	5,60E-08	4,91E-07	1,73E-07	1,51E-12	3,55E-04	2,27E-05
	Use	2,27E+00	2,24E+00	2,30E-02	7,38E-03	5,10E-11	4,90E-03	4,78E-06	1,18E-03	1,32E-02	2,92E-03	4,65E-07	4,57E+01	5,61E-01
	End of Life	1,11E-03	9,36E-04	1,65E-04	8,92E-06	1,73E-16	1,42E-06	6,67E-09	6,07E-07	6,11E-06	1,34E-06	5,81E-11	1,13E-02	1,09E-05
	Module D	-1,07E-01	-1,09E-01	3,02E-03	-7,16E-04	-3,35E-13	-6,71E-04	-3,78E-07	-1,22E-04	-1,29E-03	-3,81E-04	-2,19E-05	1,75E+00	-3,90E-02
2871870000	Total*	2,53E+00	2,50E+00	2,12E-02	7,70E-03	5,58E-11	5,94E-03	5,16E-06	1,31E-03	1,45E-02	3,41E-03	3,05E-05	5,01E+01	5,90E-01
	Manufacturing	2,57E-01	2,59E-01	-2,19E-03	2,66E-04	4,80E-12	1,04E-03	3,59E-07	1,34E-04	1,33E-03	4,87E-04	3,01E-05	4,42E+00	2,90E-02
	Distribution	3,42E-03	3,46E-03	-7,66E-05	3,56E-05	5,74E-16	5,35E-06	9,33E-09	2,18E-06	2,32E-05	4,77E-06	2,30E-10	4,43E-02	1,58E-05
	Installation	3,69E-04	2,64E-05	3,43E-04	1,42E-07	4,68E-17	1,19E-07	1,17E-09	5,60E-08	4,91E-07	1,73E-07	1,51E-12	3,55E-04	2,27E-05
	Use	2,27E+00	2,24E+00	2,30E-02	7,38E-03	5,10E-11	4,90E-03	4,78E-06	1,18E-03	1,32E-02	2,92E-03	4,65E-07	4,57E+01	5,61E-01
	End of Life	1,12E-03	9,40E-04	1,66E-04	8,96E-06	1,74E-16	1,43E-06	6,70E-09	6,10E-07	6,14E-06	1,35E-06	5,83E-11	1,13E-02	1,09E-05
	Module D	-1,08E-01	-1,10E-01	3,02E-03	-7,16E-04	-3,36E-13	-6,73E-04	-3,78E-07	-1,22E-04	-1,30E-03	-3,83E-04	-2,19E-05	1,76E+00	-3,91E-02
2871980000	Total*	2,53E+00	2,50E+00	2,12E-02	7,69E-03	5,58E-11	5,94E-03	5,16E-06	1,31E-03	1,45E-02	3,41E-03	3,05E-05	5,01E+01	5,90E-01
	Manufacturing	2,57E-01	2,59E-01	-2,19E-03	2,65E-04	4,79E-12	1,03E-03	3,59E-07	1,34E-04	1,33E-03	4,86E-04	3,01E-05	4,41E+00	2,90E-02
	Distribution	3,42E-03	3,46E-03	-7,67E-05	3,56E-05	5,75E-16	5,36E-06	9,33E-09	2,18E-06	2,32E-05	4,77E-06	2,30E-10	4,44E-02	1,58E-05
	Installation	3,69E-04	2,64E-05	3,43E-04	1,42E-07	4,68E-17	1,19E-07	1,17E-09	5,60E-08	4,91E-07	1,73E-07	1,51E-12	3,55E-04	2,27E-05
	Use	2,27E+00	2,24E+00	2,30E-02	7,38E-03	5,10E-11	4,90E-03	4,78E-06	1,18E-03	1,32E-02	2,92E-03	4,65E-07	4,57E+01	5,61E-01
	End of Life	1,12E-03	9,41E-04	1,66E-04	8,97E-06	1,74E-16	1,43E-06	6,71E-09	6,11E-07	6,15E-06	1,35E-06	5,84E-11	1,13E-02	1,09E-05
	Module D	-1,08E-01	-1,10E-01	3,02E-03	-7,16E-04	-3,36E-13	-6,73E-04	-3,78E-07	-1,23E-04	-1,30E-03	-3,83E-04	-2,19E-05	1,76E+00	-3,91E-02
2871900000	Total*	2,53E+00	2,50E+00	2,12E-02	7,69E-03	5,58E-11	5,94E-03	5,16E-06	1,31E-03	1,45E-02	3,41E-03	3,05E-05	5,01E+01	5,90E-01
	Manufacturing	2,56E-01	2,58E-01	-2,19E-03	2,65E-04	4,79E-12	1,03E-03	3,58E-07	1,34E-04	1,33E-03	4,85E-04	3,01E-05	4,40E+00	2,90E-02
	Distribution	3,40E-03	3,45E-03	-7,64E-05	3,55E-05	5,72E-16	5,34E-06	9,30E-09	2,17E-06	2,31E-05	4,76E-06	2,29E-10	4,42E-02	1,58E-05
	Installation	3,69E-04	2,64E-05	3,43E-04	1,42E-07	4,68E-17	1,19E-07	1,17E-09	5,60E-08	4,91E-07	1,73E-07	1,51E-12	3,55E-04	2,27E-05
	Use	2,27E+00	2,24E+00	2,30E-02	7,38E-03	5,10E-11	4,90E-03	4,78E-06	1,18E-03	1,32E-02	2,92E-03	4,65E-07	4,57E+01	5,61E-01
	End of Life	1,11E-03	9,37E-04	1,65E-04	8,93E-06	1,74E-16	1,42E-06	6,68E-09	6,08E-07	6,12E-06	1,34E-06	5,81E-11	1,13E-02	1,09E-05

	Module D	-1,07E-01	-1,09E-01	3,02E-03	-7,16E-04	-3,35E-13	-6,72E-04	-3,78E-07	-1,22E-04	-1,30E-03	-3,82E-04	-2,19E-05	1,75E+00	-3,90E-02
2871890000	Total*	2,53E+00	2,50E+00	2,12E-02	7,69E-03	5,58E-11	5,94E-03	5,16E-06	1,31E-03	1,45E-02	3,41E-03	3,05E-05	5,01E+01	5,90E-01
	Manufacturing	2,56E-01	2,58E-01	-2,19E-03	2,65E-04	4,79E-12	1,03E-03	3,59E-07	1,34E-04	1,33E-03	4,86E-04	3,01E-05	4,41E+00	2,90E-02
	Distribution	3,41E-03	3,45E-03	-7,64E-05	3,55E-05	5,73E-16	5,34E-06	9,30E-09	2,18E-06	2,31E-05	4,76E-06	2,30E-10	4,42E-02	1,58E-05
	Installation	3,69E-04	2,64E-05	3,43E-04	1,42E-07	4,68E-17	1,19E-07	1,17E-09	5,60E-08	4,91E-07	1,73E-07	1,51E-12	3,55E-04	2,27E-05
	Use	2,27E+00	2,24E+00	2,30E-02	7,38E-03	5,10E-11	4,90E-03	4,78E-06	1,18E-03	1,32E-02	2,92E-03	4,65E-07	4,57E+01	5,61E-01
	End of Life	1,11E-03	9,38E-04	1,65E-04	8,94E-06	1,74E-16	1,42E-06	6,68E-09	6,08E-07	6,13E-06	1,35E-06	5,82E-11	1,13E-02	1,09E-05
	Module D	-1,07E-01	-1,10E-01	3,02E-03	-7,16E-04	-3,35E-13	-6,72E-04	-3,78E-07	-1,22E-04	-1,30E-03	-3,82E-04	-2,19E-05	1,75E+00	-3,90E-02
2847620000	Total*	2,17E+00	2,14E+00	1,61E-02	6,05E-03	4,62E-11	5,63E-03	4,18E-06	1,20E-03	1,32E-02	3,27E-03	5,03E-05	4,20E+01	4,84E-01
	Manufacturing	4,58E-01	4,59E-01	-1,60E-03	4,32E-04	7,95E-12	1,94E-03	5,66E-07	3,15E-04	3,23E-03	1,07E-03	5,00E-05	7,71E+00	6,33E-02
	Distribution	5,83E-03	5,90E-03	-1,31E-04	6,08E-05	9,80E-16	9,14E-06	1,59E-08	3,72E-06	3,95E-05	8,14E-06	3,93E-10	7,57E-02	2,70E-05
	Installation	3,39E-04	2,43E-05	3,15E-04	1,30E-07	4,30E-17	1,09E-07	1,07E-09	5,15E-08	4,51E-07	1,59E-07	1,39E-12	3,26E-04	2,09E-05
	Use	1,70E+00	1,68E+00	1,72E-02	5,54E-03	3,82E-11	3,68E-03	3,59E-06	8,81E-04	9,88E-03	2,19E-03	3,49E-07	3,42E+01	4,21E-01
	End of Life	2,02E-03	1,71E-03	3,01E-04	1,63E-05	3,16E-16	2,59E-06	1,22E-08	1,11E-06	1,11E-05	2,45E-06	1,06E-10	2,05E-02	1,99E-05
	Module D	-1,64E-01	-1,66E-01	2,62E-03	-8,29E-04	-4,61E-13	-8,43E-04	-4,71E-07	-1,67E-04	-1,77E-03	-5,31E-04	-2,51E-05	2,74E+00	-4,92E-02
2938210000	Total*	2,17E+00	2,15E+00	1,41E-02	6,06E-03	4,62E-11	5,62E-03	4,21E-06	1,20E-03	1,32E-02	3,27E-03	5,03E-05	4,21E+01	4,84E-01
	Manufacturing	4,56E-01	4,60E-01	-3,97E-03	4,41E-04	7,95E-12	1,93E-03	5,91E-07	3,14E-04	3,22E-03	1,07E-03	5,00E-05	7,72E+00	6,35E-02
	Distribution	6,19E-03	6,26E-03	-1,39E-04	6,45E-05	1,04E-15	9,70E-06	1,69E-08	3,95E-06	4,20E-05	8,65E-06	4,17E-10	8,03E-02	2,87E-05
	Installation	6,61E-04	4,73E-05	6,14E-04	2,54E-07	8,38E-17	2,13E-07	2,09E-09	1,00E-07	8,79E-07	3,09E-07	2,71E-12	6,36E-04	4,07E-05
	Use	1,70E+00	1,68E+00	1,72E-02	5,54E-03	3,82E-11	3,68E-03	3,59E-06	8,81E-04	9,88E-03	2,19E-03	3,49E-07	3,42E+01	4,21E-01
	End of Life	2,02E-03	1,71E-03	3,01E-04	1,63E-05	3,16E-16	2,59E-06	1,22E-08	1,11E-06	1,11E-05	2,45E-06	1,06E-10	2,05E-02	1,99E-05
	Module D	-1,63E-01	-1,67E-01	4,58E-03	-8,37E-04	-4,65E-13	-8,47E-04	-4,91E-07	-1,69E-04	-1,78E-03	-5,34E-04	-2,51E-05	2,75E+00	-4,93E-02
2847630000	Total*	2,18E+00	2,16E+00	1,41E-02	6,08E-03	4,66E-11	5,70E-03	4,23E-06	1,21E-03	1,32E-02	3,30E-03	5,31E-05	4,22E+01	4,87E-01
	Manufacturing	4,68E-01	4,72E-01	-3,97E-03	4,62E-04	8,36E-12	2,01E-03	6,05E-07	3,22E-04	3,31E-03	1,10E-03	5,27E-05	7,90E+00	6,63E-02
	Distribution	6,34E-03	6,41E-03	-1,42E-04	6,61E-05	1,07E-15	9,93E-06	1,73E-08	4,05E-06	4,30E-05	8,85E-06	4,27E-10	8,22E-02	2,93E-05
	Installation	6,61E-04	4,73E-05	6,14E-04	2,54E-07	8,38E-17	2,13E-07	2,09E-09	1,00E-07	8,79E-07	3,09E-07	2,71E-12	6,36E-04	4,07E-05
	Use	1,70E+00	1,68E+00	1,72E-02	5,54E-03	3,82E-11	3,68E-03	3,59E-06	8,81E-04	9,88E-03	2,19E-03	3,49E-07	3,42E+01	4,21E-01
	End of Life	2,08E-03	1,75E-03	3,09E-04	1,67E-05	3,25E-16	2,66E-06	1,25E-08	1,14E-06	1,14E-05	2,52E-06	1,09E-10	2,11E-02	2,04E-05
	Module D	-1,65E-01	-1,69E-01	4,60E-03	-8,76E-04	-4,76E-13	-8,77E-04	-5,07E-07	-1,73E-04	-1,82E-03	-5,46E-04	-2,64E-05	2,78E+00	-5,10E-02
2847780000 2938220000	Total*	2,91E+00	2,88E+00	2,01E-02	8,13E-03	6,33E-11	7,76E-03	5,63E-06	1,62E-03	1,77E-02	4,42E-03	7,85E-05	5,63E+01	6,52E-01
	Manufacturing	6,27E-01	6,30E-01	-3,78E-03	6,34E-04	1,23E-11	2,85E-03	8,09E-07	4,36E-04	4,48E-03	1,49E-03	7,81E-05	1,05E+01	9,05E-02
	Distribution	8,27E-03	8,37E-03	-1,86E-04	8,63E-05	1,39E-15	1,30E-05	2,26E-08	5,28E-06	5,61E-05	1,16E-05	5,58E-10	1,07E-01	3,83E-05
	Installation	6,78E-04	4,85E-05	6,29E-04	2,60E-07	8,58E-17	2,18E-07	2,14E-09	1,03E-07	9,00E-07	3,17E-07	2,77E-12	6,52E-04	4,17E-05
	Use	2,27E+00	2,24E+00	2,30E-02	7,38E-03	5,10E-11	4,90E-03	4,78E-06	1,18E-03	1,32E-02	2,92E-03	4,65E-07	4,57E+01	5,61E-01
	End of Life	2,79E-03	2,35E-03	4,15E-04	2,24E-05	4,36E-16	3,57E-06	1,68E-08	1,53E-06	1,54E-05	3,38E-06	1,46E-10	2,83E-02	2,74E-05
	Module D	-2,27E-01	-2,31E-01	5,16E-03	-1,42E-03	-6,89E-13	-1,36E-03	-7,59E-07	-2,52E-04	-2,67E-03	-7,90E-04	-4,36E-05	3,72E+00	-7,90E-02
2847790000	Total*	2,92E+00	2,89E+00	2,01E-02	8,15E-03	6,37E-11	7,84E-03	5,65E-06	1,63E-03	1,78E-02	4,45E-03	8,13E-05	5,65E+01	6,54E-01
	Manufacturing	6,39E-01	6,42E-01	-3,77E-03	6,54E-04	1,27E-11	2,93E-03	8,23E-07	4,45E-04	4,58E-03	1,52E-03	8,08E-05	1,07E+01	9,34E-02

	Distribution	8,42E-03	8,52E-03	-1,89E-04	8,78E-05	1,42E-15	1,32E-05	2,30E-08	5,38E-06	5,71E-05	1,18E-05	5,67E-10	1,09E-01	3,90E-05
	Installation	6,78E-04	4,85E-05	6,29E-04	2,60E-07	8,58E-17	2,18E-07	2,14E-09	1,03E-07	9,00E-07	3,17E-07	2,77E-12	6,52E-04	4,17E-05
	Use	2,27E+00	2,24E+00	2,30E-02	7,38E-03	5,10E-11	4,90E-03	4,78E-06	1,18E-03	1,32E-02	2,92E-03	4,65E-07	4,57E+01	5,61E-01
	End of Life	2,85E-03	2,40E-03	4,23E-04	2,29E-05	4,45E-16	3,64E-06	1,71E-08	1,56E-06	1,57E-05	3,45E-06	1,49E-10	2,89E-02	2,79E-05
	Module D	-2,29E-01	-2,33E-01	5,19E-03	-1,46E-03	-7,00E-13	-1,39E-03	-7,74E-07	-2,55E-04	-2,71E-03	-8,02E-04	-4,48E-05	3,74E+00	-8,07E-02
2847330000	Total*	2,40E+00	2,38E+00	2,12E-02	7,36E-03	5,26E-11	5,52E-03	4,92E-06	1,24E-03	1,38E-02	3,21E-03	2,20E-05	4,78E+01	5,63E-01
	Manufacturing	2,14E-01	2,15E-01	-1,31E-03	2,02E-04	3,50E-12	7,89E-04	2,92E-07	1,08E-04	1,07E-03	3,95E-04	2,15E-05	3,71E+00	2,18E-02
	Distribution	2,65E-03	2,68E-03	-5,95E-05	2,76E-05	4,46E-16	4,16E-06	7,24E-09	1,69E-06	1,80E-05	3,70E-06	1,79E-10	3,44E-02	1,23E-05
	Installation	2,47E-04	1,77E-05	2,30E-04	9,51E-08	3,13E-17	7,96E-08	7,82E-10	3,75E-08	3,29E-07	1,16E-07	1,01E-12	2,38E-04	1,52E-05
	Use	2,19E+00	2,16E+00	2,22E-02	7,12E-03	4,92E-11	4,73E-03	4,61E-06	1,13E-03	1,27E-02	2,81E-03	4,49E-07	4,40E+01	5,41E-01
	End of Life	8,82E-04	7,44E-04	1,31E-04	7,09E-06	1,38E-16	1,13E-06	5,30E-09	4,83E-07	4,86E-06	1,07E-06	4,61E-11	8,94E-03	8,65E-06
	Module D	-9,57E-02	-9,73E-02	2,08E-03	-5,20E-04	-2,76E-13	-5,19E-04	-2,91E-07	-1,00E-04	-1,06E-03	-3,18E-04	-1,57E-05	1,59E+00	-3,04E-02
2847400000 2847340000 2847440000 2847350000 2847380000 2847430000 2847370000 2847360000 2847390000 2847410000 2847420000	Total*	2,40E+00	2,37E+00	2,12E-02	7,36E-03	5,26E-11	5,52E-03	4,92E-06	1,24E-03	1,38E-02	3,21E-03	2,20E-05	4,78E+01	5,63E-01
	Manufacturing	2,13E-01	2,14E-01	-1,32E-03	2,02E-04	3,50E-12	7,87E-04	2,91E-07	1,08E-04	1,07E-03	3,93E-04	2,15E-05	3,69E+00	2,18E-02
	Distribution	2,64E-03	2,67E-03	-5,92E-05	2,75E-05	4,44E-16	4,14E-06	7,21E-09	1,69E-06	1,79E-05	3,69E-06	1,78E-10	3,43E-02	1,22E-05
	Installation	2,47E-04	1,77E-05	2,30E-04	9,51E-08	3,13E-17	7,96E-08	7,82E-10	3,75E-08	3,29E-07	1,16E-07	1,01E-12	2,38E-04	1,52E-05
	Use	2,19E+00	2,16E+00	2,22E-02	7,12E-03	4,92E-11	4,73E-03	4,61E-06	1,13E-03	1,27E-02	2,81E-03	4,49E-07	4,40E+01	5,41E-01
	End of Life	8,78E-04	7,40E-04	1,31E-04	7,05E-06	1,37E-16	1,12E-06	5,28E-09	4,80E-07	4,84E-06	1,06E-06	4,59E-11	8,90E-03	8,61E-06
	Module D	-9,52E-02	-9,68E-02	2,08E-03	-5,19E-04	-2,75E-13	-5,18E-04	-2,91E-07	-1,00E-04	-1,06E-03	-3,16E-04	-1,57E-05	1,58E+00	-3,04E-02
2847450000	Total*	2,40E+00	2,37E+00	2,12E-02	7,36E-03	5,26E-11	5,52E-03	4,92E-06	1,24E-03	1,38E-02	3,21E-03	2,20E-05	4,77E+01	5,63E-01
	Manufacturing	2,12E-01	2,14E-01	-1,32E-03	2,02E-04	3,49E-12	7,86E-04	2,90E-07	1,08E-04	1,06E-03	3,93E-04	2,15E-05	3,68E+00	2,18E-02
	Distribution	2,63E-03	2,66E-03	-5,90E-05	2,74E-05	4,43E-16	4,13E-06	7,19E-09	1,68E-06	1,78E-05	3,68E-06	1,77E-10	3,42E-02	1,22E-05
	Installation	2,47E-04	1,77E-05	2,30E-04	9,51E-08	3,13E-17	7,96E-08	7,82E-10	3,75E-08	3,29E-07	1,16E-07	1,01E-12	2,38E-04	1,52E-05
	Use	2,19E+00	2,16E+00	2,22E-02	7,12E-03	4,92E-11	4,73E-03	4,61E-06	1,13E-03	1,27E-02	2,81E-03	4,49E-07	4,40E+01	5,41E-01
	End of Life	8,75E-04	7,38E-04	1,30E-04	7,03E-06	1,37E-16	1,12E-06	5,26E-09	4,79E-07	4,82E-06	1,06E-06	4,58E-11	8,87E-03	8,58E-06
	Module D	-9,48E-02	-9,64E-02	2,08E-03	-5,19E-04	-2,74E-13	-5,17E-04	-2,90E-07	-9,99E-05	-1,06E-03	-3,16E-04	-1,57E-05	1,57E+00	-3,03E-02
2847720000	Total*	3,05E+00	3,01E+00	2,68E-02	9,29E-03	6,66E-11	7,03E-03	6,22E-06	1,57E-03	1,75E-02	4,08E-03	2,98E-05	6,05E+01	7,10E-01
	Manufacturing	2,87E-01	2,88E-01	-1,49E-03	2,72E-04	4,75E-12	1,07E-03	3,89E-07	1,45E-04	1,43E-03	5,29E-04	2,92E-05	4,96E+00	2,90E-02
	Distribution	3,55E-03	3,59E-03	-7,96E-05	3,70E-05	5,97E-16	5,56E-06	9,70E-09	2,27E-06	2,41E-05	4,96E-06	2,39E-10	4,61E-02	1,64E-05
	Installation	2,91E-04	2,08E-05	2,70E-04	1,12E-07	3,69E-17	9,36E-08	9,20E-10	4,41E-08	3,87E-07	1,36E-07	1,19E-12	2,80E-04	1,79E-05
	Use	2,75E+00	2,72E+00	2,79E-02	8,97E-03	6,19E-11	5,95E-03	5,81E-06	1,43E-03	1,60E-02	3,54E-03	5,65E-07	5,54E+01	6,81E-01
	End of Life	1,20E-03	1,01E-03	1,78E-04	9,63E-06	1,87E-16	1,53E-06	7,20E-09	6,55E-07	6,60E-06	1,45E-06	6,27E-11	1,21E-02	1,17E-05
	Module D	-1,29E-01	-1,31E-01	2,55E-03	-7,05E-04	-3,70E-13	-7,05E-04	-3,92E-07	-1,36E-04	-1,44E-03	-4,29E-04	-2,14E-05	2,13E+00	-4,16E-02
2872050000 2872090000 2872000000 2872030000 2872080000 2872020000 2872010000 2872040000	Total*	3,04E+00	3,01E+00	2,68E-02	9,28E-03	6,66E-11	7,02E-03	6,21E-06	1,57E-03	1,74E-02	4,07E-03	2,98E-05	6,04E+01	7,10E-01
	Manufacturing	2,83E-01	2,84E-01	-1,50E-03	2,71E-04	4,74E-12	1,06E-03	3,84E-07	1,43E-04	1,41E-03	5,23E-04	2,92E-05	4,89E+00	2,89E-02
	Distribution	3,51E-03	3,55E-03	-7,87E-05	3,66E-05	5,90E-16	5,50E-06	9,58E-09	2,24E-06	2,38E-05	4,90E-06	2,36E-10	4,56E-02	1,63E-05
	Installation	2,91E-04	2,08E-05	2,70E-04	1,12E-07	3,69E-17	9,36E-08	9,20E-10	4,41E-08	3,87E-07	1,36E-07	1,19E-12	2,80E-04	1,79E-05
	Use	2,75E+00	2,72E+00	2,79E-02	8,97E-03	6,19E-11	5,95E-03	5,81E-06	1,43E-03	1,60E-02	3,54E-03	5,65E-07	5,54E+01	6,81E-01

2872060000 2872070000	End of Life	1,18E-03	9,97E-04	1,76E-04	9,50E-06	1,85E-16	1,51E-06	7,11E-09	6,47E-07	6,51E-06	1,43E-06	6,19E-11	1,20E-02	1,16E-05
	Module D	-1,27E-01	-1,29E-01	2,55E-03	-7,04E-04	-3,66E-13	-7,02E-04	-3,89E-07	-1,34E-04	-1,42E-03	-4,24E-04	-2,14E-05	2,09E+00	-4,14E-02
2871990000	Total*	3,05E+00	3,01E+00	2,68E-02	9,29E-03	6,66E-11	7,03E-03	6,22E-06	1,58E-03	1,75E-02	4,08E-03	2,98E-05	6,05E+01	7,10E-01
	Manufacturing	2,88E-01	2,89E-01	-1,48E-03	2,73E-04	4,75E-12	1,07E-03	3,90E-07	1,45E-04	1,43E-03	5,31E-04	2,92E-05	4,98E+00	2,90E-02
	Distribution	3,56E-03	3,61E-03	-7,99E-05	3,72E-05	5,99E-16	5,59E-06	9,73E-09	2,28E-06	2,42E-05	4,98E-06	2,40E-10	4,63E-02	1,65E-05
	Installation	2,91E-04	2,08E-05	2,70E-04	1,12E-07	3,69E-17	9,36E-08	9,20E-10	4,41E-08	3,87E-07	1,36E-07	1,19E-12	2,80E-04	1,79E-05
	Use	2,75E+00	2,72E+00	2,79E-02	8,97E-03	6,19E-11	5,95E-03	5,81E-06	1,43E-03	1,60E-02	3,54E-03	5,65E-07	5,54E+01	6,81E-01
	End of Life	1,20E-03	1,01E-03	1,79E-04	9,67E-06	1,88E-16	1,54E-06	7,23E-09	6,58E-07	6,63E-06	1,46E-06	6,29E-11	1,22E-02	1,18E-05
	Module D	-1,29E-01	-1,31E-01	2,55E-03	-7,05E-04	-3,71E-13	-7,06E-04	-3,92E-07	-1,36E-04	-1,44E-03	-4,30E-04	-2,14E-05	2,14E+00	-4,17E-02
2872100000	Total*	3,04E+00	3,01E+00	2,68E-02	9,29E-03	6,66E-11	7,02E-03	6,21E-06	1,57E-03	1,74E-02	4,07E-03	2,98E-05	6,04E+01	7,10E-01
	Manufacturing	2,84E-01	2,85E-01	-1,50E-03	2,71E-04	4,74E-12	1,06E-03	3,85E-07	1,44E-04	1,42E-03	5,24E-04	2,92E-05	4,91E+00	2,90E-02
	Distribution	3,53E-03	3,58E-03	-7,93E-05	3,68E-05	5,94E-16	5,54E-06	9,65E-09	2,26E-06	2,40E-05	4,94E-06	2,38E-10	4,59E-02	1,64E-05
	Installation	2,91E-04	2,08E-05	2,70E-04	1,12E-07	3,69E-17	9,36E-08	9,20E-10	4,41E-08	3,87E-07	1,36E-07	1,19E-12	2,80E-04	1,79E-05
	Use	2,75E+00	2,72E+00	2,79E-02	8,97E-03	6,19E-11	5,95E-03	5,81E-06	1,43E-03	1,60E-02	3,54E-03	5,65E-07	5,54E+01	6,81E-01
	End of Life	1,19E-03	1,01E-03	1,77E-04	9,58E-06	1,86E-16	1,52E-06	7,16E-09	6,52E-07	6,56E-06	1,44E-06	6,23E-11	1,21E-02	1,17E-05
	Module D	-1,28E-01	-1,30E-01	2,55E-03	-7,05E-04	-3,68E-13	-7,04E-04	-3,91E-07	-1,35E-04	-1,43E-03	-4,27E-04	-2,14E-05	2,11E+00	-4,15E-02
2847460000	Total*	2,69E+00	2,66E+00	2,37E-02	8,18E-03	5,82E-11	6,12E-03	5,49E-06	1,39E-03	1,54E-02	3,59E-03	2,21E-05	5,35E+01	6,24E-01
	Manufacturing	2,57E-01	2,58E-01	-1,30E-03	2,25E-04	3,61E-12	8,63E-04	3,46E-07	1,27E-04	1,24E-03	4,64E-04	2,16E-05	4,50E+00	2,27E-02
	Distribution	3,21E-03	3,25E-03	-7,20E-05	3,35E-05	5,39E-16	5,03E-06	8,76E-09	2,05E-06	2,17E-05	4,48E-06	2,16E-10	4,16E-02	1,49E-05
	Installation	2,67E-04	1,91E-05	2,48E-04	1,03E-07	3,38E-17	8,58E-08	8,43E-10	4,05E-08	3,55E-07	1,25E-07	1,09E-12	2,57E-04	1,64E-05
	Use	2,43E+00	2,40E+00	2,46E-02	7,91E-03	5,46E-11	5,25E-03	5,13E-06	1,26E-03	1,41E-02	3,12E-03	4,98E-07	4,89E+01	6,01E-01
	End of Life	1,08E-03	9,12E-04	1,61E-04	8,68E-06	1,69E-16	1,38E-06	6,49E-09	5,91E-07	5,95E-06	1,31E-06	5,65E-11	1,10E-02	1,06E-05
	Module D	-1,15E-01	-1,16E-01	2,25E-03	-5,27E-04	-3,12E-13	-5,58E-04	-3,15E-07	-1,14E-04	-1,20E-03	-3,63E-04	-1,57E-05	1,93E+00	-3,31E-02
2847530000 2847470000 2847570000 2847480000 2847510000 2847560000 2847500000 2847490000 2847520000 2847540000 2847550000	Total*	2,69E+00	2,66E+00	2,37E-02	8,18E-03	5,82E-11	6,12E-03	5,49E-06	1,39E-03	1,54E-02	3,60E-03	2,21E-05	5,35E+01	6,24E-01
	Manufacturing	2,58E-01	2,59E-01	-1,30E-03	2,25E-04	3,61E-12	8,65E-04	3,48E-07	1,27E-04	1,25E-03	4,66E-04	2,16E-05	4,52E+00	2,28E-02
	Distribution	3,22E-03	3,26E-03	-7,23E-05	3,36E-05	5,42E-16	5,05E-06	8,80E-09	2,06E-06	2,18E-05	4,50E-06	2,17E-10	4,18E-02	1,49E-05
	Installation	2,67E-04	1,91E-05	2,48E-04	1,03E-07	3,38E-17	8,58E-08	8,43E-10	4,05E-08	3,55E-07	1,25E-07	1,09E-12	2,57E-04	1,64E-05
	Use	2,43E+00	2,40E+00	2,46E-02	7,91E-03	5,46E-11	5,25E-03	5,13E-06	1,26E-03	1,41E-02	3,12E-03	4,98E-07	4,89E+01	6,01E-01
	End of Life	1,09E-03	9,16E-04	1,61E-04	8,73E-06	1,70E-16	1,39E-06	6,53E-09	5,94E-07	5,98E-06	1,31E-06	5,68E-11	1,10E-02	1,06E-05
	Module D	-1,15E-01	-1,17E-01	2,25E-03	-5,27E-04	-3,13E-13	-5,59E-04	-3,16E-07	-1,14E-04	-1,21E-03	-3,64E-04	-1,57E-05	1,94E+00	-3,31E-02
	2847580000	Total*	2,69E+00	2,66E+00	2,37E-02	8,18E-03	5,82E-11	6,12E-03	5,49E-06	1,39E-03	1,54E-02	3,60E-03	2,21E-05	5,35E+01
Manufacturing	2,58E-01	2,59E-01	-1,30E-03	2,25E-04	3,61E-12	8,65E-04	3,47E-07	1,27E-04	1,25E-03	4,65E-04	2,16E-05	4,52E+00	2,27E-02	
Distribution	3,21E-03	3,25E-03	-7,20E-05	3,35E-05	5,40E-16	5,03E-06	8,77E-09	2,05E-06	2,18E-05	4,49E-06	2,16E-10	4,17E-02	1,49E-05	
Installation	2,67E-04	1,91E-05	2,48E-04	1,03E-07	3,38E-17	8,58E-08	8,43E-10	4,05E-08	3,55E-07	1,25E-07	1,09E-12	2,57E-04	1,64E-05	
Use	2,43E+00	2,40E+00	2,46E-02	7,91E-03	5,46E-11	5,25E-03	5,13E-06	1,26E-03	1,41E-02	3,12E-03	4,98E-07	4,89E+01	6,01E-01	
End of Life	1,08E-03	9,12E-04	1,61E-04	8,69E-06	1,69E-16	1,38E-06	6,50E-09	5,92E-07	5,96E-06	1,31E-06	5,66E-11	1,10E-02	1,06E-05	
Module D	-1,15E-01	-1,17E-01	2,25E-03	-5,27E-04	-3,12E-13	-5,58E-04	-3,15E-07	-1,14E-04	-1,20E-03	-3,63E-04	-1,57E-05	1,93E+00	-3,31E-02	
2847730000	Total*	3,76E+00	3,71E+00	3,41E-02	1,14E-02	8,14E-11	8,54E-03	7,66E-06	1,94E-03	2,15E-02	5,01E-03	3,00E-05	7,47E+01	8,72E-01

2872110000 2872140000 2872130000	Manufacturing	3,52E-01	3,53E-01	-7,64E-04	3,04E-04	4,92E-12	1,18E-03	4,63E-07	1,71E-04	1,68E-03	6,30E-04	2,93E-05	6,15E+00	3,04E-02
	Distribution	4,38E-03	4,43E-03	-9,82E-05	4,57E-05	7,36E-16	6,86E-06	1,20E-08	2,80E-06	2,97E-05	6,12E-06	2,95E-10	5,68E-02	2,03E-05
	Installation	2,24E-04	1,60E-05	2,07E-04	8,59E-08	2,83E-17	7,19E-08	7,06E-10	3,39E-08	2,97E-07	1,04E-07	9,15E-13	2,15E-04	1,38E-05
	Use	3,40E+00	3,36E+00	3,45E-02	1,11E-02	7,65E-11	7,35E-03	7,18E-06	1,76E-03	1,98E-02	4,37E-03	6,98E-07	6,85E+01	8,41E-01
	End of Life	1,53E-03	1,29E-03	2,28E-04	1,23E-05	2,40E-16	1,96E-06	9,22E-09	8,39E-07	8,45E-06	1,86E-06	8,02E-11	1,55E-02	1,50E-05
	Module D	-1,54E-01	-1,55E-01	2,23E-03	-7,12E-04	-4,15E-13	-7,56E-04	-4,16E-07	-1,53E-04	-1,62E-03	-4,87E-04	-2,13E-05	-	2,57E+00
2872170000 2872210000 2872120000 2872150000 2872200000 2872160000 2872180000 2872190000	Total*	3,76E+00	3,71E+00	3,41E-02	1,14E-02	8,14E-11	8,54E-03	7,66E-06	1,94E-03	2,15E-02	5,01E-03	3,00E-05	7,47E+01	8,72E-01
Manufacturing	3,51E-01	3,52E-01	-7,66E-04	3,03E-04	4,92E-12	1,18E-03	4,62E-07	1,71E-04	1,68E-03	6,29E-04	2,93E-05	6,14E+00	3,04E-02	
Distribution	4,37E-03	4,42E-03	-9,80E-05	4,56E-05	7,35E-16	6,85E-06	1,19E-08	2,79E-06	2,96E-05	6,11E-06	2,94E-10	5,67E-02	2,02E-05	
Installation	2,24E-04	1,60E-05	2,07E-04	8,59E-08	2,83E-17	7,19E-08	7,06E-10	3,39E-08	2,97E-07	1,04E-07	9,15E-13	2,15E-04	1,38E-05	
Use	3,40E+00	3,36E+00	3,45E-02	1,11E-02	7,65E-11	7,35E-03	7,18E-06	1,76E-03	1,98E-02	4,37E-03	6,98E-07	6,85E+01	8,41E-01	
End of Life	1,53E-03	1,29E-03	2,28E-04	1,23E-05	2,39E-16	1,96E-06	9,20E-09	8,38E-07	8,43E-06	1,85E-06	8,01E-11	1,55E-02	1,50E-05	
Module D	-1,54E-01	-1,55E-01	2,23E-03	-7,11E-04	-4,14E-13	-7,56E-04	-4,16E-07	-1,53E-04	-1,61E-03	-4,86E-04	-2,13E-05	-	2,56E+00	-4,52E-02
2872220000	Total*	3,76E+00	3,71E+00	3,41E-02	1,14E-02	8,14E-11	8,54E-03	7,66E-06	1,94E-03	2,15E-02	5,01E-03	3,00E-05	7,47E+01	8,72E-01
Manufacturing	3,53E-01	3,53E-01	-7,61E-04	3,04E-04	4,92E-12	1,18E-03	4,64E-07	1,72E-04	1,68E-03	6,31E-04	2,93E-05	6,16E+00	3,04E-02	
Distribution	4,40E-03	4,46E-03	-9,88E-05	4,59E-05	7,40E-16	6,90E-06	1,20E-08	2,81E-06	2,99E-05	6,15E-06	2,97E-10	5,72E-02	2,04E-05	
Installation	2,24E-04	1,60E-05	2,07E-04	8,59E-08	2,83E-17	7,19E-08	7,06E-10	3,39E-08	2,97E-07	1,04E-07	9,15E-13	2,15E-04	1,38E-05	
Use	3,40E+00	3,36E+00	3,45E-02	1,11E-02	7,65E-11	7,35E-03	7,18E-06	1,76E-03	1,98E-02	4,37E-03	6,98E-07	6,85E+01	8,41E-01	
End of Life	1,54E-03	1,30E-03	2,29E-04	1,24E-05	2,41E-16	1,97E-06	9,27E-09	8,44E-07	8,50E-06	1,87E-06	8,07E-11	1,56E-02	1,51E-05	
Module D	-1,55E-01	-1,57E-01	2,23E-03	-7,12E-04	-4,17E-13	-7,58E-04	-4,18E-07	-1,54E-04	-1,62E-03	-4,90E-04	-2,13E-05	-	2,59E+00	-4,53E-02

Please obtain the units from the table of the reference article.

\*In accordance with the current Product Category Rules (PCR), the values presented in the 'Total' column do not include the benefits and loads beyond the system boundaries as represented in 'Module D'.

Date of issue: 31.03.2026

Validity period: 5 Years

Document in compliance with ISO 14021

« Environmental labels and declarations - Self-declared environmental claims (Type II environmental labelling) »