

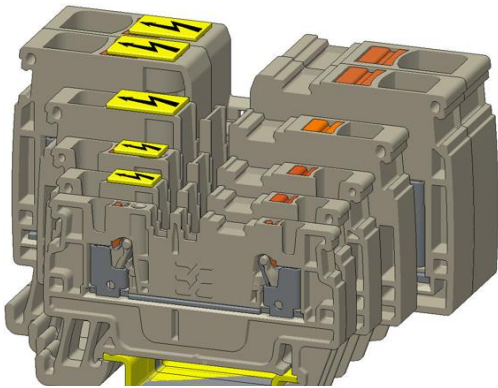
## Technical change to AAM markers

Dear Madam or Sir,

the products listed below are subject to a product change and will be supplied in a modified revision. Please pass this product information on to your employees and, if needed, to your customers. All modifications mentioned have been made to support our ongoing commitment to continual improvement and ongoing product development.

### 1. Initial situation

The AAM 2.5 YE FLASH, AAM 4 YE FLASH and AAM6 YE FLASH markers are used to label the terminals of the A series with a lightning symbol.



### 2. Technical change

The locking pin is extended.

Actual version

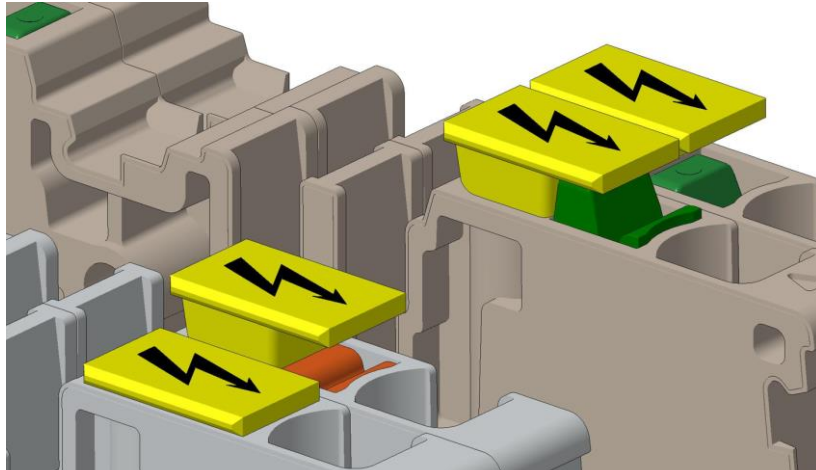


New version



### 3. Reason for change

The AAM marker should be able to be installed on the Snap-In terminals as well as the A-series terminals. When a conductor is inserted into the terminal, the green pusher on the Snap-In terminal springs upwards. To prevent the AAM marker from blocking the pusher, the locking pin has been extended



### 4. Availability

The change will be done in Q2 2026

### 5. Affected parts

Art. No.	Type	Use for terminals with
2635550000	AAM 2.5 YE FLASH	cross section of 2.5 mm <sup>2</sup>
2635560000	AAM 4 YE FLASH	cross section of 4 mm <sup>2</sup>
2635570000	AAM 6 YE FLASH	cross section of 6 mm <sup>2</sup>

We hope that the changes will benefit your business and will not affect you in any significant way and apologise in case of any inconvenience caused. Please rest assured that we will do everything possible to achieve this product change as smoothly as possible with minimum or no business disruption.

For further questions or if you need any additional assistance or information, please contact your local sales office directly. All contacts for sales representatives are available here: <http://www.weidmueller.com/contact>

Details of this and any other product changes can also be found on our web page by following the link shown below

<http://www.weidmueller.com/int/service/online-support-and-downloads/product-change-notification>

Best regards

Product Management

Weidmüller Interface GmbH & Co. KG  
Klingenbergstraße 16, 32758 Detmold, Germany

**Weidmüller** – Your partner in Industrial Connectivity  
We look forward to sharing ideas with you – **Let's connect.**