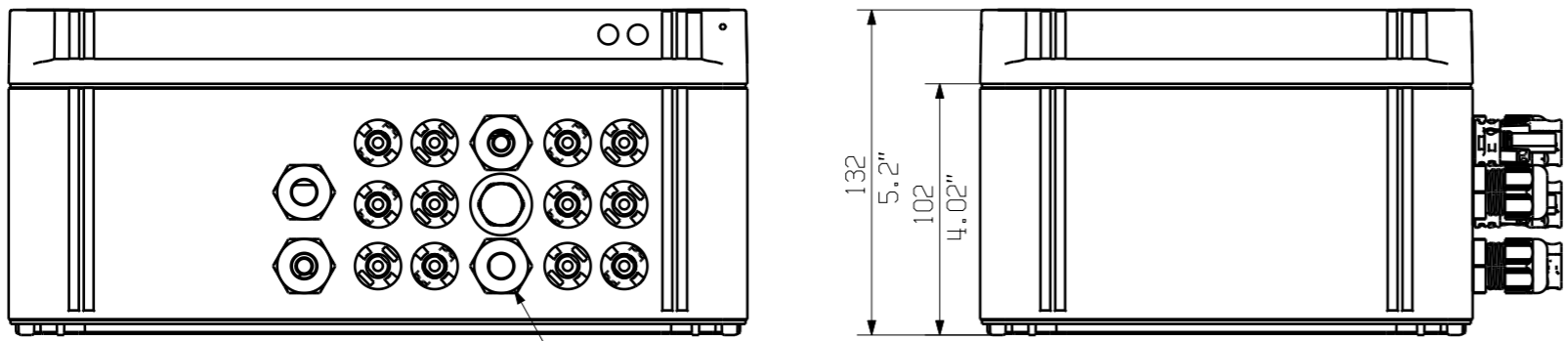


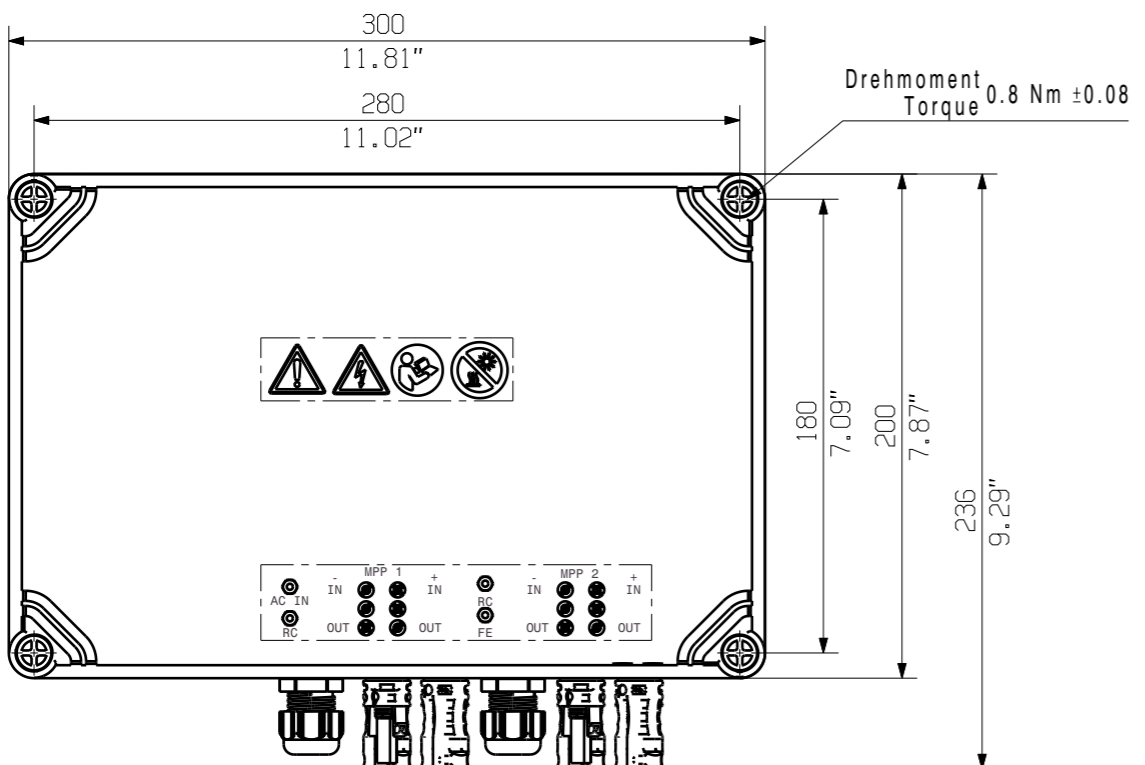
The reproduction, distribution and utilization of this document as well as the communication of its contents to others without explicit authorization is prohibited. Offenders will be held liable for the payment of damages. Weidmüller exclusively reserves the right to file for patents, utility models or designs.

© Weidmüller Interface GmbH & Co. KG

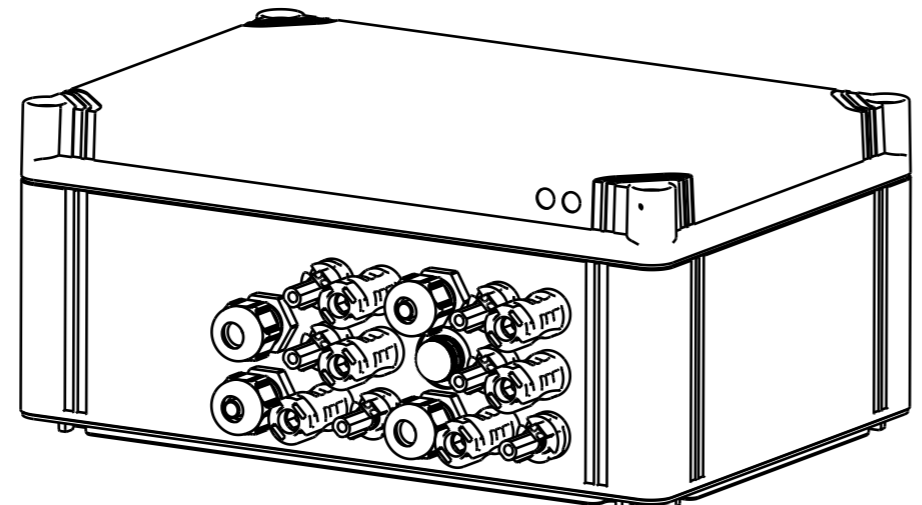
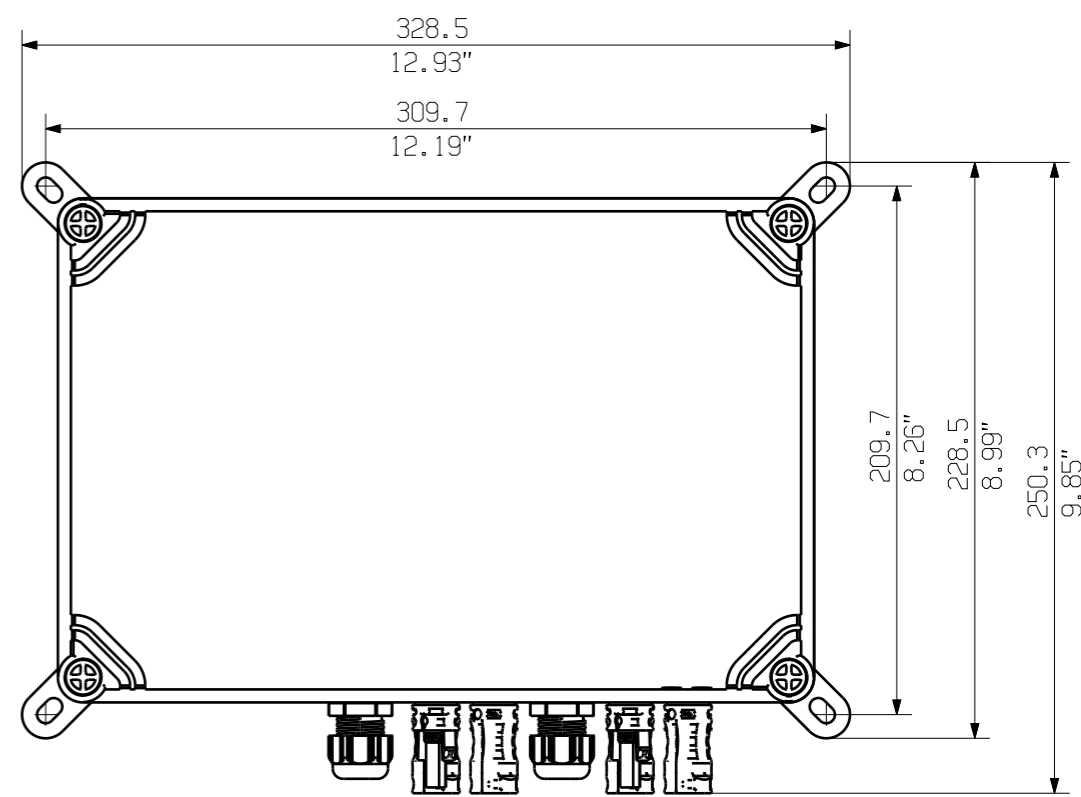
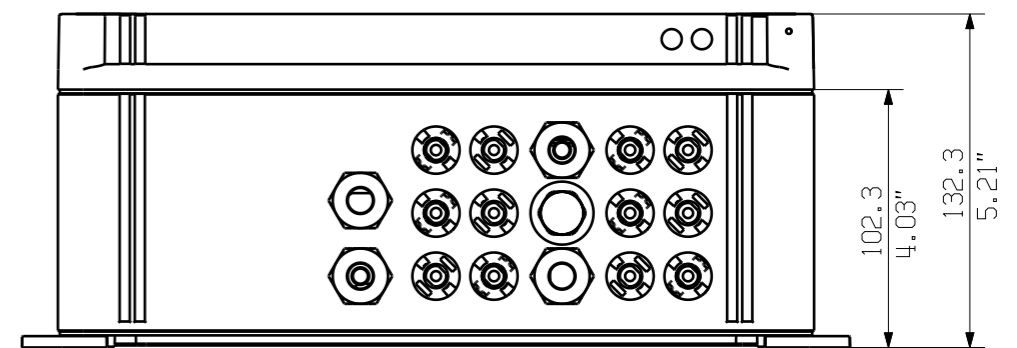
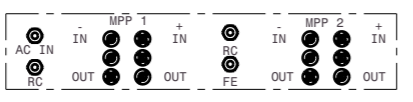
The English version is binding



Drehmoment
Torque 2.5 Nm ±0.5



Drehmoment
Torque 0.8 Nm ±0.08



① Darstellung mit Montagefüßen
Shown with mounting feet

General Tolerances: ISO 2768:1989-m		Tolerances ISO 8015	
Changes: EC00011971	01	Weidmüller	78424 1
Mat. No. (SAP) 8000102903			
Drawings Customer		Scale: 1:3 Sheet 1 / 1	
Drawn: Pestrup, Andre		PVC DC 2I 10 2MPP RD SPD2R EVO 11 COMBINERBOX RESIDENTIAL/COMMERCIAL COMBINERBOX RESIDENTIAL/COMMERCIAL	
Responsible: Pestrup, Andre			
Approved: Pestrup, Andre	19.11.2024		