

プリント基板用製品 SL5.08 シリーズ販売終了のお知らせ


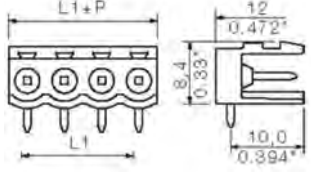

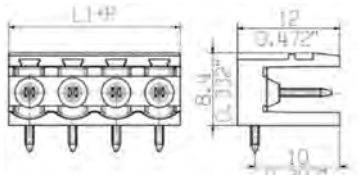

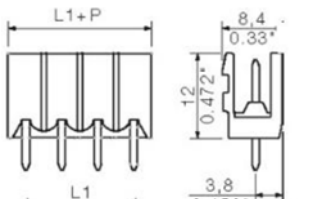

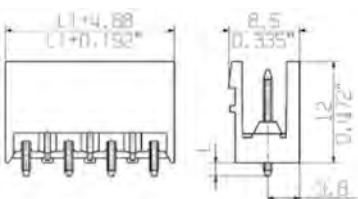
拝啓

貴社にはご清栄のこととお慶び申し上げます。
平素は格別のお引き立てを賜り、誠にありがとうございます。

この度、プリント基板用端子台 SL 5.08 シリーズの世界的な需要減少に伴い販売を終了させていただき事となりました。代替製品としましては、同シリーズの後継製品であります SL 5.08HC シリーズとなります。
現在該当製品をご利用中のお客様には、ご面倒をおかけいたしますが、何卒ご理解いただけますようお願い致します。

敬具

■ 販売終了製品シリーズと代替製品シリーズについて

| 販売終了製品シリーズ SL 5.08/ 90 & 180 | 代替製品シリーズ SL 5.08HC/ 90 & 180 |
|--|---|
| <p>SL 5.08/90</p>   | <p>SL 5.08HC/90</p>   |
| <p>SL 5.08/180</p>   | <p>SL 5.08HC/180</p>   |
| ピッチ : 5.08mm | ピッチ : 5.08mm |
| 定格電流 : 18 A (IEC); 15 A (UL) | 定格電流 : 24 A (IEC); 18.5 A (UL) |
| 定格電圧 : 400 V (IEC); 300 V (UL) | 定格電圧 : 400 V (IEC); 300 V (UL) |
| 相手側 : BLZP5.08, BLF5.08, BLDT5.08, SLZP5.08, SLF5.08 | 相手側 : BLZP5.08, BLF5.08, BLDT5.08, SLZP5.08, SLF5.08 |

※販売終了製品の品番/型式については、“販売終了製品リスト”をご覧ください。

■ 販売終了時期と最終ご注文受付日

- 最終ご注文受付日 : 2023年6月末
- 販売終了時期(最終出荷) : 2023年12月末(予定)

■ 販売終了製品リスト

5.08 ピッチ製品 : SL 5.08/90 & 180

| 品番 | 型式 | 品番 | 型式 |
|------------|------------------------------|------------|------------------------------|
| 1006430000 | SL 5.08/03/180B 3.2SN GN BX | 1509360000 | SL 5.08/15/90 3.2SN OR BX |
| 1006460000 | SL 5.08/05/180B 3.2SN GN BX | 1509460000 | SL 5.08/16/90 3.2SN OR BX |
| 1008020000 | SL 5.08/04/90B 3.2SN GN BX | 1509660000 | SL 5.08/18/90 3.2SN OR BX |
| 1018590000 | SL 5.08/05/180B 4.5AU BL BX | 1509760000 | SL 5.08/19/90 3.2SN OR BX |
| 1047960000 | SL 5.08/02/180B 3.2SN RD BX | 1509860000 | SL 5.08/20/90 3.2SN OR BX |
| 1063050000 | SL 5.08/04/180B 3.2SN GN BX | 1509960000 | SL 5.08/21/90 3.2SN OR BX |
| 1142340000 | SL 5.08/06/180B 3.2SN BK BX | 1510060000 | SL 5.08/22/90 3.2SN OR BX |
| 1158240000 | SL 5.08/04/180B 3.2SN YL BX | 1510300000 | SL 5.08/02/90B 3.2SN GY BX |
| 1161100000 | SL 5.08/03/180B 3.2AU BL BX | 1510310000 | SL 5.08/02/90B 3.2SN BK BX |
| 1161610000 | SL 5.08/03/180B 3.2SN YL BX | 1510360000 | SL 5.08/02/90B 3.2SN OR BX |
| 1201820000 | SL 5.08/10/90B 3.2SN BK BX | 1510380000 | SL 5.08/02/90B 3.2SN BL BX |
| 1201830000 | SL 5.08/24/90B 3.2SN BK BX | 1510410000 | SL 5.08/03/90B 3.2SN BK BX |
| 1208450000 | SL 5.08/07/180B 3.2SN BK BX | 1510460000 | SL 5.08/03/90B 3.2SN OR BX |
| 1208460000 | SL 5.08/08/180B 3.2SN BK BX | 1510480000 | SL 5.08/03/90B 3.2SN BL BX |
| 1208480000 | SL 5.08/10/180B 3.2SN BK BX | 1510500000 | SL 5.08/04/90B 3.2SN GY BX |
| 1216480000 | SL 5.08/16/90B 3.2SN GN BX | 1510510000 | SL 5.08/04/90B 3.2SN BK BX |
| 1287400000 | SL 5.08/05/90B 3.2AU BL BX | 1510560000 | SL 5.08/04/90B 3.2SN OR BX |
| 1324100000 | SL 5.08/4/WDK2.5 OR | 1510580000 | SL 5.08/04/90B 3.2SN BL BX |
| 1369710000 | SL 5.08/07/180B 3.2 SN YL BX | 1510610000 | SL 5.08/05/90B 3.2SN BK BX |
| 1369720000 | SL 5.08/03/180B 3.2 SN WH BX | 1510660000 | SL 5.08/05/90B 3.2SN OR BX |
| 1369730000 | SL 5.08/07/180B 3.2 SN WH BX | 1510700000 | SL 5.08/06/90B 3.2SN GY BX |
| 1394850000 | SL 5.08/02/180B 3.2SN WH BX | 1510710000 | SL 5.08/06/90B 3.2SN BK BX |
| 1404110000 | SL 5.08/09/180B 3.2SN TGY BX | 1510760000 | SL 5.08/06/90B 3.2SN OR BX |
| 1508010000 | SL 5.08/02/90 3.2SN BK BX | 1510860000 | SL 5.08/07/90B 3.2SN OR BX |
| 1508060000 | SL 5.08/02/90 3.2SN OR BX | 1510910000 | SL 5.08/08/90B 3.2SN BK BX |
| 1508150000 | SL 5.08/03/90 3.2SN DKGX BX | 1510950000 | SL 5.08/08/90B 3.2SN DKGX BX |
| 1508160000 | SL 5.08/03/90 3.2SN OR BX | 1510960000 | SL 5.08/08/90B 3.2SN OR BX |
| 1508250000 | SL 5.08/04/90 3.2SN DKGX BX | 1511010000 | SL 5.08/09/90B 3.2SN BK BX |
| 1508260000 | SL 5.08/04/90 3.2SN OR BX | 1511060000 | SL 5.08/09/90B 3.2SN OR BX |
| 1508350000 | SL 5.08/05/90 3.2SN DKGX BX | 1511160000 | SL 5.08/10/90B 3.2SN OR BX |
| 1508360000 | SL 5.08/05/90 3.2SN OR BX | 1511260000 | SL 5.08/11/90B 3.2SN OR BX |
| 1508450000 | SL 5.08/06/90 3.2SN DKGX BX | 1511360000 | SL 5.08/12/90B 3.2SN OR BX |
| 1508460000 | SL 5.08/06/90 3.2SN OR BX | 1511460000 | SL 5.08/13/90B 3.2SN OR BX |
| 1508560000 | SL 5.08/07/90 3.2SN OR BX | 1511560000 | SL 5.08/14/90B 3.2SN OR BX |
| 1508650000 | SL 5.08/08/90 3.2SN DKGX BX | 1511600000 | SL 5.08/15/90B 3.2SN GY BX |
| 1508660000 | SL 5.08/08/90 3.2SN OR BX | 1511660000 | SL 5.08/15/90B 3.2SN OR BX |
| 1508660026 | SL 5.08/8/90 2.6SN OR | 1511760000 | SL 5.08/16/90B 3.2SN OR BX |
| 1508760000 | SL 5.08/09/90 3.2SN OR BX | 1511860000 | SL 5.08/17/90B 3.2SN OR BX |
| 1508850000 | SL 5.08/10/90 3.2SN DKGX BX | 1512060000 | SL 5.08/19/90B 3.2SN OR BX |
| 1508860000 | SL 5.08/10/90 3.2SN OR BX | 1512160000 | SL 5.08/20/90B 3.2SN OR BX |
| 1509060000 | SL 5.08/12/90 3.2SN OR BX | 1512550000 | SL 5.08/24/90B 3.2SN DKGX BX |
| 1509210000 | SL 5.08/14/90 3.2SN BK BX | 1512560000 | SL 5.08/24/90B 3.2SN OR BX |
| 1509260000 | SL 5.08/14/90 3.2SN OR BX | 1512610000 | SL 5.08/02/90 4.5SN BK BX |

| | | | |
|------------|------------------------------|------------|-------------------------------|
| 1512660000 | SL 5.08/02/90 4.5SN OR BX | 1517310000 | SL 5.08/03/180 3.2SN BK BX |
| 1512710000 | SL 5.08/03/90 4.5SN BK BX | 1517350000 | SL 5.08/03/180 3.2SN DKGX BX |
| 1512760000 | SL 5.08/03/90 4.5SN OR BX | 1517360000 | SL 5.08/03/180 3.2SN OR BX |
| 1512810000 | SL 5.08/04/90 4.5SN BK BX | 1517410000 | SL 5.08/04/180 3.2SN BK BX |
| 1512860000 | SL 5.08/04/90 4.5SN OR BX | 1517450000 | SL 5.08/04/180 3.2SN DKGX BX |
| 1512960000 | SL 5.08/05/90 4.5SN OR BX | 1517460000 | SL 5.08/04/180 3.2SN OR BX |
| 1513010000 | SL 5.08/06/90 4.5SN BK BX | 1517550000 | SL 5.08/05/180 3.2SN DKGX BX |
| 1513060000 | SL 5.08/06/90 4.5SN OR BX | 1517560000 | SL 5.08/05/180 3.2SN OR BX |
| 1513110000 | SL 5.08/07/90 4.5SN BK BX | 1517650000 | SL 5.08/06/180 3.2SN DKGX BX |
| 1513260000 | SL 5.08/08/90 4.5SN OR BX | 1517660000 | SL 5.08/06/180 3.2SN OR BX |
| 1513360000 | SL 5.08/09/90 4.5SN OR BX | 1517710000 | SL 5.08/07/180 3.2SN BK BX |
| 1513410000 | SL 5.08/10/90 4.5SN BK BX | 1517760000 | SL 5.08/07/180 3.2SN OR BX |
| 1513460000 | SL 5.08/10/90 4.5SN OR BX | 1517860000 | SL 5.08/08/180 3.2SN OR BX |
| 1513560000 | SL 5.08/11/90 4.5SN OR BX | 1517910000 | SL 5.08/09/180 3.2SN BK BX |
| 1513610000 | SL 5.08/12/90 4.5SN BK BX | 1517950000 | SL 5.08/09/180 3.2SN DKGX BX |
| 1513660000 | SL 5.08/12/90 4.5SN OR BX | 1517960000 | SL 5.08/09/180 3.2SN OR BX |
| 1513710000 | SL 5.08/13/90 4.5SN BK BX | 1518010000 | SL 5.08/10/180 3.2SN BK BX |
| 1513810000 | SL 5.08/14/90 4.5SN BK BX | 1518060000 | SL 5.08/10/180 3.2SN OR BX |
| 1513860000 | SL 5.08/14/90 4.5SN OR BX | 1518160000 | SL 5.08/11/180 3.2SN OR BX |
| 1513960000 | SL 5.08/15/90 4.5SN OR BX | 1518250000 | SL 5.08/12/180 3.2SN DKGX BX |
| 1514060000 | SL 5.08/16/90 4.5SN OR BX | 1518260000 | SL 5.08/12/180 3.2SN OR BX |
| 1514910000 | SL 5.08/02/90B 4.5SN BK BX | 1518310000 | SL 5.08/13/180 3.2SN BK BX |
| 1514960000 | SL 5.08/02/90B 4.5SN OR BX | 1518360000 | SL 5.08/13/180 3.2SN OR BX |
| 1515010000 | SL 5.08/03/90B 4.5SN BK BX | 1518380000 | SL 5.08/13/180 3.2SN BL BX |
| 1515060000 | SL 5.08/03/90B 4.5SN OR BX | 1518460000 | SL 5.08/14/180 3.2SN OR BX |
| 1515110000 | SL 5.08/04/90B 4.5SN BK BX | 1518560000 | SL 5.08/15/180 3.2SN OR BX |
| 1515160000 | SL 5.08/04/90B 4.5SN OR BX | 1518660000 | SL 5.08/16/180 3.2SN OR BX |
| 1515210000 | SL 5.08/05/90B 4.5SN BK BX | 1518860000 | SL 5.08/18/180 3.2SN OR BX |
| 1515260000 | SL 5.08/05/90B 4.5SN OR BX | 1519060000 | SL 5.08/20/180 3.2SN OR BX |
| 1515310000 | SL 5.08/06/90B 4.5SN BK BX | 1519360000 | SL 5.08/23/180 3.2SN OR BX |
| 1515360000 | SL 5.08/06/90B 4.5SN OR BX | 1519510000 | SL 5.08/02/180B 3.2SN BK BX |
| 1515510000 | SL 5.08/08/90B 4.5SN BK BX | 1519550000 | SL 5.08/02/180B 3.2SN DKGX BX |
| 1515560000 | SL 5.08/08/90B 4.5SN OR BX | 1519560000 | SL 5.08/02/180B 3.2SN OR BX |
| 1515760000 | SL 5.08/10/90B 4.5SN OR BX | 1519580000 | SL 5.08/02/180B 3.2SN BL BX |
| 1515810000 | SL 5.08/11/90B 4.5SN BK BX | 1519610000 | SL 5.08/03/180B 3.2SN BK BX |
| 1515910000 | SL 5.08/12/90B 4.5SN BK BX | 1519650000 | SL 5.08/03/180B 3.2SN DKGX BX |
| 1515960000 | SL 5.08/12/90B 4.5SN OR BX | 1519660000 | SL 5.08/03/180B 3.2SN OR BX |
| 1516060000 | SL 5.08/13/90B 4.5SN OR BX | 1519710000 | SL 5.08/04/180B 3.2SN BK BX |
| 1516210000 | SL 5.08/15/90B 4.5SN BK BX | 1519750000 | SL 5.08/04/180B 3.2SN DKGX BX |
| 1516310000 | SL 5.08/16/90B 4.5SN BK BX | 1519760000 | SL 5.08/04/180B 3.2SN OR BX |
| 1516360000 | SL 5.08/16/90B 4.5SN OR BX | 1519860000 | SL 5.08/05/180B 3.2SN OR BX |
| 1516660000 | SL 5.08/19/90B 4.5SN OR BX | 1519950000 | SL 5.08/06/180B 3.2SN DKGX BX |
| 1517210000 | SL 5.08/02/180 3.2SN BK BX | 1519960000 | SL 5.08/06/180B 3.2SN OR BX |
| 1517250000 | SL 5.08/02/180 3.2SN DKGX BX | 1520060000 | SL 5.08/07/180B 3.2SN OR BX |
| 1517260000 | SL 5.08/02/180 3.2SN OR BX | 1520100000 | SL 5.08/08/180B 3.2SN GY BX |

| | | | |
|------------|-------------------------------|------------|---------------------------------|
| 1520160000 | SL 5.08/08/180B 3.2SN OR BX | 1524410000 | SL 5.08/05/180B 4.5SN BK BX |
| 1520180000 | SL 5.08/08/180B 3.2SN BL BX | 1524460000 | SL 5.08/05/180B 4.5SN OR BX |
| 1520260000 | SL 5.08/09/180B 3.2SN OR BX | 1524510000 | SL 5.08/06/180B 4.5SN BK BX |
| 1520360000 | SL 5.08/10/180B 3.2SN OR BX | 1524560000 | SL 5.08/06/180B 4.5SN OR BX |
| 1520460000 | SL 5.08/11/180B 3.2SN OR BX | 1524580000 | SL 5.08/06/180B 4.5SN BL BX |
| 1520550000 | SL 5.08/12/180B 3.2SN DKGX BX | 1524610000 | SL 5.08/07/180B 4.5SN BK BX |
| 1520560000 | SL 5.08/12/180B 3.2SN OR BX | 1524660000 | SL 5.08/07/180B 4.5SN OR BX |
| 1520660000 | SL 5.08/13/180B 3.2SN OR BX | 1524710000 | SL 5.08/08/180B 4.5SN BK BX |
| 1520760000 | SL 5.08/14/180B 3.2SN OR BX | 1524760000 | SL 5.08/08/180B 4.5SN OR BX |
| 1520860000 | SL 5.08/15/180B 3.2SN OR BX | 1524860000 | SL 5.08/09/180B 4.5SN OR BX |
| 1520960000 | SL 5.08/16/180B 3.2SN OR BX | 1524910000 | SL 5.08/10/180B 4.5SN BK BX |
| 1521060000 | SL 5.08/17/180B 3.2SN OR BX | 1524960000 | SL 5.08/10/180B 4.5SN OR BX |
| 1521160000 | SL 5.08/18/180B 3.2SN OR BX | 1525060000 | SL 5.08/11/180B 4.5SN OR BX |
| 1521260000 | SL 5.08/19/180B 3.2SN OR BX | 1525110000 | SL 5.08/12/180B 4.5SN BK BX |
| 1521360000 | SL 5.08/20/180B 3.2SN OR BX | 1525160000 | SL 5.08/12/180B 4.5SN OR BX |
| 1521460000 | SL 5.08/21/180B 3.2SN OR BX | 1525260000 | SL 5.08/13/180B 4.5SN OR BX |
| 1521560000 | SL 5.08/22/180B 3.2SN OR BX | 1525360000 | SL 5.08/14/180B 4.5SN OR BX |
| 1521760000 | SL 5.08/24/180B 3.2SN OR BX | 1525460000 | SL 5.08/15/180B 4.5SN OR BX |
| 1521810000 | SL 5.08/02/180 4.5SN BK BX | 1525510000 | SL 5.08/16/180B 4.5SN BK BX |
| 1521860000 | SL 5.08/02/180 4.5SN OR BX | 1525580000 | SL 5.08/16/180B 4.5SN BL BX |
| 1521910000 | SL 5.08/03/180 4.5SN BK BX | 1525710000 | SL 5.08/18/180B 4.5SN BK BX |
| 1521960000 | SL 5.08/03/180 4.5SN OR BX | 1525760000 | SL 5.08/18/180B 4.5SN OR BX |
| 1522060000 | SL 5.08/04/180 4.5SN OR BX | 1525910000 | SL 5.08/20/180B 4.5SN BK BX |
| 1522110000 | SL 5.08/05/180 4.5SN BK BX | 1526060000 | SL 5.08/21/180B 4.5SN OR BX |
| 1522160000 | SL 5.08/05/180 4.5SN OR BX | 1526360000 | SL 5.08/24/180B 4.5SN OR BX |
| 1522210000 | SL 5.08/06/180 4.5SN BK BX | 1538480000 | SL 5.08/05/180F QV5 SN BK BX SO |
| 1522260000 | SL 5.08/06/180 4.5SN OR BX | 1733890000 | SL 5.08/08/90B 4.5 AU BK BX |
| 1522360000 | SL 5.08/07/180 4.5SN OR BX | 1733940000 | SL 5.08/06/180 3.2AU OR BX |
| 1522410000 | SL 5.08/08/180 4.5SN BK BX | 1734020000 | SL 5.08/08/180B 4.5AU BK BX |
| 1522460000 | SL 5.08/08/180 4.5SN OR BX | 1753960000 | SL 5.08/20/180B 4.5AU OR BX |
| 1522560000 | SL 5.08/09/180 4.5SN OR BX | 1768641001 | SL 5.08/13/180B 3.2SN OR BX CO |
| 1522660000 | SL 5.08/10/180 4.5SN OR BX | 1768641002 | SL 5.08/13/180B 3.2SN OR BX CO |
| 1522810000 | SL 5.08/12/180 4.5SN BK BX | 1774150000 | SL 5.08/10/180B 3.2SN GY BX |
| 1522860000 | SL 5.08/12/180 4.5SN OR BX | 1790700000 | SL 5.08/11/180B 4.5AU BK BX |
| 1522960000 | SL 5.08/13/180 4.5SN OR BX | 1805170000 | SL 5.08/04/180 3.2SN DKGX BX |
| 1523060000 | SL 5.08/14/180 4.5SN OR BX | 1805180000 | SL 5.08/04/90 3.2SN DKGX BX |
| 1523160000 | SL 5.08/15/180 4.5SN OR BX | 1814440000 | SL 5.08/12/90B 3.2SN BK BX |
| 1523260000 | SL 5.08/16/180 4.5SN OR BX | 1816410000 | SL 5.08/18/90B 3.2SN BK BX |
| 1523360000 | SL 5.08/17/180 4.5SN OR BX | 1836660000 | SL 5.08/03/90B 4.5 AU GY BX |
| 1524110000 | SL 5.08/02/180B 4.5SN BK BX | 1858000000 | SL 5.08/13/90B 3.2SN BK BX |
| 1524160000 | SL 5.08/02/180B 4.5SN OR BX | 1858040000 | SL 5.08/20/180B 3.2SN BL BX |
| 1524210000 | SL 5.08/03/180B 4.5SN BK BX | 1862260000 | SL 5.08/10/90 4.5SN BL BX |
| 1524260000 | SL 5.08/03/180B 4.5SN OR BX | 1926210000 | SL 5.08/04/180 16.0SN BK BX |
| 1524310000 | SL 5.08/04/180B 4.5SN BK BX | 1933650000 | SL 5.08/18/90B 3.2SN OR BX CO |
| 1524360000 | SL 5.08/04/180B 4.5SN OR BX | | |

今後とも弊社製品をご愛用いただけますようお願い致します。
ご不明点がございましたら下記までお問い合わせください。

【本件に関するお問い合わせ先】

日本ワイドミュラー株式会社 事業推進部
〒140-0002 東京都品川区東品川 2-2-8 スフィアタワー天王洲
TEL: 03-6711-5302 FAX : 03-6711-5333
E-mail: info@weidmuller.co.jp
<http://www.weidmuller.co.jp>