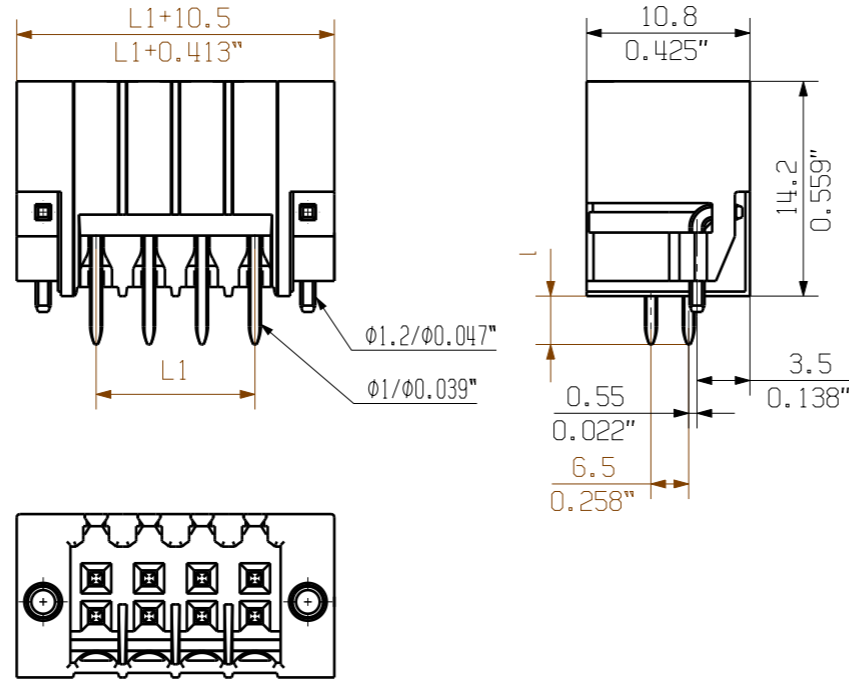
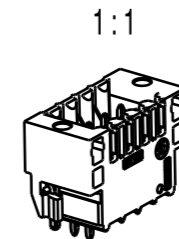
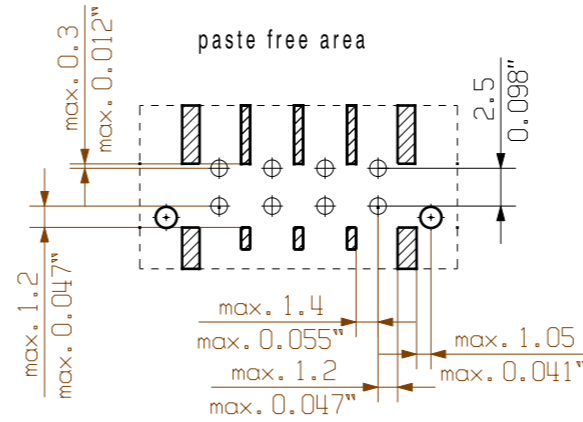
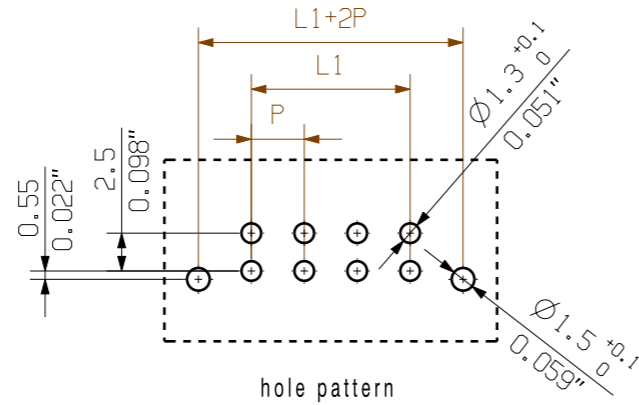
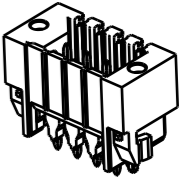


The reproduction, distribution and utilization of this document as well as the communication of its contents to others without explicit authorization is prohibited. Offenders will be held liable for the payment of damages. Weidmüller exclusively reserves the right to file for patents, utility models or designs.

© Weidmüller Interface GmbH & Co. KG



shown: S2L-SMT/3.50/08/180LF
1:1



P = 3.50 Raster Pitch
D = Ø1,3^{+0.1} / Ø0.051^{+0.1}
d = 1mm oktogonal / 0.039" octogonal
SHOWN S2L-SMT 3.50/8/180 LF

pin length l	tolerance
1.5	0,0
3.2	-0,3
4.5	-0,3

36	59.50	2.343	±0.2
34	56.00	2.205	
32	52.50	2.067	
30	49.00	1.929	
28	45.50	1.791	±0.15
26	42.00	1.654	
24	38.50	1.516	
22	35.00	1.378	
20	31.50	1.240	±0.1
18	28.00	1.102	
16	24.50	0.965	
14	21.00	0.827	
12	17.50	0.689	±0.1
10	14.00	0.551	
8	10.50	0.413	
6	7.00	0.276	
4	3.50	0.138	
n Poles	L1 [mm]	L1 [inch]	Tolerance

For the mounting of PCBs, it should be noted that the rated data given in the catalogue relates only to the connection elements. The necessary creepage and clearance paths must be observed in connection with the respective applicant in accordance to VDE 0110. The current-carrying capacity and pitch tolerance is to be determined according to DIN IEC 326 part 3 very fine.

Weidmüller connectors are tested to the DIN VDE 0627 standard, and are valid for its field of application. Provided that the connectors are used to the intended purpose, all requirements with respect to the occurring of electrical, mechanical, thermal and corrosive stress will be satisfied.

General tolerance: DIN ISO 2768-mK		99684/4 02.03.18 HELIS_MA 00		Cat.no.: .	
		Modification		Weidmüller	
		Date	Name	3 32319 (35)	
Scale: 2/1		Drawn	10.06.2008	HELIS_MA	Drawing no. Issue no.
Supersedes: .		Responsible		AMANN_A	Sheet 03 of 04 sheets
		Checked	19.03.2018	HELIS_MA	
		Approved		LANG_T	
				S2L-SMT 3.50/.../180... STIFTLISTE PIN HEADER	
				Product file: S2L-SMT 3.50 7272	