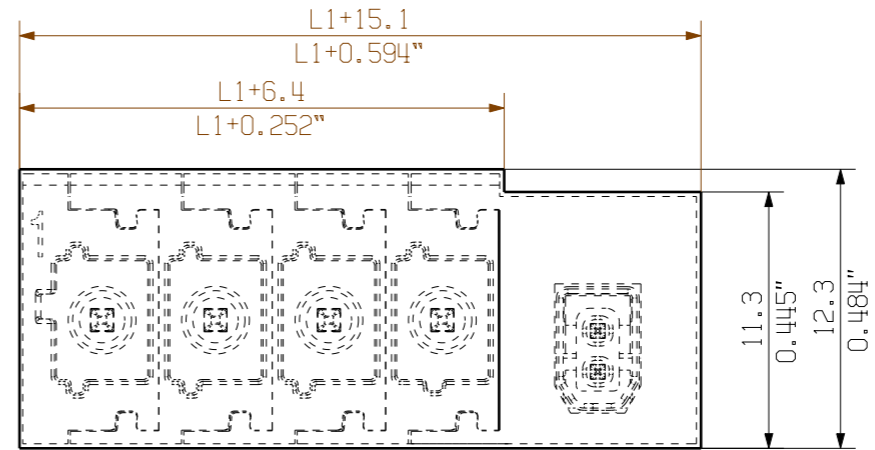
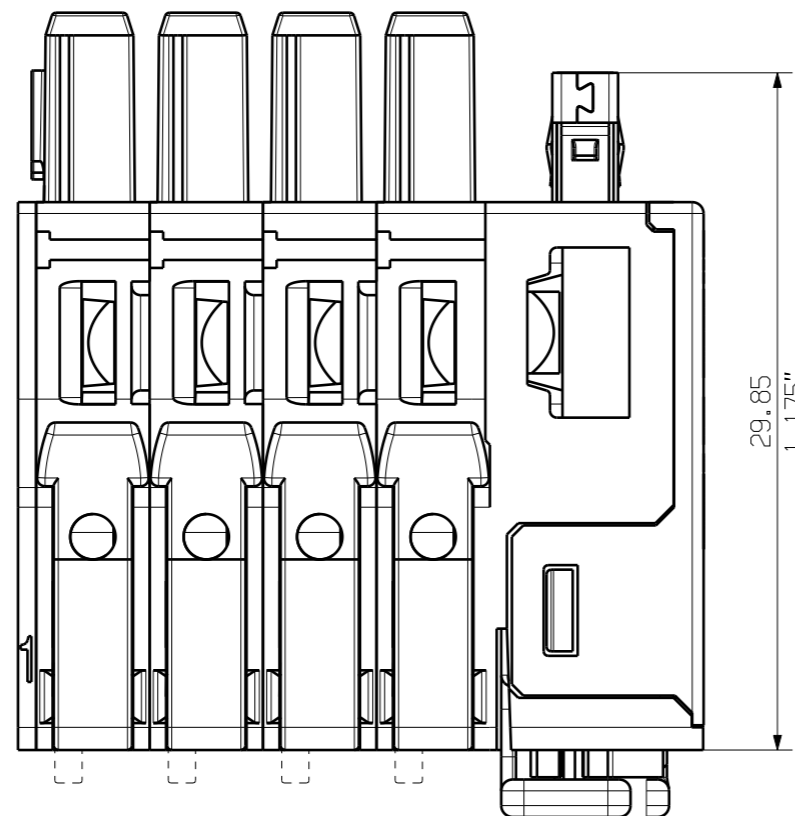
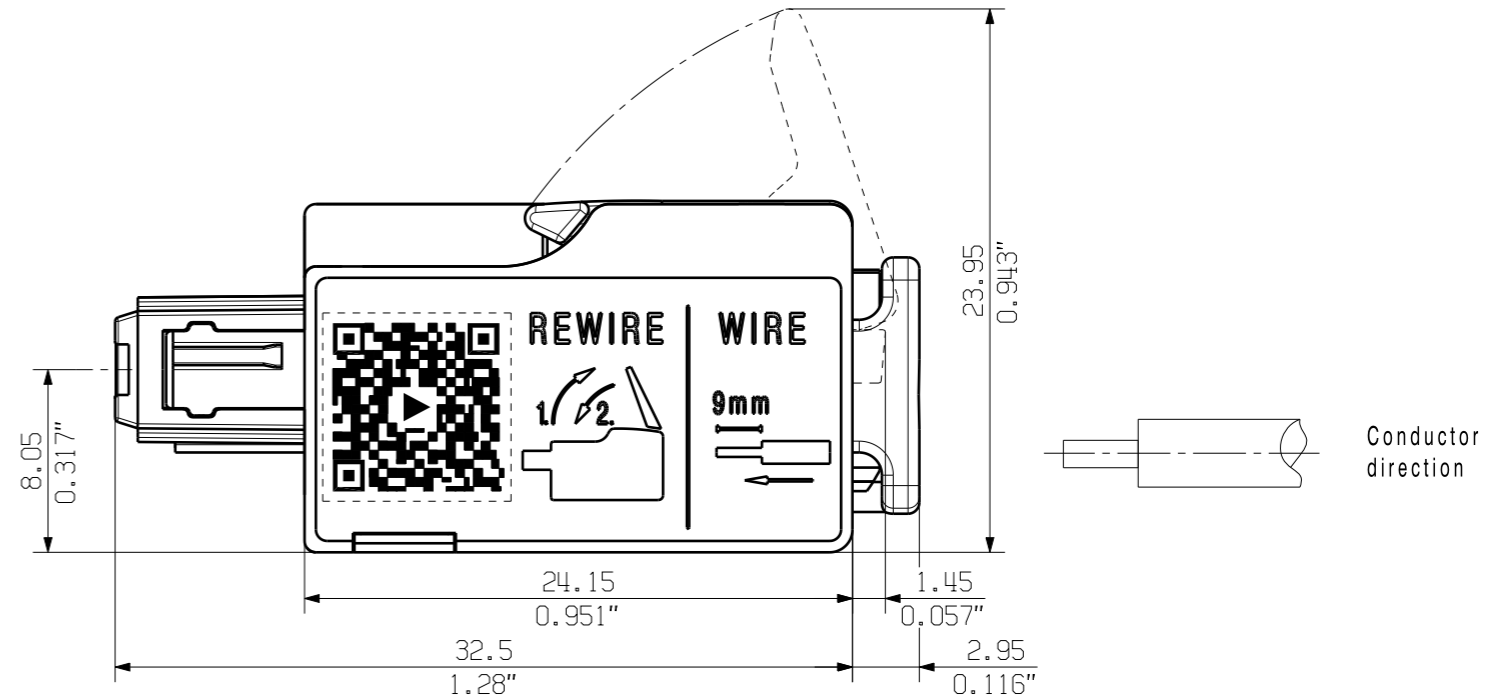
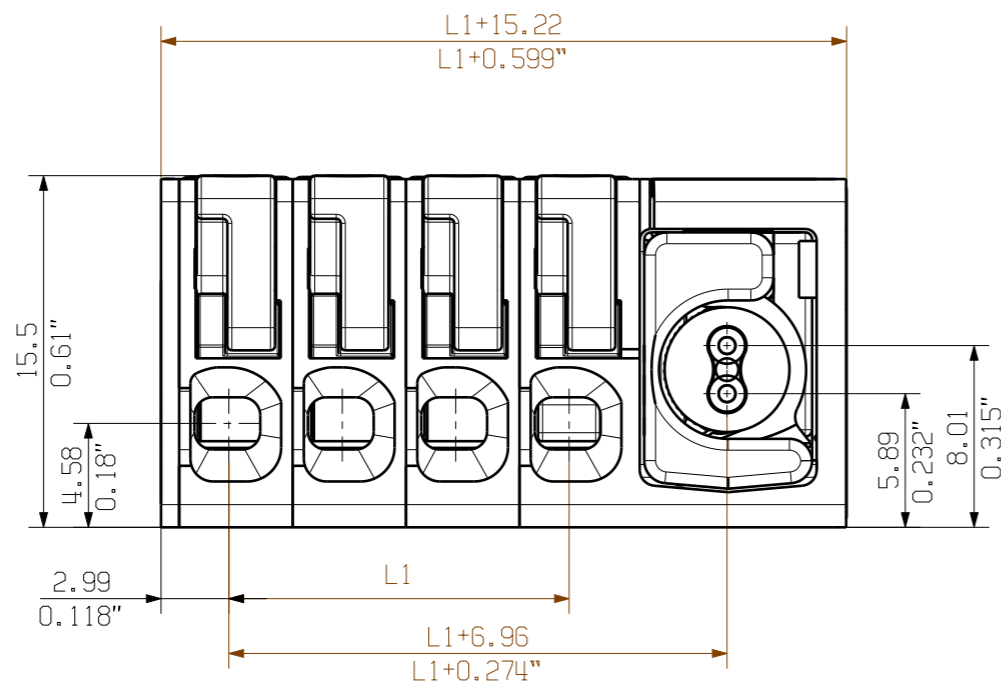
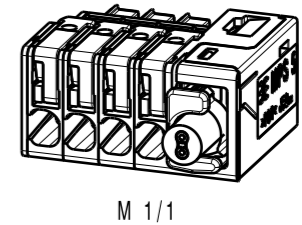


Allgemeinguetlige Kundenzeichnung, aktueller Stand nur auf Anfrage
 General customer drawing, topical version only if required



Min. front plate cut-out



11	50.00	1.969
10	45.00	1.772
9	40.00	1.575
8	35.00	1.378
7	30.00	1.181
6	25.00	0.984
5	20.00	0.787
4	15.00	0.591
3	10.00	0.394
2	5.00	0.197
n Poles	L1 [mm]	L1 [inch]

Further dim. & info. see data sheet

General tolerance:
 DIN ISO 2768-mK

For the mounting of PCBs, it should be noted that the rated data given in the catalogue relates only to the connection elements. The necessary creepage and clearance paths must be observed in connection with the respective applicant in accordance to VDE 0110. The current-carrying capacity and pitch tolerance is to be determined according to DIN IEC 326 part 3 very fine.

Weidmueller connectors are tested to the DIN VDE 0627 standard, and are valid for its field of application. Provided that the connectors are used to the intended purpose, all requirements with respect to the occurring of electrical, mechanical, thermic and corrosive stress will be satisfied.

	EC00004980 P028441	Prim PLM Part No.: .	Prim ERP Part No.: .								
	First Issue Date 07.05.2020	Max. nos. Modification									
	<table border="1"> <tr><td>Drawn</td><td>15.03.2021</td><td>Tauber-Reglin,</td></tr> <tr><td>Responsible</td><td></td><td>Schmitz, Till</td></tr> <tr><td>Approved</td><td>24.03.2021</td><td>Sapina, Svetos</td></tr> </table>	Drawn	15.03.2021	Tauber-Reglin,	Responsible		Schmitz, Till	Approved	24.03.2021	Sapina, Svetos	72561 Drawing no. Issue no. Sheet 7 of 8 sheets
Drawn	15.03.2021	Tauber-Reglin,									
Responsible		Schmitz, Till									
Approved	24.03.2021	Sapina, Svetos									
Scale: 3/1 Size: A3	Drawings Assembly	Product file:	MPS 5/... TN ... BUCHSENSTECKER FEMALE PLUG								

The reproduction, distribution and utilization of this document as well as the communication of its contents to others without explicit authorization is prohibited. Offenders will be held liable for the payment of damages. Weidmueller exclusively reserves the right to file for patents, utility models or designs. © Weidmueller Interface GmbH & Co. KG