

EPAK-CI-2CO-EP

# Isolator Manual

Model Type: EPAK-CI-2CO-EP

Order Number: 7760054309



## Caution

- Please check the product type model and the specification on the product outside wrapping in order to ensure they are according with the purchase contract.
- Carefully read and understand this manual before using this product. Any question, please contact our company technical support hotline for assistance.
- Isolator should be installed in proper area.
- Power supply is 24VDC, 220VAC is strictly forbidden.
- Customer is not allowed to repair the products.

## ■ Specification

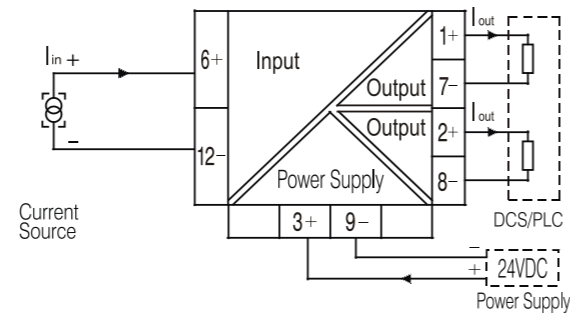
Channel:	1/2
Input:	
Input signal:	Current source
Current range:	0~20mA or 4~20mA
Input impedance:	≤100Ω
Maximum current:	30mA
Output:	
Current range:	0~20mA or 4~20mA
Output load:	≤300Ω
Accuracy:	0.1%F.S.
Temperature coefficient:	300ppm/K
Response time:	≤500ms
Power supply:	
Supply voltage:	20~35V DC
Current consumption:	≤60mA(24V power supply, 20mA output)
Power protection:	Inverse protection
Insulation coordination:	
Standards:	EN61010-1
EMC standards:	IEC61326-1
Rated voltage:	300V
Impulse withstand voltage:	3000V(1.2/50μs)
Isolation voltage:	1500V
Overvoltage category:	II
Pollution severity:	2

## ■ General

The surrounding air should not include the material which can corrupt the coating of chrome, nickel. And the installation cabinet should not subsist electromagnetism induction influence, such as violent quiver or impact, big current spark and so on.

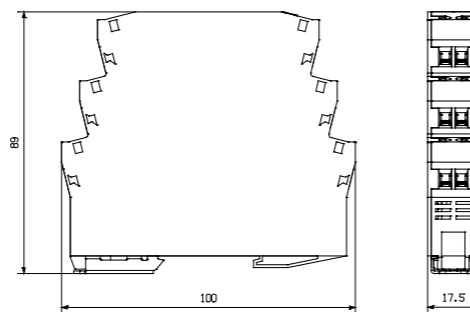
Operating temperature: -20℃ to+60℃  
 Storage temperature: -40℃ to+85℃  
 Relative humidity: 5% to 95%RH  
 Housing: EPAK  
 Weight: approx.110g

## ■ Wiring



## ■ Dimensions

HeightXLengthXWidth: 100X89X17.5(mm)

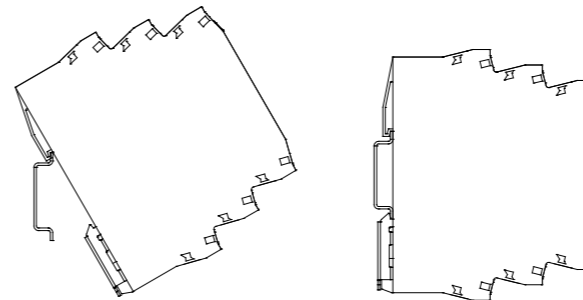


## ■ Front cover and terminal definition



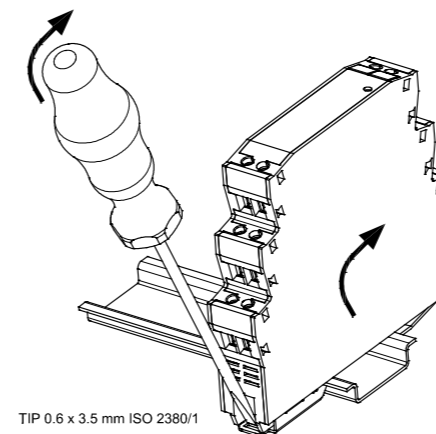
## ■ Installation

The product is designed to be mounted onto a TS 35 DIN rail. It clips onto the rail via a spring-loaded mounting foot and can be removed via a spring release on the edge of the product near the mounting rail.



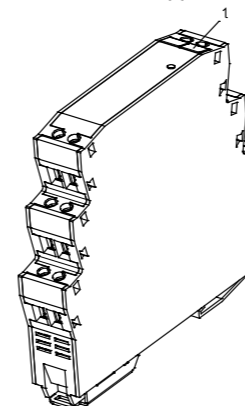
## ■ Uninstallation

Please refer to the following picture when try to uninstall the isolator from the Din rail. Insert the screw driver into the hold of the house feet and turn the screw driver to take off the isolator.



## ■ Marker

A device marker is located below the upper set of terminals for customer identification.



## ■ Maintenance

- (1) Before powering the isolator, make sure the models type is correct according to the design and the application environmental conditions.
- (2) Please choose the power supply with short circuit protection function.
- (3) After the electronic products have been powered for more than fifteen minutes, the temperature of them should be stable.
- (4) It is strictly prohibited to test the insulation capability between any two terminals of the product by a mega-ohmmeter. All of the connecting wires of the isolator must be disconnected, before testing the insulation of the system, otherwise internal components will be destroyed.
- (5) Each product has been tested strictly and the quality is controlled rigidly. If you have any questions regarding this product, please contact the nearest distributor or our company technical support hotline directly for assistance.
- (6) In 12 months from delivery date, if the product works improperly in the process of normal usage, we will repair it without charge.

Weidmüller Interface GmbH Klingenbergstr.16  
 32758 Detmold  
 Germany

Weidmüller Interface (Shanghai) Co.,Ltd.  
 25F, BM Intercontinental Business Center, 100 Yutong Road, Shanghai,  
 China.200070  
 Phone:+86 21 2219-5008  
 Fax:+86 21 2219-5009  
 www.weidmueller.com

# EPAK-CI-2CO-EP

## 隔离器

# 使用说明书

型号: EPAK-CI-2CO-EP

订货号: 7760054309



### 注意

- 请核对产品外包装, 产品标签的型号、规格是否与订货合同一致;
- 隔离器安装、使用前应仔细阅读本说明书, 若有疑问, 请与本公司技术支持热线联系;
- 隔离器应安装在温度、湿度等与产品要求相符的环境;
- 仪表供电24V直流电源, 严禁使用220V交流电源;
- 严禁私自拆装仪表, 防止仪表失效或发生故障。

### ■ 概述

电流源输入隔离器, 把现场电流源产生的0/4~20mA信号隔离输出。该产品需要独立供电, 电源、输入和输出三端隔离。

### ■ 主要技术参数

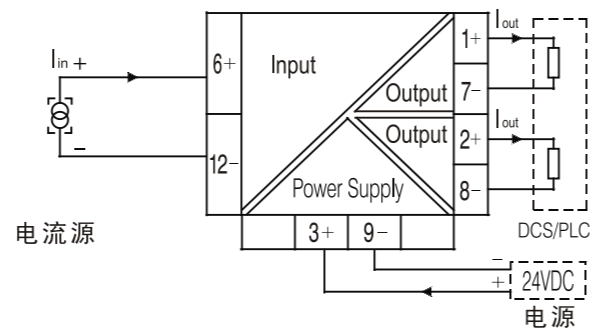
通道数:	1/2
输入侧:	
适用现场设备:	电流源信号
输入信号:	0~20mA或4~20mA
输入阻抗:	≤100Ω
最大电流:	30mA
输出侧:	
输出信号:	0~20mA或4~20mA
负载电阻:	≤300Ω
传输精度:	0.1%F.S.
温度漂移:	300ppm/K
响应时间:	≤500ms
供电电源:	
供电电压:	20~35V DC
功耗:	≤60mA (24V供电, 20mA输出时)
电源保护:	反向保护
绝缘参数:	
标准:	EN61010-1
电磁兼容性:	IEC61326-1
额定电压:	300V
抗冲击电压:	3000V(1.2/50μs)
隔离电压:	1500V
过压等级:	II
污染等级:	2

### ■ 一般特性

周围环境中不得有强烈振动、冲击以及大电流和火花等电磁感应影响, 空气中应不含有对锡、铬、镍、银镀层等起腐蚀作用的介质, 应不含有易燃、易爆的物质;

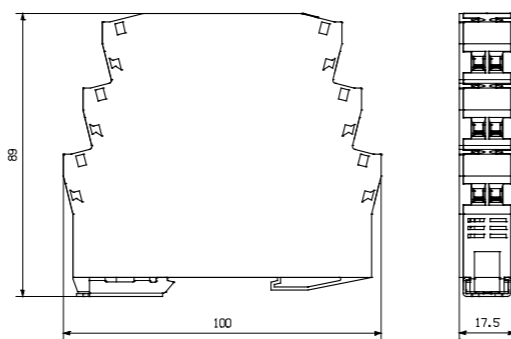
- 连续工作温度: -20℃~+60℃
- 贮存温度: -40℃~+85℃
- 相对湿度: 5%~95%RH
- 仪表结构: EPAK
- 重量: 约110g

### ■ 接线

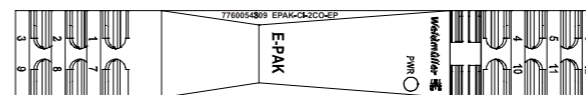


### ■ 外形尺寸图

外形尺寸(深X高X宽): 100mmX89mmX17.5mm

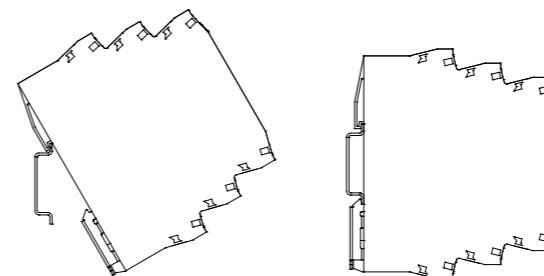


### ■ 前面板示意图和端子号定义



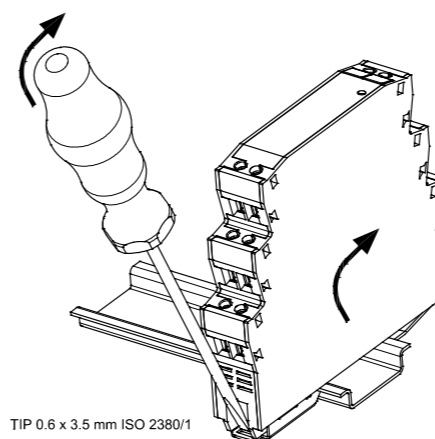
### ■ 安装

隔离器应安装在合适的工作场所, 同时遵守关于工业安全的相关规定。EPAK系列隔离器均采用DIN35mm导轨安装方式。安装步骤如下把仪表上端卡在导轨上, 将仪表下端推进导轨。



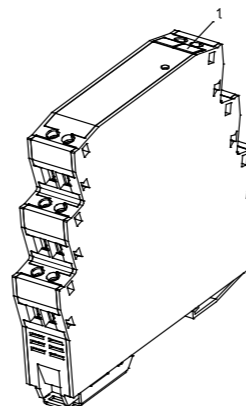
### ■ 拆卸

隔离器从导轨上卸下时必须按下图顺序用一字螺丝刀插入长脚。转动螺丝刀同时将隔离器从导轨上取下。严禁强行从导轨上拔下, 这样容易使长脚断裂。



### ■ 位号

隔离器的前面板上靠上部有单独的位号标签, 可以标记相应的标示。



### ■ 维护

- (1) 隔离器进行通电调试前, 必须再次检查隔离器的型号是否与设计和使用环境相符, 必须再次检查输入侧与输出侧的接线以及它们电源和信号的极性是否正确;
- (2) 建议选择具备输出短路保护的供电电源;
- (3) 一般电子产品在上电十五分钟后内部温度达到稳定;
- (4) 严禁用兆欧表测试隔离器端子之间的绝缘性。若要检查系统线路绝缘性时, 应先断开全部隔离器接线, 否则会引起内部元器件的烧损;
- (5) 产品在出厂前均经过严格检验和质量控制, 如发现工作不正常, 怀疑内部模块有故障, 请及时同最近的代理商或直接与本公司技术支持热线联系;
- (6) 产品从发货之日起十二个月以内, 正常使用过程中出现产品质量问题均由本公司免费维修。

Weidmüller Interface GmbH Klingenbergstr.16  
32758 Detmold  
Germany

魏德米勒电联接(上海)有限公司  
地址: 上海市裕通路100号宝矿国际商务中心25楼 邮编: 200070  
电话: +86 21 2219-5008  
传真: +86 21 2219-5009  
www.weidmueller.com