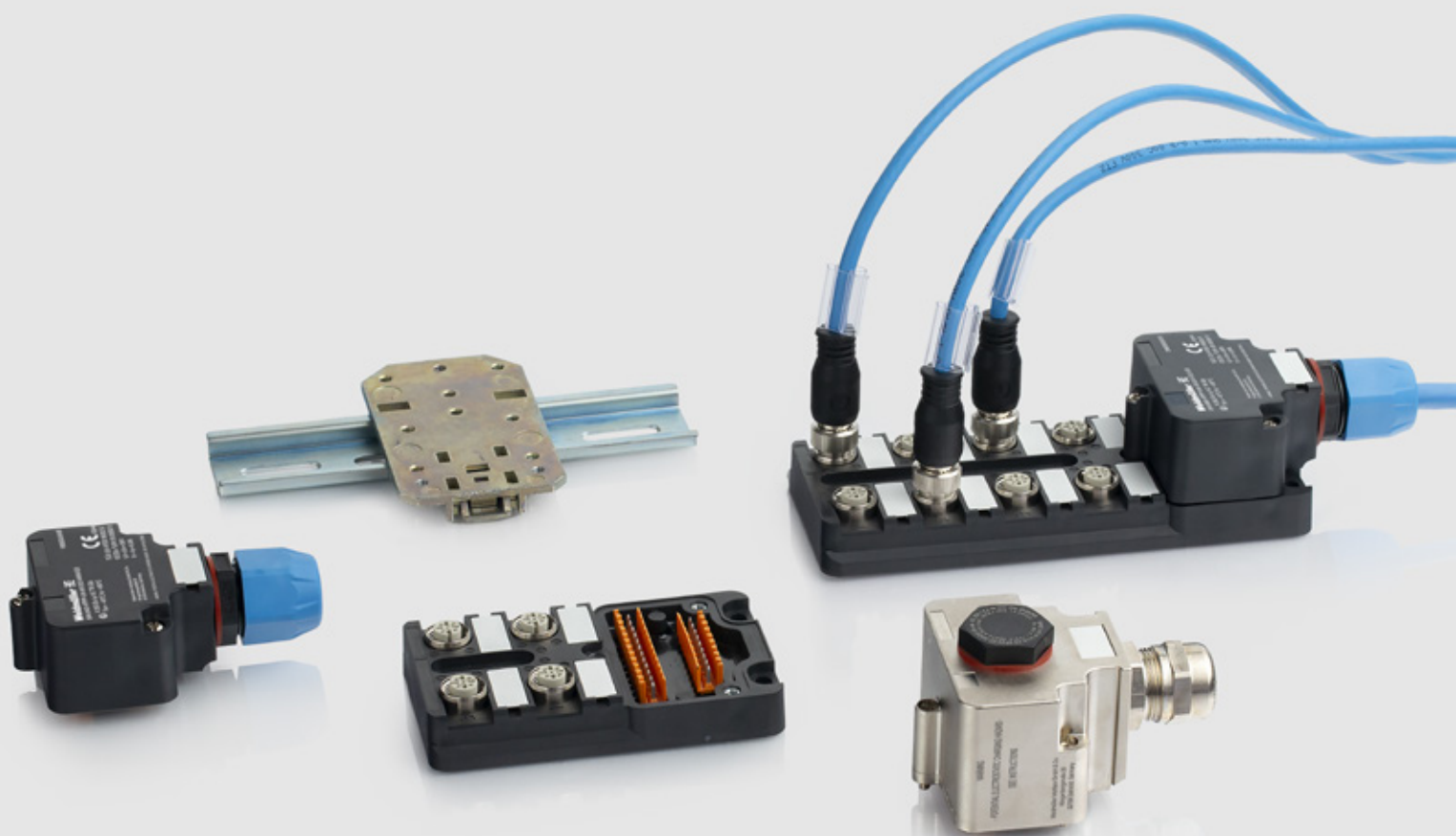


Passive Distribution Boxes

## Standardised sensor wiring in Ex-protected areas

M12 – Distribution Boxes with ATEX and IECEx approval



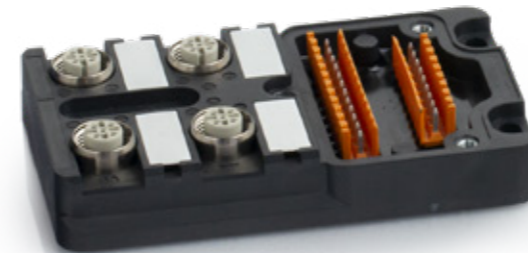
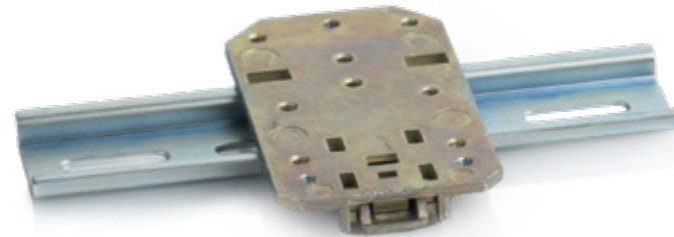
# M12 EX - Distribution Boxes with ATEX and IECEx approval

## Standardised wiring of sensors in explosion-protected areas

Our new M12 EX Distribution Boxes bundle signals, minimise wiring effort and speed up work processes. A basic requirement for efficient automation, where more and more actuators have to be wired in the field.

The M12 EX Distribution Boxes are ATEX- and IECEx-approved. They are used in explosion-protected areas for the transmission of intrinsically safe circuits up to and including Zone 1. With the integrated PUSH IN connection, they enable particularly fast, safe and efficient cabling in the field. The different wiring variants enable the transmission of up to eight different intrinsically safe circuits.

**Standardised distribution boxes for explosion-protected areas**  
The M12 EX Distribution Boxes are already equipped with Ex approvals. There is no need for individual approval, which simplifies installation and commissioning in potentially explosive environments.



**Quick and easy**  
Our new M12 EX Distribution Boxes are much more compact and quicker to install than the typical wiring in explosion-protected areas with terminal boxes.

**PUSH IN connection technology**  
With the help of socket connectors with PUSH IN connection technology, the single wires can be connected quickly and securely both with and without ferrules. This saves you valuable cabling time.



**Three different wiring variants**  
In addition to the standard wiring of passive distribution boxes, our new M12 EX Distribution Boxes offer solutions for two-wire wiring and an option for a 1:1 distribution box in which each pin is connected individually.

**1:1  
Namur  
Standard-PNP  
4-20 mA current loops**

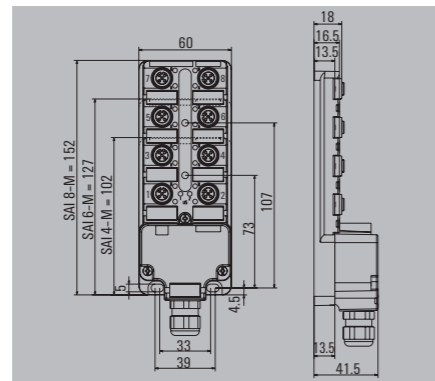
**Plastic and zinc diecast hood**  
As standard, we offer passive distribution boxes with a plastic hood (PBT). If there is not enough space inside the hood, you can also choose a version with a die-cast zinc hood. This has a higher design and offers more space for the wiring inside the hood.

EX distribution boxes

- PBT base module
- 2-conductor connection
- Without LEDs
- For Namur sensors or 4-20 mA current loops

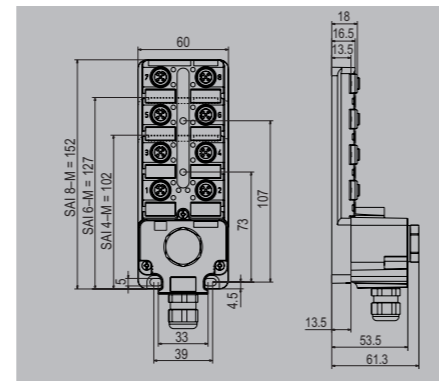
SAI-04/08D

PBT hood



SAI-04/08D

Zinc diecast Hood



Ordering data

2-pole	4 plug-in stations
	8 plug-in stations
Note	

SAI-04/08D

Type	Qty.	M12 Order No.
SAI-04D-VPPP-2A-M120-NAM-EX	1	1868350000
SAI-08D-VPPP-2A-M120-NAM-EX	1	1894380000

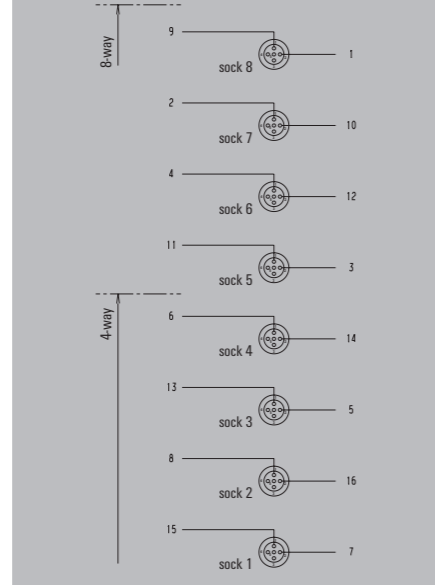
SAI-04/08D

Type	Qty.	M12 Order No.
SAI-04D-VPHP-2A-M120-NAM-EX	1	2921100000
SAI-08D-VPHP-2A-M120-NAM-EX	1	2921120000

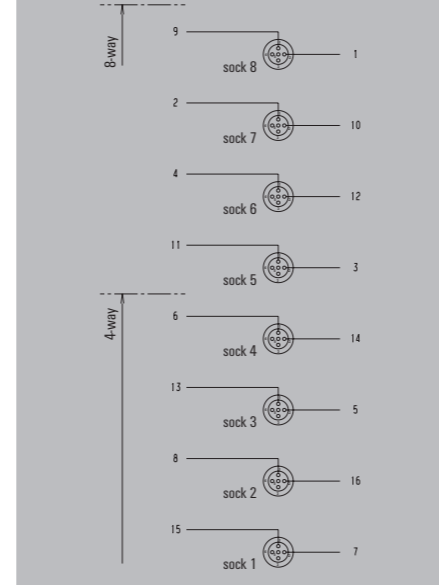
Technical data

Operating voltage	0...30 V
Current per signal	0.8 A
Max. current-carrying capacity per slot	0.8 A
Total current	0.8 A
Pollution severity	3
Protection degree	IP66, IP67
Operating temperature	-40 - 60°C
Housing main material	Pocan
Contact carrier material	PBT (UL 94 V0)
Contact material	CuZn
Screw socket	Nickel-plated CuZn
Housing colour	black (similar to RAL 9005)
Fire behaviour	V-0
Clamping range of hood-version	0.14...1.5 mm <sup>2</sup>
Suitable for dragline cable (fixed cable connection)	No

Dimensioned drawing



Dimensioned drawing

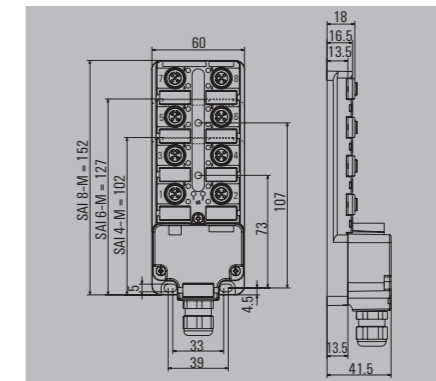


EX distribution boxes

- PBT base module
- 1:1 connection
- Without LEDs

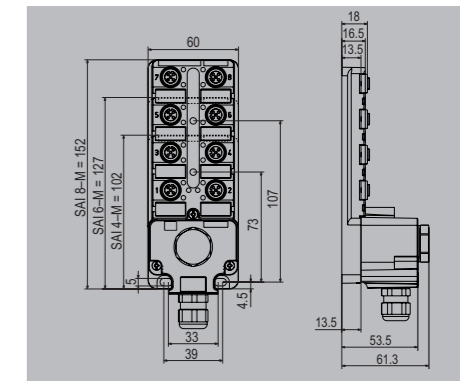
SAI-04D

PBT hood



SAI-04D

Zinc diecast Hood



Ordering data

5-pole	4 plug-in stations
Note	

SAI-04D

Type	Qty.	M12 Order No.
SAI-04D-VPPP-5A-M120-1:1-EX	1	2902950000

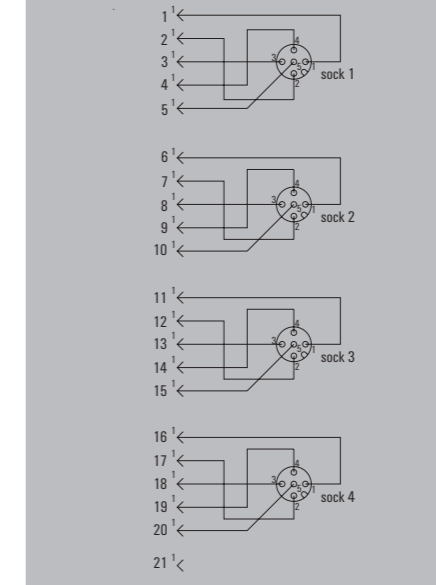
SAI-04D

Type	Qty.	M12 Order No.
SAI-04D-VPHP-5A-M120-1:1-EX	1	2921150000

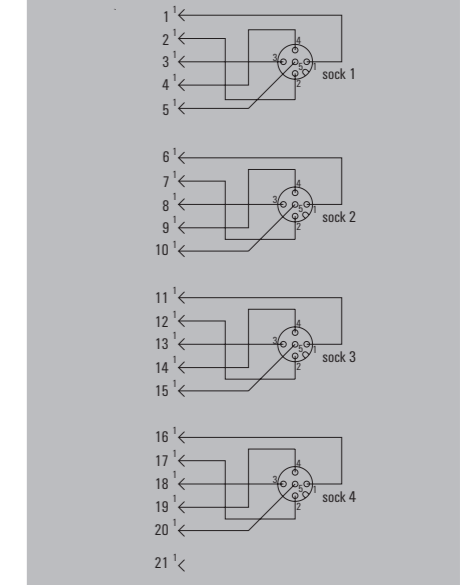
Technical data

Operating voltage	0...30 V
Current per signal	0.8 A
Max. current-carrying capacity per slot	0.8 A
Total current	0.8 A
Pollution severity	3
Protection degree	IP66, IP67
Operating temperature	-40 - 60°C
Housing main material	Pocan
Contact carrier material	PBT (UL 94 V0)
Contact material	CuZn
Screw socket	Nickel-plated CuZn
Housing colour	black (similar to RAL 9005)
Fire behaviour	V-0
Clamping range of hood-version	0.14...1.5 mm <sup>2</sup>
Suitable for dragline cable (fixed cable connection)	No

Dimensioned drawing



Dimensioned drawing



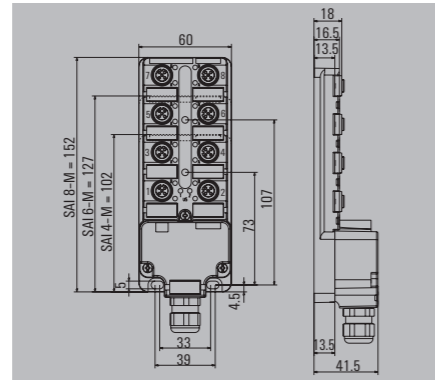
## M12 distribution boxes

### EX distribution boxes

- PBT base module
- PNP switching
- Without LEDs

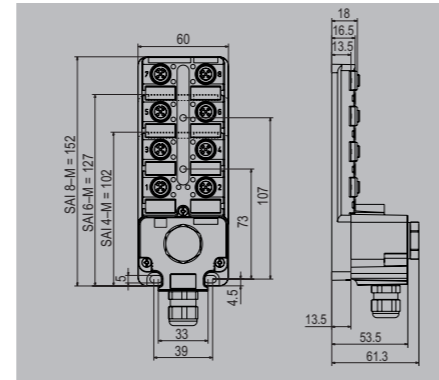
### SAI-04/08D

PBT hood



### SAI-04/08D

Zinc diecast Hood



### Ordering data

5-pole	4 plug-in stations
	8 plug-in stations
Note	

### SAI-04/08D

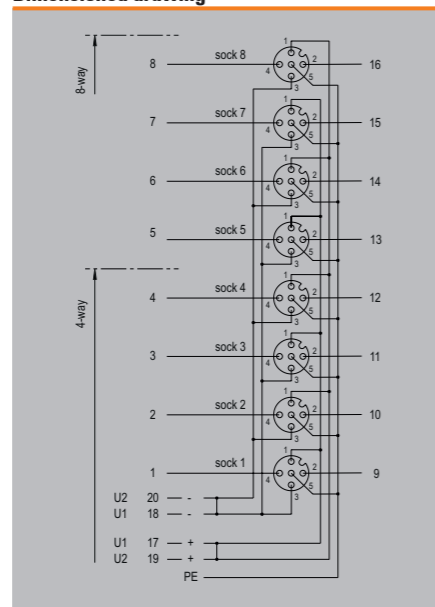
Type	Qty.	M12
SAI-04D-VPPP-5A-M120-0L2-EX	1	2943810000
SAI-08D-VPPP-5A-M120-0L2-EX	1	2902930000

### SAI-04/08D

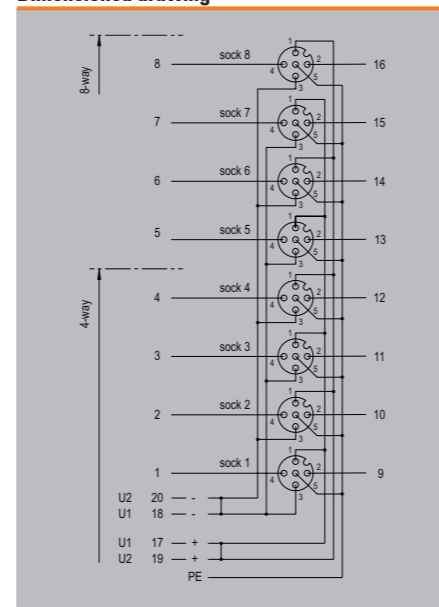
Type	Qty.	M12
SAI-04D-VPHP-5A-M120-0L2-EX	1	2943800000
SAI-08D-VPHP-5A-M120-0L2-EX	1	2921130000

Operating voltage	0...30 V
Current per signal	0.8 A
Max. current-carrying capacity per slot	0.8 A
Total current	0.8 A
Pollution severity	3
Protection degree	IP66, IP67
Operating temperature	-40 - 60°C
Housing main material	Pocan
Contact carrier material	PBT (UL 94 V0)
Contact material	CuZn
Screw socket	Nickel-plated CuZn
Housing colour	black (similar to RAL 9005)
Fire behaviour	V-0
Clamping range of hood-version	0.14...1.5 mm²
Suitable for dragline cable (fixed cable connection)	No

### Dimensioned drawing



### Dimensioned drawing



## **Weidmüller – Your partner in Smart Industrial Connectivity**

As experienced experts we support our customers and partners around the world with products, solutions and services in the industrial environment of power, signal and data. We are at home in their industries and markets and know the technological challenges of tomorrow. We are therefore continuously developing innovative, sustainable and useful solutions for their individual needs. Together we set standards in Smart Industrial Connectivity.

We cannot guarantee that there are no mistakes in the publications or software provided by us to the customer for the purpose of making orders. We try our best to quickly correct errors in our printed media.

All orders are based on our general terms of delivery, which can be reviewed on the websites of our group companies where you place your order. On demand we can also send the general terms of delivery to you.

Weidmüller Interface GmbH & Co. KG  
Klingenbergstraße 26  
32758 Detmold, Germany  
Telefon +49 5231 14-0  
Telefax +49 5231 14-292083  
[www.weidmueller.com](http://www.weidmueller.com)

Personal support can  
be found on our website:  
[www.weidmueller.com/contact](http://www.weidmueller.com/contact)

Made in Germany

08/2024/TDFP1