

Klippon® Relay

## TERMSERIES-compact

Using the all-rounder in a small space



# TERMSERIES-compact

## Using the all-rounder in a small space

### Introduction

To achieve maximum machine and system availability, many relays must also function reliably in environments with strong vibrations. In addition, compact modules for flat control cabinets are required. TERMSERIES-compact fulfils both demands.

The new, ultra-compact complete modules round out the TERMSERIES family. Their relays are integral, which makes them particularly vibration-proof. Due to the slim and, above all, flat design, they can be installed anywhere. And since they have the same contours as the tried-and-tested TERMSERIES, all the accessories of the series can be used – for cross-connections, for example. In this way, comprehensive complete solutions can be realised with the 100 % function-tested relay modules.

<b>TERMSERIES-compact</b> Overview and product benefits of TERMSERIES-compact	04
TERMSERIES-compact electromechanical relays	09
TERMSERIES-compact solid-state relays	10
TERMSERIES-compact fuse	12
TERMSERIES-compact TRAK	14
TERMSERIES-compact multi-voltage input	16
Information of various contact materials	17
TERMSERIES-compact accessories – Interface adapter, Partition plates and markers	18
Functional accessories of the TERMSERIES-compact – Supply terminal	20
Functional accessories of the TERMSERIES-compact – Feed trough terminal	22
Adaptable cross-connection for TERMSERIES-compact	24
Online selection guide	25
Online support and downloads	26

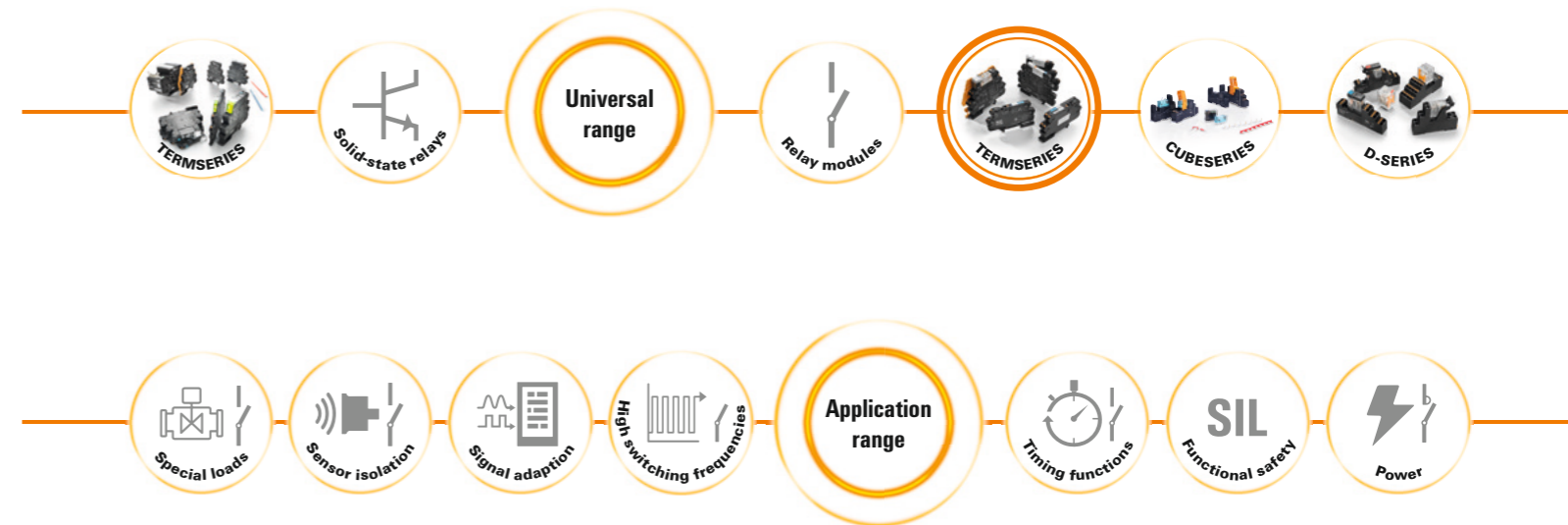
# Solutions for more productivity

## Highly flexible design processes – with Klippon® Relay

For more than 40 years, we have specialised in the optimisation of cabinet infrastructures. Our wide range of relay modules, solid-state relays and additional value-added services combine the highest standards with ultimate quality. Less wiring effort, housing optimisation through space saving, optimal marking and cost reductions – our customers challenges are our motivation.

Our assortment impresses through reliability, longevity and safety. Supplemented by our digital data support, switching load consulting and online selection guides, we support our customers throughout the entire work process – from the planning phase to installation and operation.

In our universal range, you will find an extensive portfolio of relay modules and solid-state relays in various designs.



In our application range, you will find a tailor-made portfolio of products to increase your productivity and safety for various fields of application.



Visit our website for more information  
[www.weidmueller.com/klipponrelay](http://www.weidmueller.com/klipponrelay)

# TERMSERIES-compact

## The All-rounder in terminal based design

**Customised system approach**  
Flexible modular system and compatible with the complete TERMSERIES.

**Clearly identifiable**  
Product part number is readable when installed. Pluggable standard markers can be used.

**Extremely compact**  
Thanks to their compact design of 6.4 mm width and low height, the moduls fit in every low cabinet.

**All-purpose in use**  
TERMSERIES-compact is optional available with the unique 24-230 V AC/DC and 12-60 V AC/DC multi-voltage input.

**Continuous cross-connectors**  
Continuous cross-connection channels increase flexibility and reduce the wiring time at every level.

**Integrated, coloured pushers**  
Large orange pusher for screwdriver with 3,5 mm.

**Closed Design**  
100% vibration-proof thanks to enclosed design.

**Tamper-proof**  
Particularly tamper-proof thanks to permanently installed relays.

**Simple function test**  
Simplified function check thanks to integrated status LED.



**Time-saving**  
Wiring optimized thanks to PUSH IN connection



**Universal**  
Usable in any application



**Ergonomic**  
Black housing with rounded edges



**Space-saving**  
Only 6.4 mm width in the control cabinet



Visit our website for more information  
[www.weidmueller.com/termcompact](http://www.weidmueller.com/termcompact)



To video  
TERMSERIES-compact



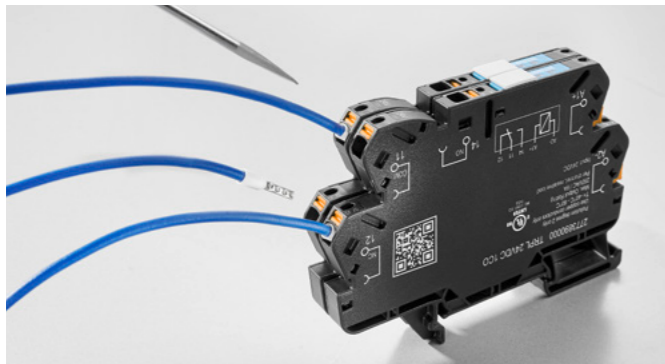
## TERMSERIES-compact

### Universal relay with maximum vibration resistance



#### Particularly space-saving

The compact housing is characterised by a low overall height of only 63 mm. That's why TERMSERIES-compact also fits into flat control cabinets. Due to the narrow design with an overall width of only 6.4 mm, additional space is gained in the control cabinet.



#### Optimised for fast wiring

Due to the proven PUSH IN connection technology, the wiring time is reduced by 75 % compared to conventional connection technologies. If the clamping point has to be released again, a short press with a conventional screwdriver is sufficient.



#### Particularly maintenance-friendly

The integrated test tap on each level allows fast, uncomplicated testing with standard test plugs. This simplifies maintenance and troubleshooting during operation.



#### Clearly identifiable

The respective input voltage type is clearly identifiable by colour accents. Blue = DC, white = UC, red = AC. The article number is located on the coloured surface and can be read at any time, even when installed.

#### Ergonomic and safe

Clearly visible conductor markings and large coloured pushers make work easier and prevent incorrect wiring. The rounded housing corners reduce the risk of injury.



#### 100 % function-tested

The function test carried out at our factory, including a check of the dielectric strength of the inputs and outputs, increases safety and also saves time during installation.



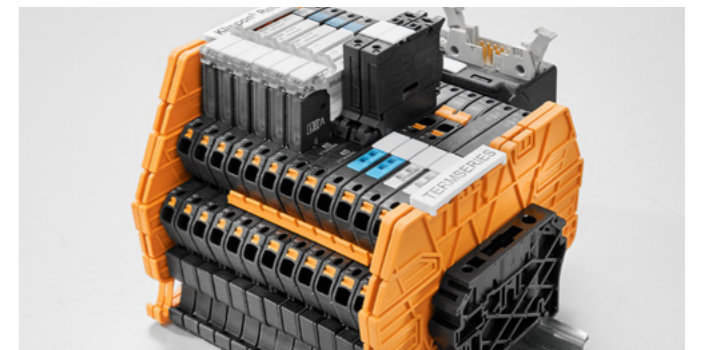
#### Convenient data support

A lasered QR code on the page of each product leads directly to the respective data sheet in the Weidmüller online catalogue. All product information can be conveniently accessed here.



#### Compatible with TERMSERIES products

TERMSERIES-compact is compatible with the products of the large TERMSERIES family. Housings with identical contours, accessories that can be used together and the mirror-symmetrical design allow highly flexible set-ups.



# TERMSERIES-compact

## Universal relay with maximum vibration resistance



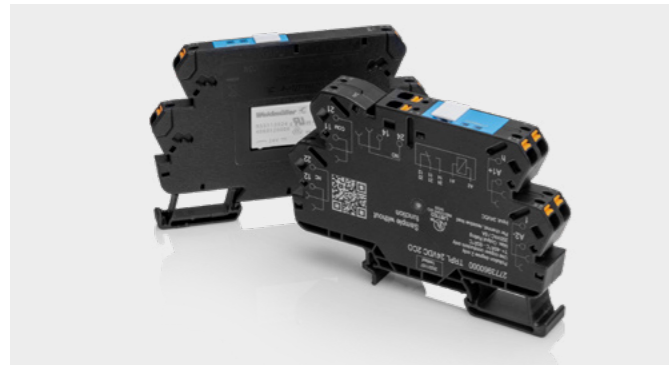
### Reliably identifiable

Pluggable standard markers are used for identification, and the connection designation is easily readable from all directions. The brightly lit status LED enables a quick visual function check, which facilitates maintenance.



### Highly flexible

Continuous cross-connection channels on each connection level ensure maximum flexibility in connection options. This allows for more customised set-ups and saves wiring time at each level.



### Universally applicable

Different versions with one NO contact, one and two CO contact, with electromechanical and solid-state relays, as well as a variety of different input voltages enable a wide range of applications.

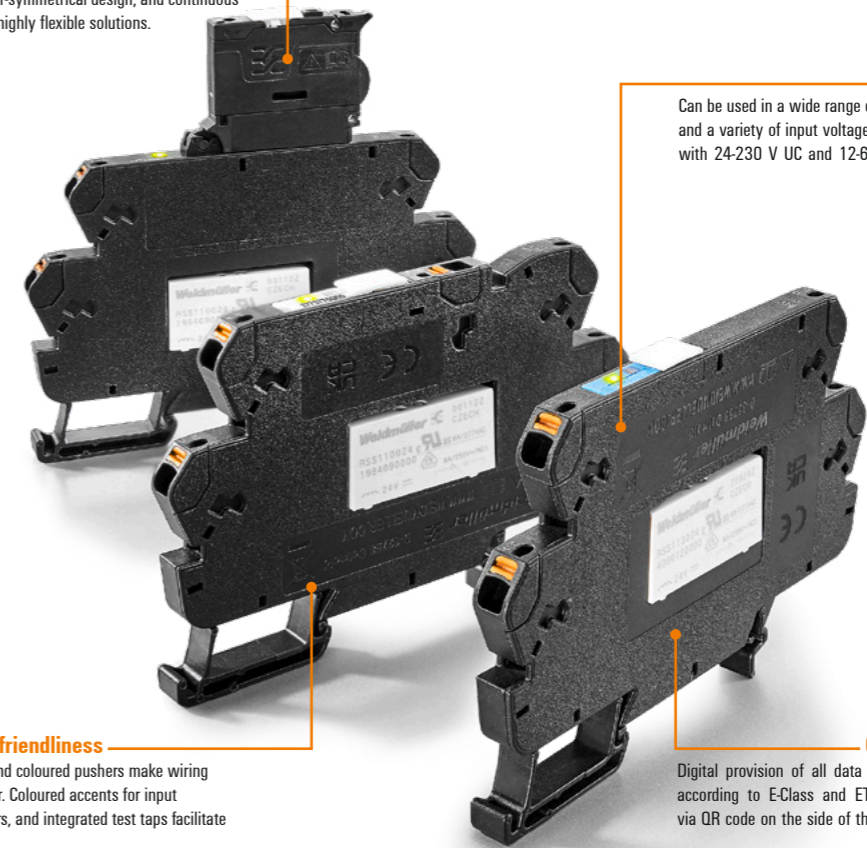


### Support for digital twins

Many planning processes as well as the creation of digital twins are facilitated by the provision of digital data for WMC, Eplan, and CAD as well as tender texts in accordance with E-Class and ETIM standards.

### Perfect completion of the TERMSERIES

With its closed design and depth of only 63 mm, TERMSERIES-compact completes the proven TERMSERIES. Accessories that can be used in common, contour uniformity, mirror-symmetrical design, and continuous cross-connection channels enable highly flexible solutions.



### Universal applicability

Can be used in a wide range of applications thanks to different versions and a variety of input voltages. Multi-voltage input of the TERMSERIES with 24-230 V UC and 12-60 V UC available for the first time in an extremely compact design.

### High efficiency and user-friendliness

PUSH IN connection technology and coloured pushers make wiring 75 % faster and considerably safer. Coloured accents for input voltages, easy-to-read part numbers, and integrated test taps facilitate maintenance.

### Comprehensive digital support

Digital provision of all data for WMC, Eplan, CAD, and tender texts according to E-Class and ETIM standards. Convenient data support via QR code on the side of the enclosure - with link to the data sheet. Support of digital twins.

Type	Control side	Contact type / Version	Load side	Clamping range min./max.	Qty	Order No.
TRPL 5VDC 1NO	5 V DC	1 NO contact	250 V AC / 6 A	0,14 - 2,5 mm <sup>2</sup>	10	2774040000
TRPL 5VDC 1CO	5 V DC	1 CO contact	250 V AC / 6 A	0,14 - 2,5 mm <sup>2</sup>	10	2774030000
TRPL 24VUC 1NO	24 V UC	1 NO contact	250 V AC / 6 A	0,14 - 2,5 mm <sup>2</sup>	10	2773980000
TRPL 24VUC 1CO	24 V UC	1 CO contact	250 V AC / 6 A	0,14 - 2,5 mm <sup>2</sup>	10	2773970000
TRPL 24VDC 1NO	24 V DC	1 NO contact	250 V AC / 6 A	0,14 - 2,5 mm <sup>2</sup>	10	2773920000
TRPL 24VDC 1CO	24 V DC	1 CO contact	250 V AC / 6 A	0,14 - 2,5 mm <sup>2</sup>	10	2773890000
TRPL 24-230VUC 1NO	24 - 230 V UC	1 NO contact	250 V AC / 6 A	0,14 - 2,5 mm <sup>2</sup>	10	2773870000
TRPL 24-230VUC 1CO	24 - 230 V UC	1 CO contact	250 V AC / 6 A	0,14 - 2,5 mm <sup>2</sup>	10	2773860000
TRPL 230VAC 1NO	230 V AC	1 NO contact	250 V AC / 6 A	0,14 - 2,5 mm <sup>2</sup>	10	2773840000
TRPL 230VAC 1CO	230 V AC	1 CO contact	250 V AC / 6 A	0,14 - 2,5 mm <sup>2</sup>	10	2773830000
TRPL 120VAC 1NO	120 V AC	1 NO contact	250 V AC / 6 A	0,14 - 2,5 mm <sup>2</sup>	10	2773810000
TRPL 120VAC 1CO	120 V AC	1 CO contact	250 V AC / 6 A	0,14 - 2,5 mm <sup>2</sup>	10	2773800000
TRPL 12-60VUC 1NO	12 - 60 V UC	1 NO contact	250 V AC / 6 A	0,14 - 2,5 mm <sup>2</sup>	10	2773780000
TRPL 12-60VUC 1CO	12 - 60 V UC	1 CO contact	250 V AC / 6 A	0,14 - 2,5 mm <sup>2</sup>	10	2773770000



Visit our online catalogue for more information

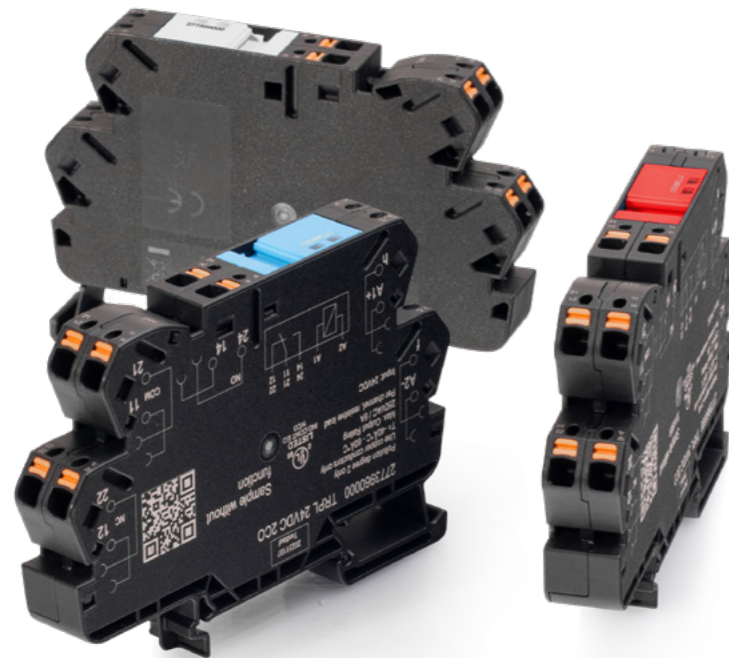
## TERMSERIES-compact 2 CO

### Relay modules with two outputs

#### Compact. Versatile. Vibration-resistant.

The new TERMSERIES-compact relay modules with 2 changeover contacts set new standards in functionality and design. Two parallel single relays ensure reliable switching – even in environments with strong vibrations. With a width of just 12.8 mm and a depth of 63 mm, they fit perfectly into flat control cabinets and tight installation spaces. They are fully compatible with the proven TERMSERIES-family accessory range. For maximum availability and flexible system solutions.

Type	Control side	Contact type / Version	Load side	Clamping range min./max.	Qty	Order No.
TRPL 5VDC 2CO	5 V DC	2 CO contact	250 V AC / 6 A	0,14 - 2,5 mm <sup>2</sup>	10	2774050000
TRPL 24VUC 2CO	24 V UC	2 CO contact	250 V AC / 6 A	0,14 - 2,5 mm <sup>2</sup>	10	2773990000
TRPL 24VDC 2CO	24 V DC	2 CO contact	250 V AC / 6 A	0,14 - 2,5 mm <sup>2</sup>	10	2773960000
TRPL 24-230VUC 2CO	24-230 V UC	2 CO contact	250 V AC / 6 A	0,14 - 2,5 mm <sup>2</sup>	10	2773880000
TRPL 230VAC 2CO	230 V AC	2 CO contact	250 V AC / 6 A	0,14 - 2,5 mm <sup>2</sup>	10	2773850000
TRPL 120VAC 2CO	120 V AC	2 CO contact	250 V AC / 6 A	0,14 - 2,5 mm <sup>2</sup>	10	2773820000
TRPL 12-60VUC 2CO	12-60 V UC	2 CO contact	250 V AC / 6 A	0,14 - 2,5 mm <sup>2</sup>	10	2773790000



## TERMSERIES-compact solid-state relays

### Ideal for switching higher currents and DC voltages up to 10 A

#### Wear-free potential isolation and signal adaptation for higher currents and inductive loads

Maintenance-free and wear-free solid-state relay with integrated electrical isolation are the ideal solution for applications with many switching cycles. TERMSERIES-compact solid-state relays in terminal block format operate wear-free. Users can read out messages from the relay via the PLC. They save space in the control cabinet, reduce service costs and increase system availability. The devices fit into the TERMSERIES portfolio and speed up wiring processes with pre-assembled cables, for example.

The integrated protective circuit for inputs and outputs protects sensitive components in applications with resistive or slightly inductive loads. In the event of overtemperature or overcurrent, the signalling contact sends an error signal to the PLC.

With C1D2 approval, the relay is suitable for potentially explosive atmospheres. Ideal for applications with potentially flammable gases or vapors.

Type	Control side	Contact type / Version	Load side	Clamping range min./max.	Qty	Order No.
TOPH 24VDC 5-48VDC10A	24 V DC	1 NO contact	5-48 V DC / 10 A	0,14 - 2,5 mm <sup>2</sup>	1	2773440000
TOPH 24VDC 5-48VDC10A C1D2	24 V DC	1 NO contact	5-48 V DC / 10 A	0,14 - 2,5 mm <sup>2</sup>	1	2773450000

# TERMSERIES-compact fuse

## Combine switching and protection in one relay

### TERMSERIES-compact with fuse carrier

Relays with integrated fuses are suitable for ensuring the reliable functioning of machines and systems and increasing their availability. In the event of faults, they switch off individual line paths to protect the rest of the system.

TERMSERIES-compact with fuse carrier enables simple and particularly efficient integration of fuses, as no additional terminal block with a fuse is required. This saves time during installation and space in the control cabinet. The fuse must be selected to match the connecting line, and the fuse can be changed while the module is installed. The complete module is 100 % function-tested and particularly vibration-resistant due to built-in relays.

### Your special advantages:

- Space-saving, as no further terminal block with fuse required
- Only 90.9 mm deep
- 1 NO contact variant

### Technical data

#### Input

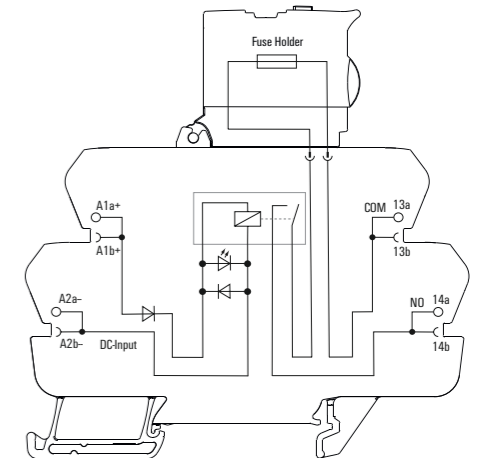
- Rated control voltage: 24 V DC

#### Output

- Contact type: 1 NO contact with fuse AgNi
- Continuous current: 6 A

#### General Data

- 6.4 mm slim design
- Status displays: LED green
- Dimensions (W x H x D): 6.4 x 89.4 x 90.9 mm
- Temperature range: -40 °C to 60 °C



### User-friendly fuse replacement

The swivelling or folding fuse link carrier allows fuses to be changed while installed. The visible separation distance facilitates inspection.

### Optimum cable protection due to selectable fuse to match the connecting cable



### Easy adaptability

The fuse holder is designed for fuses with standard dimensions of 5 x 20 mm. For protection against overcurrent, we offer suitable device protection fuses or miniature fuses from 100 mA to 6.3 A.

### Low space requirement

TERMSERIES-compact combines two functions in one product. Due to the integrated fuse, no additional terminal blocks with fuses are required. This saves space in the control cabinet.

Type	Control side	Contact type	Load side	Clamping range min./max.	Qty	Order No.
TRPL 24VDC 1NO F	24 V DC	1 NO contact with fuse	250 V AC / 6 A	0,14 - 2,5 mm <sup>2</sup>	10	2773930000



Visit our online catalogue for more information

# TERMSERIES-compact TRAK

## Highly vibration-resistant universal relays

### Switch reliably in extreme environment

In trains and on railway lines, electronic components have to withstand strong vibrations, temperature fluctuations and the effects of the weather. In addition, there are high requirements for passenger safety and fire protection.

The ultra-compact TERMSERIES-compact TRAK complete modules comply with the strict standards of the railway industry. Their relays are permanently installed, which makes them particularly vibration-proof. They operate reliably in a temperature range of -40 to +70 °C. Thanks to their slim, flat design, they can be installed anywhere. And since their contours are identical to those of the TERMSERIES, accessories of the series can be used. This means that extremely robust solutions can be realised.

### Your special advantages:

- Developed according to the strict railway standards EN 50155, EN 61373 and EN 45545-2
- Resistant to voltage and temperature fluctuations
- Insensitive to shocks and vibrations (Category 1B)

### Particularly flexible and user-friendly

Continuous cross-connection channels enable flexible and particularly time-saving wiring. The bright status LED enables a quick visual function check.

### Highly efficient and safe

PUSH IN connection technology makes wiring considerably safer and 75 % faster. Easy-to-read part numbers as well as integrated test taps on each level facilitate maintenance.



### Extremely robust and reliable

TERMSERIES-compact TRAK is vibration-resistant according to EN 61373 (category 1 class B) and tolerates voltage fluctuations of -30 to +25 % as well as voltage interruptions in the input of up to 10 ms. The temperature resistance of -40 to +70 °C is even higher than required by EN 50155 (-25 to +70 °C).

V0 certified according EN 45545



2-pole and 10-pole cross connectors are also approved for railway applications



Visit our online catalogue for more information

### Technical data

#### Input

- Rated control voltage: 24 V DC  
24 - 110 V DC  
48 - 110 V DC

#### Output

- Contact type: 24 V DC: 1 NO AgNi, 1 CO AgNi, 1 CO AgSnO2  
48 - 110 V DC: 1 NO AgNi, 1 CO AgNi, 1 CO AgSnO2  
5 - 110 V DC: 1 NO with Solid-state output
- Continuous current: 24 V DC: 6 A  
48 - 110 V DC: 6 A  
5 - 110 V DC: 0.25 A

#### Input voltage

- higher tolerance -30% +25%

#### Voltage interruption

- Interruption class S2 (10ms)

#### Higher temperature

- Operating temperature OT4 (-40°C - +70°C)

#### Fire protection

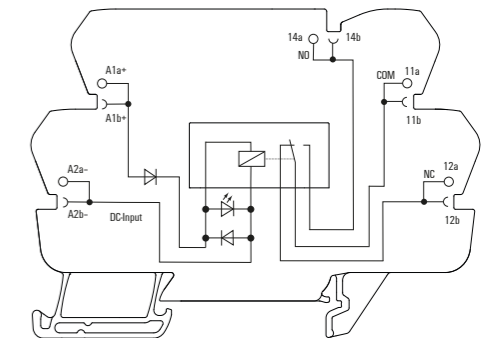
- R26 / V0 material

#### Classes for increased operating temperature when switched on

- ST1 (OTx +15°C)

#### General Data

- 6.4 mm slim design
- Status displays: LED green
- Dimensions (W x H x D): 6.4 x 89.4 x 62.5 mm



Type	Control side	Contact type / Version	Load side	Clamping range min./max.	Qty	Order No.
TRPL 24VDC 1NO TRAK	24 V DC	1 NO	250 V AC / 6 A	0,14 - 2,5 mm <sup>2</sup>	10	2773940000
TRPL 24VDC 1CO TRAK	24 V DC	1 CO	250 V AC / 6 A	0,14 - 2,5 mm <sup>2</sup>	10	2773910000
TRPL 24VDC 1CO AU TRAK	24 V DC	1 CO / with gold contacts	250 V AC / 6 A	0,14 - 2,5 mm <sup>2</sup>	10	2773900000
TRPL 48-110VDC 1NO TRAK	48 - 110 V DC	1 NO	250 V AC / 6 A	0,14 - 2,5 mm <sup>2</sup>	10	2774020000
TRPL 48-110VDC 1CO TRAK	48 - 110 VDC	1 CO	250 V AC / 6 A	0,14 - 2,5 mm <sup>2</sup>	10	2774010000
TRPL 48-110VDC 1CO AU TRAK	48 - 110 V DC	1 CO / with gold contacts	250 V AC / 6 A	0,14 - 2,5 mm <sup>2</sup>	10	2774000000
TOPL 24-110VDC 5-110VDC0.02A TRAK	24 - 110 V DC	1 NO / Solid-state output	5 - 110 V DC / 0.02 A	0,14 - 2,5 mm <sup>2</sup>	10	2773600000



TRAK stands for Weidmüller's railway-approved relay modules. TERMSERIES-compact TRAK modules are versatile and also tested for industrial applications in accordance with EN 61010-2-201. They impress with their high load capacity – resistant to heat, vibrations, and voltage tolerances. Whether in trains or in production: TRAK stands for reliable performance.

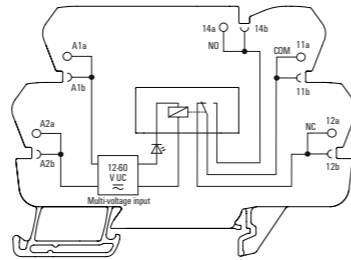
## Unique multi-voltage input

### Always optimally adapted to your automation

#### Relay modules with universal input voltage range for all power systems

Relay modules are used in many industries and applications for isolation and amplification. However, due to the different mains voltages worldwide, cabinet manufacturers must have many different relays for different input voltages in stock. The unique multi-voltage inputs of the TERMSERIES-compact significantly reduces the number of required variants.

Therefore Weidmüller has two multi voltage input modules in the TERMSERIES-compact family. The wide range input voltage between 24 and 230 V UC enables worldwide use in a wide variety of power systems. The second multi voltage input range is between 12 and 60 V UC that enable a use in a wide variety of signal applications. TERMSERIES relay modules with multi-voltage input can be used in plant construction as well as for retrofit solutions and are always perfectly adapted to the respective automation solution.



12-60 V UC  
and  
24-230 V UC

#### Your special advantages:

- Two multi voltage inputs for all applications:
  - 24 to 230 V AC and DC
  - 12 to 60 V AC and DC
- Available with PUSH IN connection
- Continuous operation at up to 60 °C ambient temperature in dense packing



Type	Control side	Contact type / Version	Load side	Clamping range min./max.	Qty	Order No.
TRPL 12-60VUC 1CO	12-60 V UC	1 CO contact	250 V AC / 6 A	0,14 mm <sup>2</sup> - 2,5 mm <sup>2</sup>	10	2773770000
TRPL 12-60VUC 1NO	12-60 V UC	1 NO contact	250 V AC / 6 A	0,14 mm <sup>2</sup> - 2,5 mm <sup>2</sup>	10	2773780000
TRPL 24-230VUC 1CO	24-230 V UC	1 CO contact	250 V AC / 6 A	0,14 mm <sup>2</sup> - 2,5 mm <sup>2</sup>	10	2773860000
TRPL 24-230VUC 1NO	24-230 V UC	1 NO contact	250 V AC / 6 A	0,14 mm <sup>2</sup> - 2,5 mm <sup>2</sup>	10	2773870000
TRPL 24-230VUC 2CO	24-230 V UC	2 CO contact	250 V AC / 6 A	0,14 mm <sup>2</sup> - 2,5 mm <sup>2</sup>	10	2773880000

## Select contact materials suitable for the application

### Information of various contact materials

Relay modules are used in a wide variety of industrial areas and environments. The relays must therefore be adapted to the various tasks by selecting suitable contact materials. The following applies: the load capacity of the contacts for voltage, current, and power depends essentially on the material used. To make the selection easier for you, we have compared the most important characteristics of the contact materials.

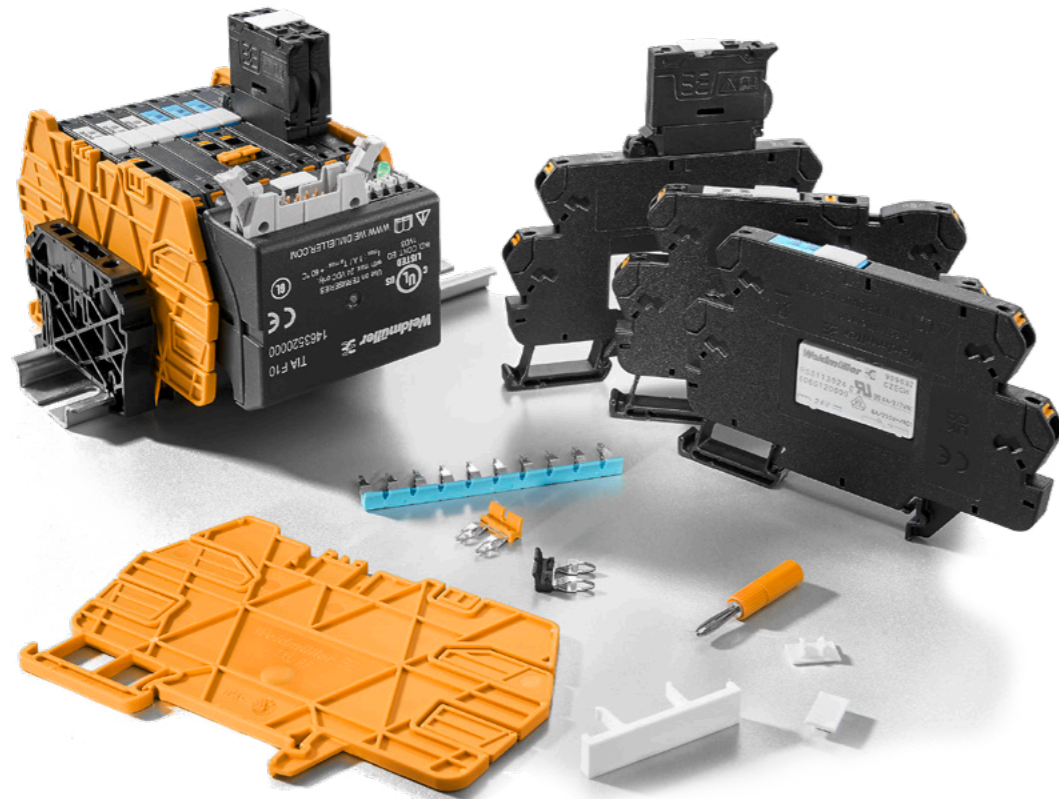
#### Criteria for the selection of the contact material:

- Welding tendency
- Burn-off resistance
- Contact resistance
- Material migration
- Resistance to harmful gas atmospheres



Please obtain information when selecting a relay in this table:

Material	Characteristics	Application
<b>AgNi</b> Silver-nickel	<ul style="list-style-type: none"> <li>• Higher welding tendency than AgSnO</li> <li>• High burn-off resistance</li> <li>• Lower contact resistance than AgSnO</li> <li>• Mean material migration</li> <li>• Low resistance to harmful gas atmospheres</li> </ul>	<ul style="list-style-type: none"> <li>• Suitable for low to high resistive and low inductive loads (solenoid valves, fans, heaters)</li> <li>• Standard contact material for a variety of relays</li> <li>• Limited suitable for high inrush currents</li> <li>• Suitable for loads &gt; 12 V/10 mA or 5 V/100 mA</li> </ul>
<b>AgNi Au</b> Silver-nickel hard gold plated	<ul style="list-style-type: none"> <li>• Very low resistance to burn-off</li> <li>• Lowest contact resistance</li> <li>• High resistance to harmful gas atmospheres</li> </ul>	<ul style="list-style-type: none"> <li>• Suitable for decoupling control inputs and other small resistive loads</li> <li>• Suitable for loads &gt; 1 V/1 mA and &lt; 30 V/10 mA</li> <li>• After switching loads &gt; 30 V/100 mA, small powers can no longer be switched reliably because the hard gold plating has been burned-off. Only the characteristics of the base contact material AgNi still apply.</li> </ul>
<b>AgSnO</b> Silver-Tin-Oxide	<ul style="list-style-type: none"> <li>• Lower welding tendency than AgNi</li> <li>• High resistance to burn-off</li> <li>• Average contact resistance</li> <li>• Lower material migration than AgNi</li> <li>• Very low resistance to harmful gas atmospheres</li> </ul>	<ul style="list-style-type: none"> <li>• Suitable for medium to high resistive DC-loads and low up to medium inductive DC loads due to low material migration. Thanks to the low tendency to weld, it is also well suited for loads with higher inrush currents such as lamp loads, light capacitive loads, fluorescent tubes, etc.</li> <li>• Suitable for loads &gt; 12 V/100 mA</li> </ul>



## TERMSERIES-compact accessories

### Increase productivity in control cabinet wiring

#### Precisely fitting accessories for TERMSERIES-compact

With TERMSERIES-compact, the well-proven TERMSERIES is extended by a particularly space-saving and vibration-proof variant. In addition to the compatible TERMSERIES accessories, the custom-fit range of accessories makes daily work easier.

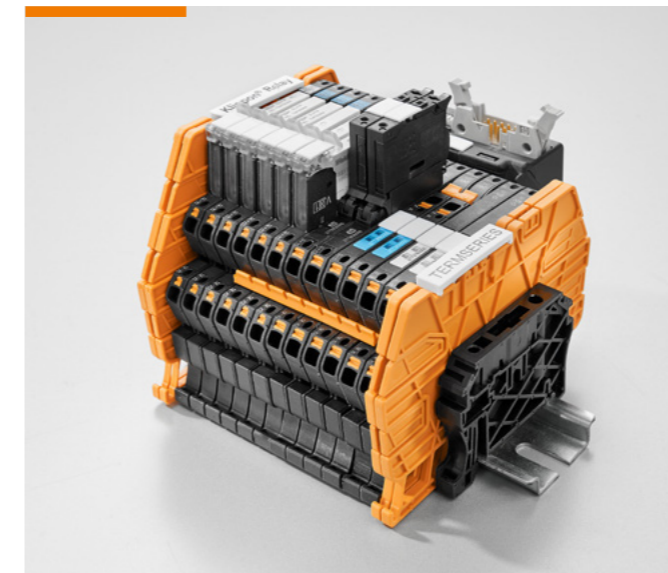
To simplify and optimise wiring processes, special feed-in terminals, feed-through terminals, and partition plates have been developed for TERMSERIES-compact. The new feed-in and feed-through terminals increase flexibility in potential distribution and simplify wiring. The height of the partition plates has been adapted to the flatter format of TERMSERIES-compact. They facilitate the structured installation of the relays as well as the separation of different voltage ranges.

#### Interface adapters

##### Faster signal wiring with less space

To reduce wiring times, pre-assembled cables are used between the control system and the interface level and are simply connected to the TERMSERIES adapter. This enables throughput times in electrical cabinet building to be significantly reduced. The adapter has a universal fit and offers a genuine space advantage in interaction with the TERMSERIES and TERMSERIES-compact products with identical contours.

Type	Version	Qty	Order No.
TIA F10	Adapter	1	1463520000
TIA SUBD 15S	Adapter	1	1463530000
TIAL F10	Adapter	1	1463540000
TIAL F20	Adapter	1	1463550000



#### Partition plates

With the precisely fitting partitions, signals can be grouped visually, assemblies can be galvanically separated or clearly arranged labels can be added. Perforations allow cross-connection channels to be broken out individually.

Type	Version	Qty	Order No.
TXL PP	Partition plate	10	2774090000
TW TXS/TXZ R3.2	Partition plate	10	1240800000



#### Markers

To identify and label the products in the customers application Weidmüller standard markers are usable.

Type	Version	Qty	Order No.
WS 10/6 M MC NE WS	Markers	600	1818400000
WS 12/6 MM WS	Markers	600	2007200000

# Supply terminal

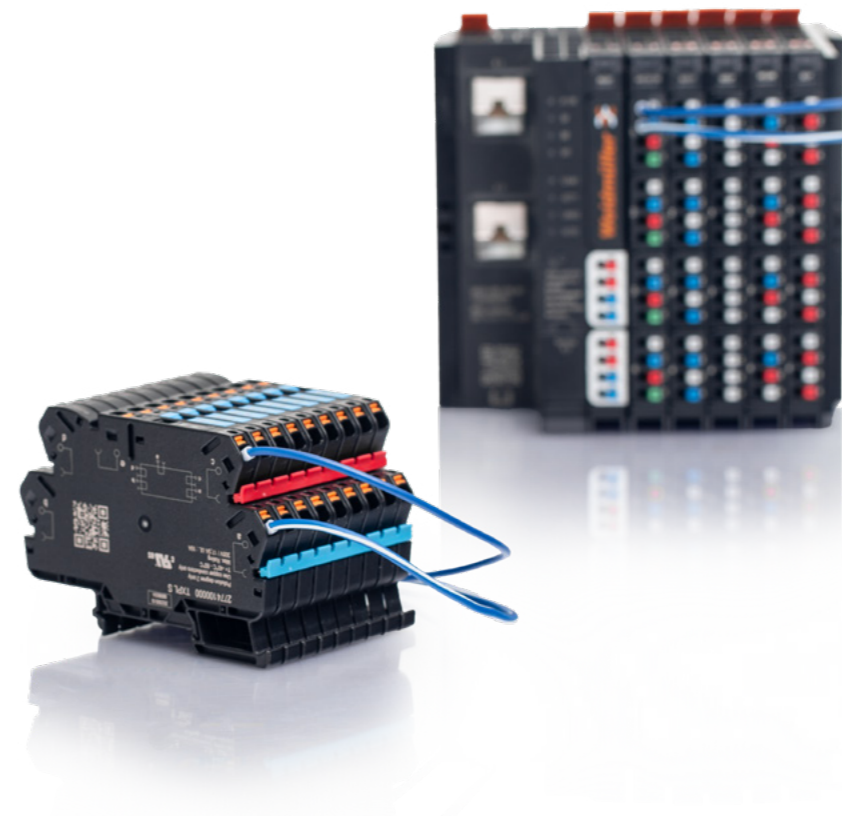
## Functional accessories of the TERMSERIES-compact

### Space-saving feed-in terminals

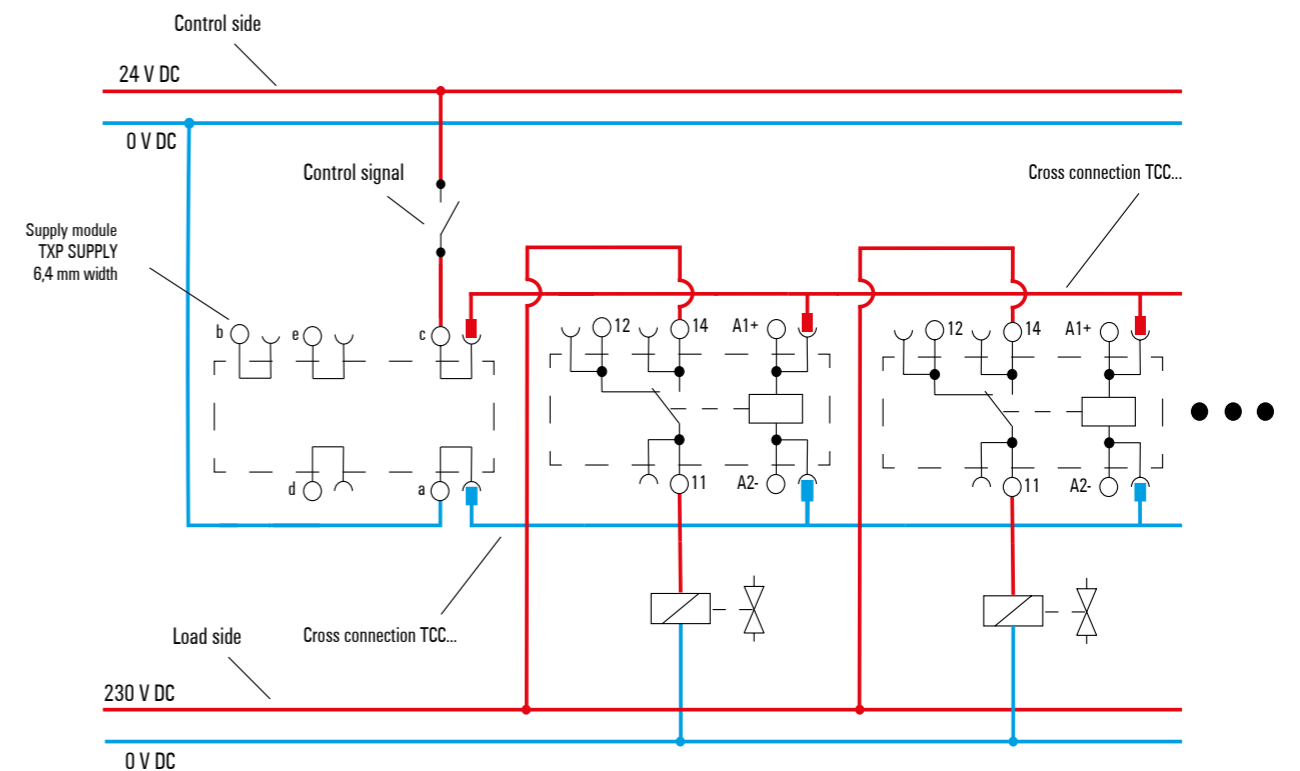
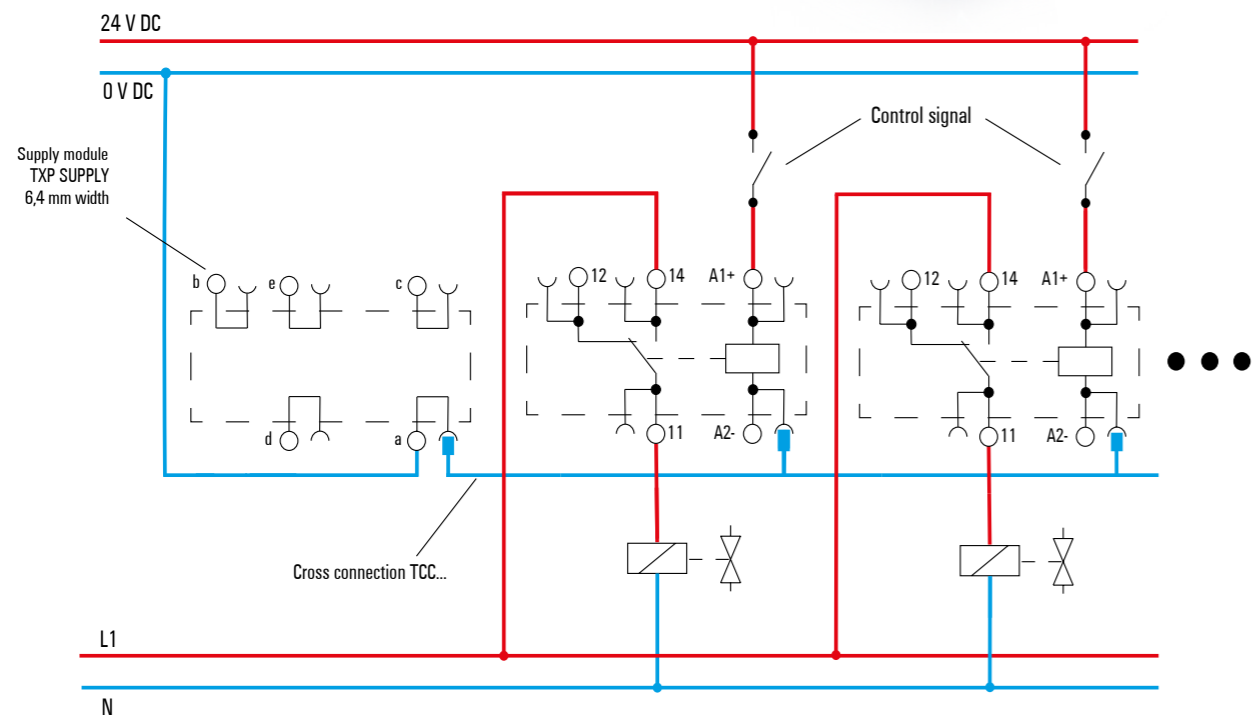
For feed-in of neutral or negative potentials at the input or switched potentials at the output. Same shape as the relay modules and therefore usable for example with the cross-connection which makes the wiring looks cleaner then with wires and a terminal block.

Type	Version	Clamping range min. / max.	Qty	Order No.
TXPL S	Supply terminal	0,14 - 2,5 mm <sup>2</sup>	1	2774100000
TXPH S	Supply terminal	0,14 - 2,5 mm <sup>2</sup>	1	2774070000

This configuration uses cross-connection technology to reduce the amount of feed-in neutral wires, saving time and costs. Your cabinet will look cleaner and more manageable to maintain for the technician onsite for the cabinet.



This configuration uses cross-connection technology to reduce the amount of feed-in power wires, saving time and costs. This creates a multiple changeover functionality with just one input signal, in this case eight relays can be switched with just one input change. This simplified design allows for easy maintenance and clean design for your cabinet.



# Feed trough terminal

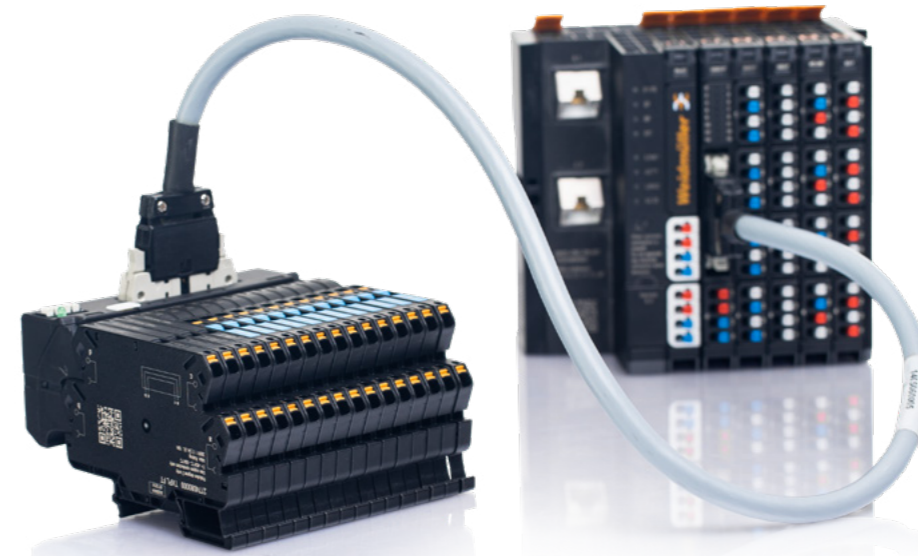
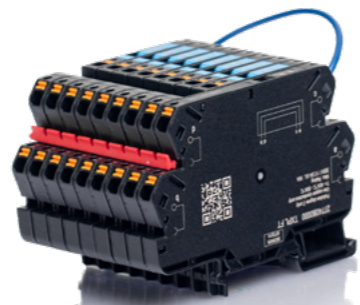
## Functional accessories of the TERMSERIES-compact

### Precision-fit feed-through terminals

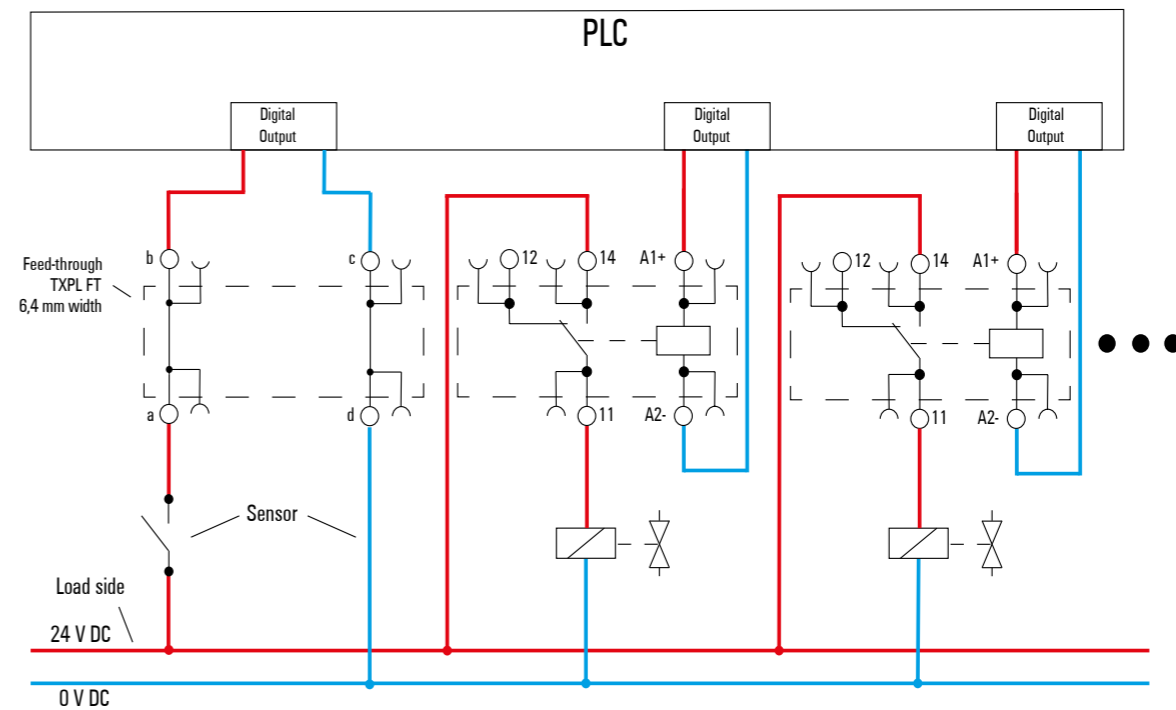
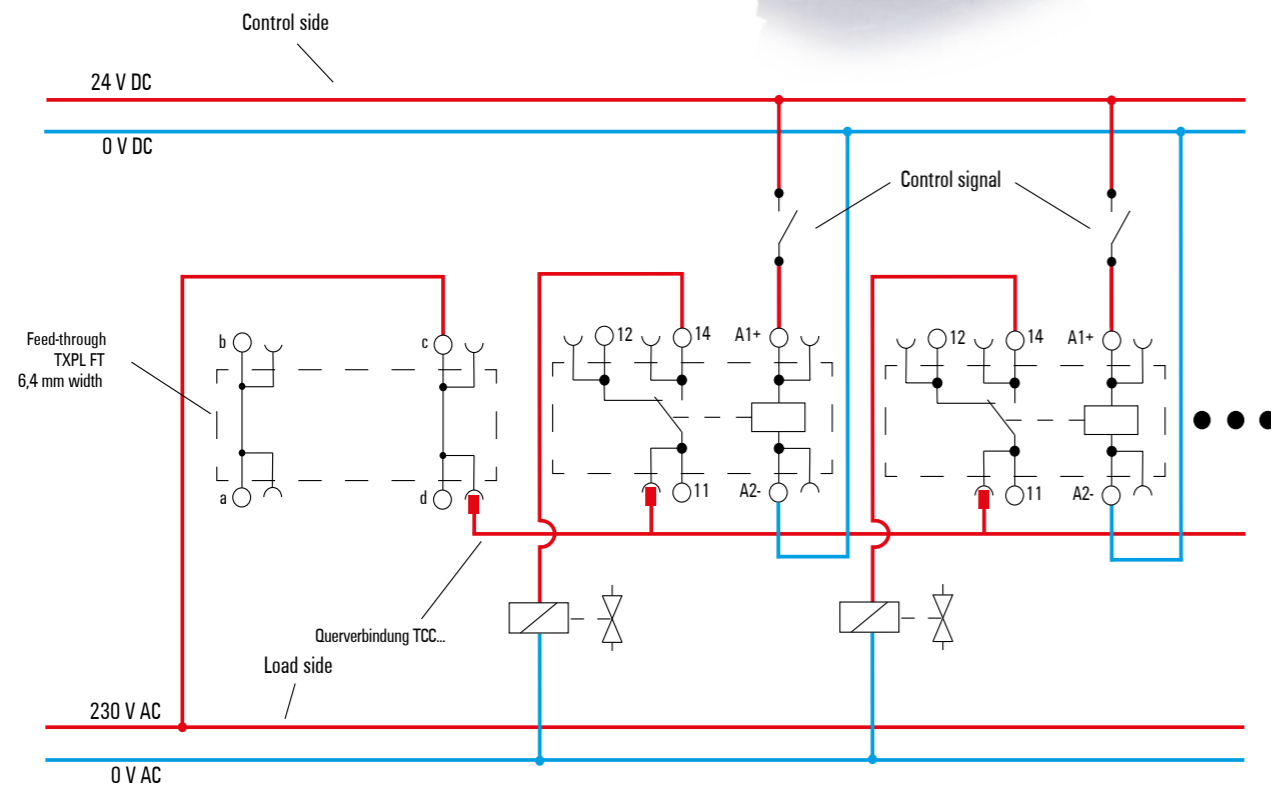
The precisely fitting terminals enable potentials to be brought from the control side to the load side and vice versa. Due to the compatibility with the TERMSERIES, there is a uniform test system with a standardised test tap.

Type	Version	Clamping range min. / max.	Qty	Order No.
TXPL FT	Feed trough terminal	0,14 - 2,5 mm <sup>2</sup>	1	2774080000
TXPH FT	Feed trough terminal	0,14 - 2,5 mm <sup>2</sup>	1	2774060000

This configuration uses cross-connection technology to reduce the wiring time of this feed-through module. The voltage of a power supply can be feed through the relays and from here be further distributed using cross-connection saving time, costs, and wire space for your cabinet.



With help from the TIA adapter the control PLC can directly switch the relays, and parallel signals can be routed past the relays using the feed through module. Wiring your input directly to the PLC saves time and space in your cabinet, allowing for easy maintenance.



## Simple and comfortable cross-connection of compact relay modules

### Adaptable cross-connection for TERMSERIES-compact

Relay modules are used in different industries and applications for isolating and amplifying loads. With the trend towards compact design, slim relays from the TERMSERIES are used, which require a cross-connection option.

With the TERMSERIES CROSS-CONNECTION, we offer more flexibility with regard to the number of poles that can be adapted to the application. The strip material with 51 poles can be shortened as required, which considerably reduces the resulting waste. The maximum number of pluggable poles has been increased to 32 poles. An additional bar in the spring avoids unwanted deformations during the assembly process.

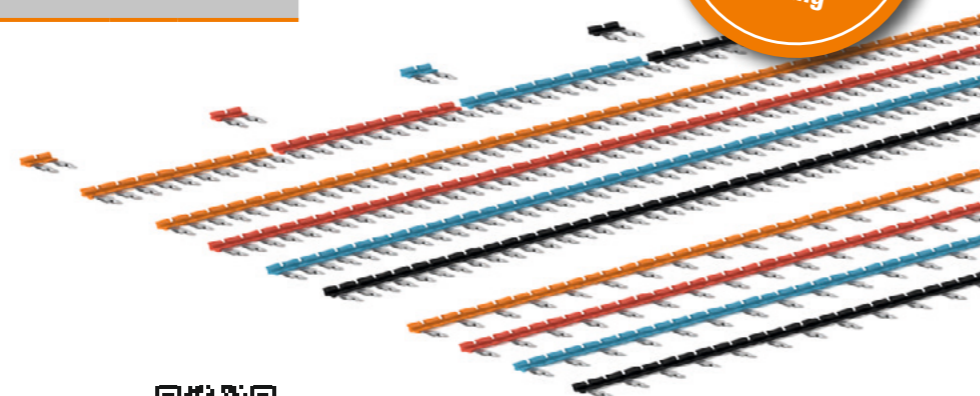
The cross-connection impress with their easy handling, good visibility and universal interconnection possibilities – also via partitions plates. Even PUSH IN, screw and tension clamp variants can be cross-connected to each other.

Type	Colour	No. of poles	Pitch	Qty	Order No.
TCC 6.4/2 BL	●	2	6.4 mm	10	2556430000
TCC 6.4/2 OR	●	2	6.4 mm	10	2556350000
TCC 6.4/2 RD	●	2	6.4 mm	10	2556390000
TCC 6.4/2 BK	●	2	6.4 mm	10	2556470000
TCC 6.4/10 BL	●	10	6.4 mm	10	2556440000
TCC 6.4/10 OR	●	10	6.4 mm	10	2556360000
TCC 6.4/10 RD	●	10	6.4 mm	10	2556400000
TCC 6.4/10 BK	●	10	6.4 mm	10	2556480000
TCC 6.4/51 BL	●	51	6.4 mm	10	2556450000
TCC 6.4/51 OR	●	51	6.4 mm	10	2556370000
TCC 6.4/51 RD	●	51	6.4 mm	10	2556410000
TCC 6.4/51 BK	●	51	6.4 mm	10	2556490000
TCC 12.8/26 BL	●	26	12.8 mm	10	2556460000
TCC 12.8/26 OR	●	26	12.8 mm	10	2556380000
TCC 12.8/26 RD	●	26	12.8 mm	10	2556420000
TCC 12.8/26 BK	●	26	12.8 mm	10	2556500000

#### Your special advantages:

- Individually adjustable cross-connection with 51 poles
- Extended cross-connection possibility up to 32 poles
- An additional bar also supports gripping and mounting without having to reach for the contacts and avoid deformation of the spring
- Shortening of the cross-connection to the required length allowed by notches between the poles, is very simple
- Rated current 17 A

More flexibility through custom cutting



Visit our online catalogue for more information



To video TERMSERIES CROSS-CONNECTION

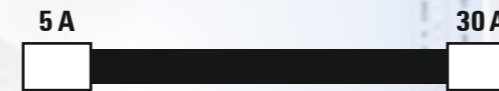
## Switch to simple – with Klippon® Relay

### High-quality relays with unique all-round service

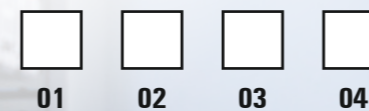
#### 1. Load type



#### 2. Switching current



#### 3. Numbers of output channels



Interactive Selectionguide



Visit our website for more information  
[www.weidmueller.com/switchtosimple](http://www.weidmueller.com/switchtosimple)

# The perfect match in engineering

## Product data and configurator from Weidmüller

We understand data as a digital product from Weidmüller and set standards for our customers – high-quality and reliable, consistent and future-oriented.



### The best data for the best solutions

Data is the basic for time-saving planning and project planning, error-free wiring, simple marking and consistent documentation of your product. More successful through standards: our product data are based on the industry standard eCl@ss. This offers a consistent semantics, which is especially needed for industry 4.0. Get started right away instead of tiresome converting data!

### Faster, better, safe in engineering – the WMC

Configure your required solutions and components simple and convenient with the Weidmüller Configurator and choose from over 10,000 Weidmüller products. The software is cross-platform ready, user-friendly and compatible with all major E-CAD planning tools. Thus, it actively supports you in solving configuration challenges with mounting rails, housings and HDC's.



Visit our website for more information



Scan QR-Code and download the WMC

Weidmüller provides you with all of the data, software tools and interfaces that you need throughout your processes - from electrical and mechanical planning, ordering and production of configured products up to single products. No matter whether for cabinet building, automation, building planning or printed circuit board design: we offer you the solutions that accelerate your processes, tailored to your requirements.



### Engineering

Integrated engineering is the key to efficient product development. This requires a combination of engineering tools that can work together via interfaces and common data formats and sources. High-quality product information is required for planning in engineering systems such as Zuken or EPLAN. Weidmüller makes this information available in all common formats both in the data portals and on the Weidmüller website for you to download.



### Automation and manufacturing support

Engineering data from Weidmüller is based on the industry standard eCl@ss. This ensures both high quality and a depth of data that, together with our „ready-to-robot“ components, allows a high degree of automation. By using and combining such standardized formats as AutomationML and eCl@ss, the result of the integrated engineering - the digital product description - can even be used in production processes.



### Selection guide for electromechanical relay modules

Our selection guide in digital and printed form support you in finding the right relay for safe and reliable switching of different loads:

[www.weidmueller.com/relaysselector](http://www.weidmueller.com/relaysselector)



Download link of the print version

## **Weidmüller – Your partner in Smart Industrial Connectivity**

As experienced experts we support our customers and partners around the world with products, solutions and services in the industrial environment of power, signal and data. We are at home in their industries and markets and know the technological challenges of tomorrow. We are therefore continuously developing innovative, sustainable and useful solutions for their individual needs. Together we set standards in Smart Industrial Connectivity.

We cannot guarantee that there are no mistakes in the publications or software provided by us to the customer for the purpose of making orders. We try our best to quickly correct errors in our printed media.

All orders are based on our general terms of delivery, which can be reviewed on the websites of our group companies where you place your order. On demand we can also send the general terms of delivery to you.

Weidmüller Interface GmbH & Co. KG  
Klingenbergstraße 26  
32758 Detmold, Germany  
T +49 5231 14-0  
F +49 5231 14-292083  
[www.weidmueller.com](http://www.weidmueller.com)

Personal support can  
be found on our website:  
[www.weidmueller.com/contact](http://www.weidmueller.com/contact)

Made in Germany

10/2025/TCDR