

プリント基板用製品 S2C-SMT 3.50、および S2L-SMT 3.50(LF タイプ) のはんだフランジピン用固定フック変更のお知らせ

拝啓

貴社にはご清栄のこととお慶び申し上げます。
平素は格別のお引き立てを賜り、誠にありがとうございます。

この度、プリント基板用製品 S2C-SMT 3.50(LF タイプ)、S2L-SMT 3.50(LF タイプ)のはんだフランジピンを保持する固定フックの形状を変更させていただく事となりました。従来の固定フックは、まれに輸送中などに はんだフランジピンが脱落する事がありましたが、新しい形状の固定フックは、はんだフランジピンを安定して固定することができ、また外力に対しても より堅牢になりました。この変更は現在設計されている基板への影響はありません。また、電氣的仕様、品番、型式、梱包単位、はんだプロファイルなどの変更もございません。

現在、該当製品をご利用中のお客様には、ご面倒をおかけいたしますが、何卒 ご理解いただけますようお願い致します。

敬具

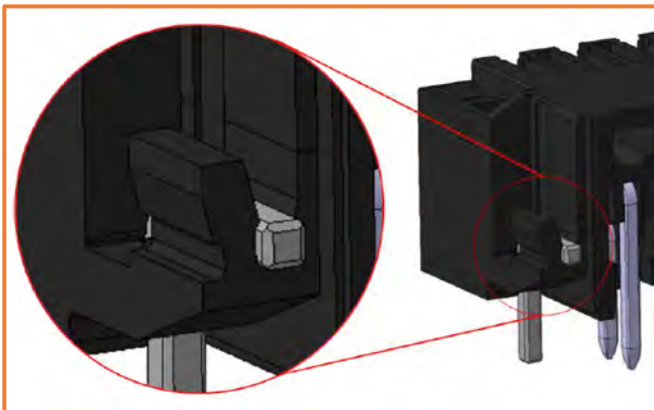
■ 対象製品:

S2C-SMT 3.50(LF タイプ)シリーズ
S2L-SMT 3.50(LF タイプ)シリーズ

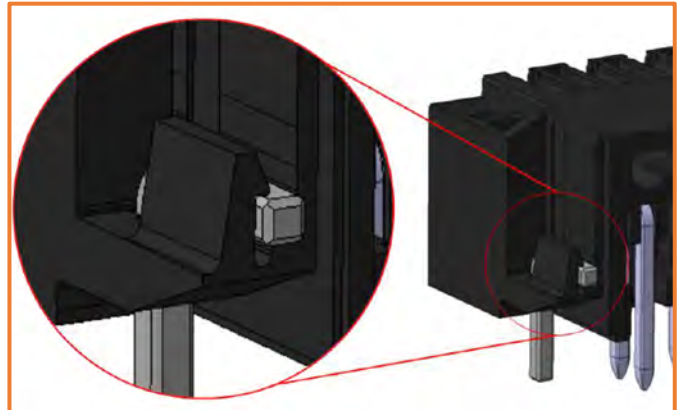
※品番型式の詳細は、次頁以降の“対象製品リスト”をご覧ください。

■ 変更内容:

旧デザインの固定フック形状



新デザインの固定フック形状



■ 対応時期

2023年7月の生産分より順次変更予定

- * 変更時期は在庫状況により製品毎に異なる場合があります。
- * 梱包箱内での新旧の混在は有りません。

■ 対象製品リスト

S2C-SMT3.50_LF シリーズ

品番	型式	品番	型式
1290590000	S2C-SMT 3.50/04/180LF 1.5SN BK BX	2542250000	S2C-SMT 3.50/10/90LF 3.2AU BK BX SO
1358630000	S2C-SMT 3.50/04/180LF 1.5SN BK RL	1289480000	S2C-SMT 3.50/10/90LF 3.2SN BK BX
1290220000	S2C-SMT 3.50/04/180LF 3.5SN BK BX	1358950000	S2C-SMT 3.50/10/90LF 3.2SN BK RL
1358530000	S2C-SMT 3.50/04/180LF 3.5SN BK RL	1290650000	S2C-SMT 3.50/12/180LF 1.5SN BK BX
1289830000	S2C-SMT 3.50/04/90LF 1.5SN BK BX	1358680000	S2C-SMT 3.50/12/180LF 1.5SN BK RL
2441850000	S2C-SMT 3.50/04/90LF 1.5SN BK BX CO	1519940000	S2C-SMT 3.50/12/180LF 3.5AU BK BX
1359080000	S2C-SMT 3.50/04/90LF 1.5SN BK RL	2654880000	S2C-SMT 3.50/12/180LF 3.5AU BK RL
2576570000	S2C-SMT 3.50/04/90LF 1.5SN BK RL CO	1290260000	S2C-SMT 3.50/12/180LF 3.5SN BK BX
2576490000	S2C-SMT 3.50/04/90LF 1.5SN BK RL SO	1358580000	S2C-SMT 3.50/12/180LF 3.5SN BK RL
2508960000	S2C-SMT 3.50/04/90LF 2.3SN BK RL	1289880000	S2C-SMT 3.50/12/90LF 1.5SN BK BX
1289450000	S2C-SMT 3.50/04/90LF 3.2SN BK BX	1359130000	S2C-SMT 3.50/12/90LF 1.5SN BK RL
1358890000	S2C-SMT 3.50/04/90LF 3.2SN BK RL	2579950000	S2C-SMT 3.50/12/90LF 1.5SN BK RL CO
1290610000	S2C-SMT 3.50/06/180LF 1.5SN BK BX	2912760000	S2C-SMT 3.50/12/90LF 1.5SN BK RL CO
1358640000	S2C-SMT 3.50/06/180LF 1.5SN BK RL	2912770000	S2C-SMT 3.50/12/90LF 1.5SN BK RL CO
1519930000	S2C-SMT 3.50/06/180LF 3.5AU BK BX	2509000000	S2C-SMT 3.50/12/90LF 2.3SN BK RL
2654860000	S2C-SMT 3.50/06/180LF 3.5AU BK RL	2654840000	S2C-SMT 3.50/12/90LF 3.2AU BK RL
1290230000	S2C-SMT 3.50/06/180LF 3.5SN BK BX	1289490000	S2C-SMT 3.50/12/90LF 3.2SN BK BX
1358540000	S2C-SMT 3.50/06/180LF 3.5SN BK RL	1358980000	S2C-SMT 3.50/12/90LF 3.2SN BK RL
1289840000	S2C-SMT 3.50/06/90LF 1.5SN BK BX	1290660000	S2C-SMT 3.50/14/180LF 1.5SN BK BX
1359090000	S2C-SMT 3.50/06/90LF 1.5SN BK RL	1358690000	S2C-SMT 3.50/14/180LF 1.5SN BK RL
2508980000	S2C-SMT 3.50/06/90LF 2.3SN BK RL	1290270000	S2C-SMT 3.50/14/180LF 3.5SN BK BX
2654760000	S2C-SMT 3.50/06/90LF 3.2AU BK RL	1358590000	S2C-SMT 3.50/14/180LF 3.5SN BK RL
1289460000	S2C-SMT 3.50/06/90LF 3.2SN BK BX	1289890000	S2C-SMT 3.50/14/90LF 1.5SN BK BX
1358910000	S2C-SMT 3.50/06/90LF 3.2SN BK RL	1359140000	S2C-SMT 3.50/14/90LF 1.5SN BK RL
1290620000	S2C-SMT 3.50/08/180LF 1.5SN BK BX	2576590000	S2C-SMT 3.50/14/90LF 1.5SN BK RL CO
1358650000	S2C-SMT 3.50/08/180LF 1.5SN BK RL	2576580000	S2C-SMT 3.50/14/90LF 1.5SN BK RL SO
2654870000	S2C-SMT 3.50/08/180LF 3.5AU BK RL	2509010000	S2C-SMT 3.50/14/90LF 2.3SN BK RL
1290240000	S2C-SMT 3.50/08/180LF 3.5SN BK BX	2186060000	S2C-SMT 3.50/14/90LF 3.2AU BK BX
1358550000	S2C-SMT 3.50/08/180LF 3.5SN BK RL	1289500000	S2C-SMT 3.50/14/90LF 3.2SN BK BX
1289850000	S2C-SMT 3.50/08/90LF 1.5SN BK BX	1290670000	S2C-SMT 3.50/16/180LF 1.5SN BK BX
1359110000	S2C-SMT 3.50/08/90LF 1.5SN BK RL	1358700000	S2C-SMT 3.50/16/180LF 1.5SN BK RL
2578010000	S2C-SMT 3.50/08/90LF 1.5SN BK RL CO	1290280000	S2C-SMT 3.50/16/180LF 3.5SN BK BX
2578080000	S2C-SMT 3.50/08/90LF 1.5SN BK RL SO	1358600000	S2C-SMT 3.50/16/180LF 3.5SN BK RL
2508990000	S2C-SMT 3.50/08/90LF 2.3SN BK RL	1289910000	S2C-SMT 3.50/16/90LF 1.5SN BK BX
2654830000	S2C-SMT 3.50/08/90LF 3.2AU BK RL	1359150000	S2C-SMT 3.50/16/90LF 1.5SN BK RL
1289470000	S2C-SMT 3.50/08/90LF 3.2SN BK BX	2657230000	S2C-SMT 3.50/16/90LF 1.5SN BK RL SO
1358930000	S2C-SMT 3.50/08/90LF 3.2SN BK RL	2690600000	S2C-SMT 3.50/16/90LF 3.2AU BK BX
2550710000	S2C-SMT 3.50/08/90LF 3.2SN BK TR SO	2539150000	S2C-SMT 3.50/16/90LF 3.2AU BK BX SO
1290640000	S2C-SMT 3.50/10/180LF 1.5SN BK BX	1289510000	S2C-SMT 3.50/16/90LF 3.2SN BK BX
1358670000	S2C-SMT 3.50/10/180LF 1.5SN BK RL	1359030000	S2C-SMT 3.50/16/90LF 3.2SN BK RL
1290250000	S2C-SMT 3.50/10/180LF 3.5SN BK BX	1290680000	S2C-SMT 3.50/18/180LF 1.5SN BK BX
1358570000	S2C-SMT 3.50/10/180LF 3.5SN BK RL	1358710000	S2C-SMT 3.50/18/180LF 1.5SN BK RL
1289870000	S2C-SMT 3.50/10/90LF 1.5SN BK BX	1290290000	S2C-SMT 3.50/18/180LF 3.5SN BK BX
1359120000	S2C-SMT 3.50/10/90LF 1.5SN BK RL	1358610000	S2C-SMT 3.50/18/180LF 3.5SN BK RL

1289930000	S2C-SMT 3.50/18/90LF 1.5SN BK BX	2469500000	S2C-SMT 3.50/26/90LF 1.5SN BK BX CO
1359160000	S2C-SMT 3.50/18/90LF 1.5SN BK RL	1289570000	S2C-SMT 3.50/26/90LF 3.2SN BK BX
1289520000	S2C-SMT 3.50/18/90LF 3.2SN BK BX	2550700000	S2C-SMT 3.50/26/90LF 3.2SN BK TR SO
1359050000	S2C-SMT 3.50/18/90LF 3.2SN BK RL	1290740000	S2C-SMT 3.50/28/180LF 1.5SN BK BX
1290690000	S2C-SMT 3.50/20/180LF 1.5SN BK BX	1290350000	S2C-SMT 3.50/28/180LF 3.5SN BK BX
1358720000	S2C-SMT 3.50/20/180LF 1.5SN BK RL	1289980000	S2C-SMT 3.50/28/90LF 1.5SN BK BX
2654890000	S2C-SMT 3.50/20/180LF 3.5AU BK RL	1289580000	S2C-SMT 3.50/28/90LF 3.2SN BK BX
1290310000	S2C-SMT 3.50/20/180LF 3.5SN BK BX	1290750000	S2C-SMT 3.50/30/180LF 1.5SN BK BX
1358620000	S2C-SMT 3.50/20/180LF 3.5SN BK RL	1290360000	S2C-SMT 3.50/30/180LF 3.5SN BK BX
1289940000	S2C-SMT 3.50/20/90LF 1.5SN BK BX	1289990000	S2C-SMT 3.50/30/90LF 1.5SN BK BX
1359170000	S2C-SMT 3.50/20/90LF 1.5SN BK RL	2860530000	S2C-SMT 3.50/30/90LF 1.5SN BK TR
2654850000	S2C-SMT 3.50/20/90LF 3.2AU BK RL	1289590000	S2C-SMT 3.50/30/90LF 3.2SN BK BX
1289530000	S2C-SMT 3.50/20/90LF 3.2SN BK BX	1290760000	S2C-SMT 3.50/32/180LF 1.5SN BK BX
1359070000	S2C-SMT 3.50/20/90LF 3.2SN BK RL	1290370000	S2C-SMT 3.50/32/180LF 3.5SN BK BX
2639310000	S2C-SMT 3.50/20/90LF 3.2SN BK TR SO	1290000000	S2C-SMT 3.50/32/90LF 1.5SN BK BX
1290710000	S2C-SMT 3.50/22/180LF 1.5SN BK BX	1391350000	S2C-SMT 3.50/32/90LF 1.5SN BK TR
1290320000	S2C-SMT 3.50/22/180LF 3.5SN BK BX	1289600000	S2C-SMT 3.50/32/90LF 3.2SN BK BX
1289950000	S2C-SMT 3.50/22/90LF 1.5SN BK BX	1427930000	S2C-SMT 3.50/32/90LF 3.2SN BK TR
2860520000	S2C-SMT 3.50/22/90LF 1.5SN BK TR	1290770000	S2C-SMT 3.50/34/180LF 1.5SN BK BX
1289540000	S2C-SMT 3.50/22/90LF 3.2SN BK BX	2654280000	S2C-SMT 3.50/34/180LF 3.5AU BK BX
2518290000	S2C-SMT 3.50/22/90LF 3.2SN BK BX CO	1290380000	S2C-SMT 3.50/34/180LF 3.5SN BK BX
2518410000	S2C-SMT 3.50/22/90LF 3.2SN BK RL CO	1290010000	S2C-SMT 3.50/34/90LF 1.5SN BK BX
1290720000	S2C-SMT 3.50/24/180LF 1.5SN BK BX	1289610000	S2C-SMT 3.50/34/90LF 3.2SN BK BX
1290330000	S2C-SMT 3.50/24/180LF 3.5SN BK BX	2593040000	S2C-SMT 3.50/34/90LF 3.2SN BK TR
1289960000	S2C-SMT 3.50/24/90LF 1.5SN BK BX	1290780000	S2C-SMT 3.50/36/180LF 1.5SN BK BX
1289550000	S2C-SMT 3.50/24/90LF 3.2SN BK BX	2654250000	S2C-SMT 3.50/36/180LF 3.5AU BK BX
1290730000	S2C-SMT 3.50/26/180LF 1.5SN BK BX	1290390000	S2C-SMT 3.50/36/180LF 3.5SN BK BX
2431800000	S2C-SMT 3.50/26/180LF 1.5SN BK RL	1290020000	S2C-SMT 3.50/36/90LF 1.5SN BK BX
1290340000	S2C-SMT 3.50/26/180LF 3.5SN BK BX	1391370000	S2C-SMT 3.50/36/90LF 1.5SN BK TR
1289970000	S2C-SMT 3.50/26/90LF 1.5SN BK BX	1289620000	S2C-SMT 3.50/36/90LF 3.2SN BK BX
2469430000	S2C-SMT 3.50/26/90LF 1.5SN BK BX CO	2550690000	S2C-SMT 3.50/36/90LF 3.2SN BK TR SO

S2L-SMT3.50_LF シリーズ

品番	型式	品番	型式
1001300000	S2L-SMT 3.50/04/90LF 3.2SN BK BX	1106190000	S2L-SMT 3.50/36/180LF 1.5SN BK RL
1001310000	S2L-SMT 3.50/04/180LF 3.5SN BK BX	1191420000	S2L-SMT 3.50/08/90LF 3.2AU BK BX
1001340000	S2L-SMT 3.50/04/90LF 3.5AU BK BX	1228140000	S2L-SMT 3.50/14/90LF 3.2AU BK BX
1001350000	S2L-SMT 3.50/04/180LF 3.5AU BK BX	1247040000	S2L-SMT 3.50/16/90LF 3.2SN BK BX TB
1009720000	S2L-SMT 3.50/24/90LF 1.5SN BK BX	1264110000	S2L-SMT 3.50/08/90LFH 1.5SN BK BX
1017160000	S2L-SMT 3.50/10/180LF 1.5SN BK BX	1264120000	S2L-SMT 3.50/24/90LFH 1.5SN BK BX
1017170000	S2L-SMT 3.50/12/180LF 1.5SN BK BX	1304700000	S2L-SMT 3.50/08/180LF 3.5AU BK BX
1017180000	S2L-SMT 3.50/14/180LF 1.5SN BK BX	1304710000	S2L-SMT 3.50/12/180LF 3.5AU BK BX
1017190000	S2L-SMT 3.50/22/180LF 1.5SN BK BX	1346340000	S2L-SMT 3.50/24/180LF 3.5SN BK RL SO
1017210000	S2L-SMT 3.50/24/180LF 1.5SN BK BX	1364130000	S2L-SMT 3.50/06/90LF 3.2AU BK BX
1017220000	S2L-SMT 3.50/28/180LF 1.5SN BK BX	1364140000	S2L-SMT 3.50/12/90LF 3.2AU BK BX

1440870000	S2L-SMT 3.50/10/180LF 3.5SN BK BX SO	1795290000	S2L-SMT 3.50/24/180LF 3.5SN BK BX
1455620000	S2L-SMT 3.50/36/90LF 1.8SN BK BX	1795300000	S2L-SMT 3.50/26/180LF 3.5SN BK BX
1475910000	S2L-SMT 3.50/10/180LF 1.5SN BK RL SO	1795310000	S2L-SMT 3.50/28/180LF 3.5SN BK BX
1475920000	S2L-SMT 3.50/24/180LF 1.5SN BK RL	1795320000	S2L-SMT 3.50/30/180LF 3.5SN BK BX
1475930000	S2L-SMT 3.50/22/180LF 1.5SN BK RL	1795330000	S2L-SMT 3.50/32/180LF 3.5SN BK BX
1476370000	S2L-SMT 3.50/20/90LF 3.2AU BK BX	1795340000	S2L-SMT 3.50/34/180LF 3.5SN BK BX
1518140000	S2L-SMT 3.50/30/180LF 3.5AU BK BX	1795350000	S2L-SMT 3.50/36/180LF 3.5SN BK BX
1523750000	S2L-SMT 3.50/14/90LF 3.2AU BK RL	1807560000	S2L-SMT 3.50/06/90LF 3.2SN BK RL
1535410000	S2L-SMT 3.50/20/180LF 1.5SN BK RL	1807570000	S2L-SMT 3.50/08/90LF 3.2SN BK RL
1794860000	S2L-SMT 3.50/06/90LF 3.2SN BK BX	1807580000	S2L-SMT 3.50/10/90LF 3.2SN BK RL
1794870000	S2L-SMT 3.50/08/90LF 3.2SN BK BX	1807590000	S2L-SMT 3.50/12/90LF 3.2SN BK RL
1794880000	S2L-SMT 3.50/10/90LF 3.2SN BK BX	1807600000	S2L-SMT 3.50/14/90LF 3.2SN BK RL
1794890000	S2L-SMT 3.50/12/90LF 3.2SN BK BX	1807610000	S2L-SMT 3.50/16/90LF 3.2SN BK RL
1794900000	S2L-SMT 3.50/14/90LF 3.2SN BK BX	1807620000	S2L-SMT 3.50/18/90LF 3.2SN BK RL
1794910000	S2L-SMT 3.50/16/90LF 3.2SN BK BX	1807630000	S2L-SMT 3.50/20/90LF 3.2SN BK RL
1794920000	S2L-SMT 3.50/18/90LF 3.2SN BK BX	1807870000	S2L-SMT 3.50/06/180LF 3.5SN BK RL
1794930000	S2L-SMT 3.50/20/90LF 3.2SN BK BX	1807890000	S2L-SMT 3.50/10/180LF 3.5SN BK RL
1794940000	S2L-SMT 3.50/22/90LF 3.2SN BK BX	1807910000	S2L-SMT 3.50/14/180LF 3.5SN BK RL
1794950000	S2L-SMT 3.50/24/90LF 3.2SN BK BX	1807930000	S2L-SMT 3.50/18/180LF 3.5SN BK RL
1794960000	S2L-SMT 3.50/26/90LF 3.2SN BK BX	1808130000	S2L-SMT 3.50/06/180LF 3.5AU BK BX
1794970000	S2L-SMT 3.50/28/90LF 3.2SN BK BX	1868280000	S2L-SMT 3.50/24/180LF 3.5SN BK RL
1794980000	S2L-SMT 3.50/30/90LF 3.2SN BK BX	2711380000	S2L-SMT 3.50/38/90LF 3.2SN BK BX
1794990000	S2L-SMT 3.50/32/90LF 3.2SN BK BX	2711390000	S2L-SMT 3.50/38/180LF 3.5SN BK BX
1795000000	S2L-SMT 3.50/34/90LF 3.2SN BK BX	2711730000	S2L-SMT 3.50/40/180LF 3.5SN BK BX
1795010000	S2L-SMT 3.50/36/90LF 3.2SN BK BX	2711740000	S2L-SMT 3.50/42/180LF 3.5SN BK BX
1795200000	S2L-SMT 3.50/06/180LF 3.5SN BK BX	2711750000	S2L-SMT 3.50/44/180LF 3.5SN BK BX
1795210000	S2L-SMT 3.50/08/180LF 3.5SN BK BX	2711760000	S2L-SMT 3.50/46/180LF 3.5SN BK BX
1795220000	S2L-SMT 3.50/10/180LF 3.5SN BK BX	2711770000	S2L-SMT 3.50/48/180LF 3.5SN BK BX
1795230000	S2L-SMT 3.50/12/180LF 3.5SN BK BX	2711780000	S2L-SMT 3.50/40/90LF 3.2SN BK BX
1795240000	S2L-SMT 3.50/14/180LF 3.5SN BK BX	2711790000	S2L-SMT 3.50/42/90LF 3.2SN BK BX
1795250000	S2L-SMT 3.50/16/180LF 3.5SN BK BX	2711800000	S2L-SMT 3.50/44/90LF 3.2SN BK BX
1795260000	S2L-SMT 3.50/18/180LF 3.5SN BK BX	2711810000	S2L-SMT 3.50/46/90LF 3.2SN BK BX
1795270000	S2L-SMT 3.50/20/180LF 3.5SN BK BX	2711820000	S2L-SMT 3.50/48/90LF 3.2SN BK BX
1795280000	S2L-SMT 3.50/22/180LF 3.5SN BK BX	2793150000	S2L-SMT 3.50/36/90LF 2.3SN BK BX

今後とも弊社製品をご愛用いただけますようお願い致します。
 ご不明点がございましたら下記までお問い合わせください。

【本件に関するお問い合わせ先】

日本ワイドミュラー株式会社 事業推進部
 〒140-0002 東京都品川区東品川 2-2-8 スフィアタワー天王洲
 TEL: 03-6711-5302 FAX : 03-6711-5333
 E-mail: infojapan@weidmuller.com
<http://www.weidmuller.co.jp>