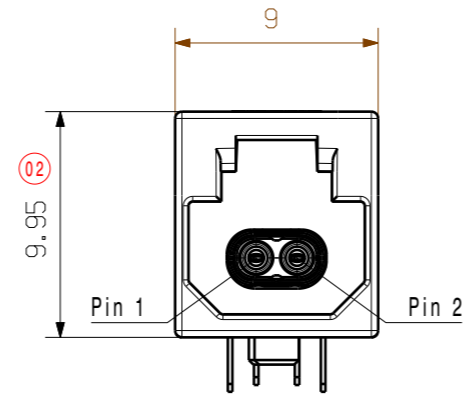
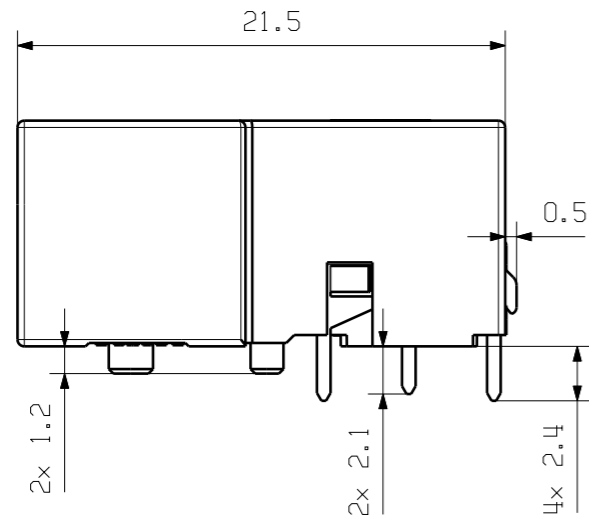
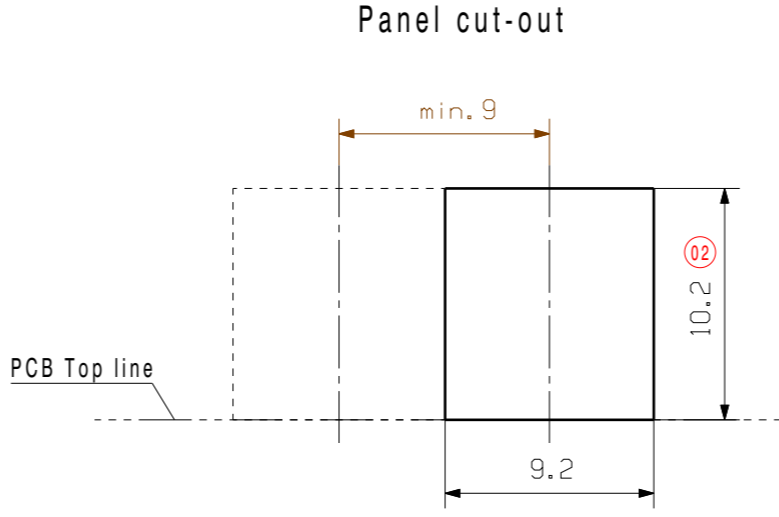
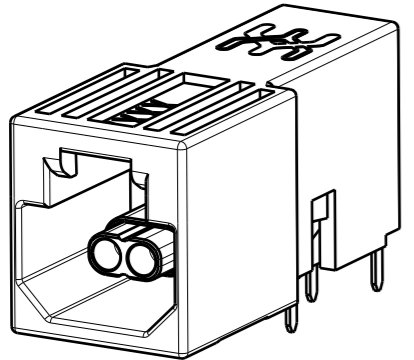
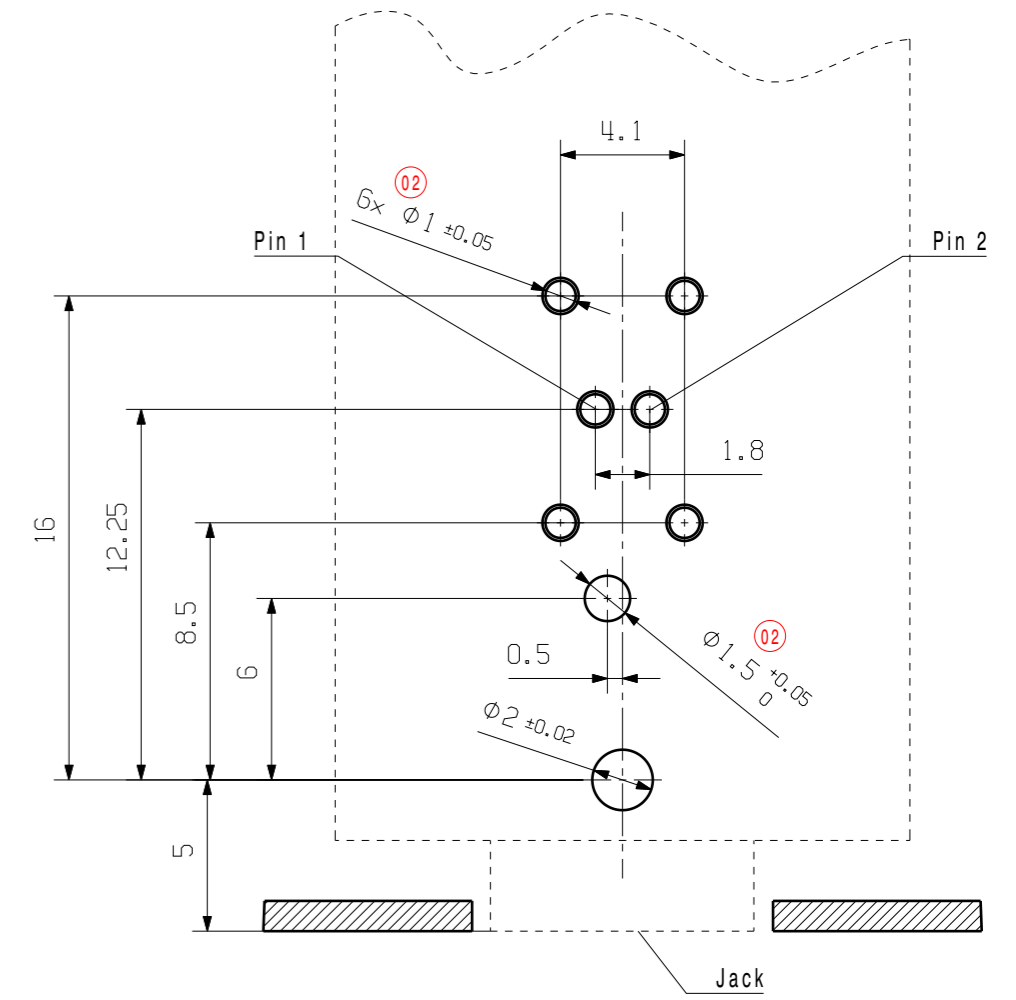


The reproduction, distribution and utilization of this document as well as the communication of its contents to others without explicit authorization is prohibited. Offenders will be held liable for the payment of damages. Weidmüller exclusively reserves the right to file for patents, utility models or designs.

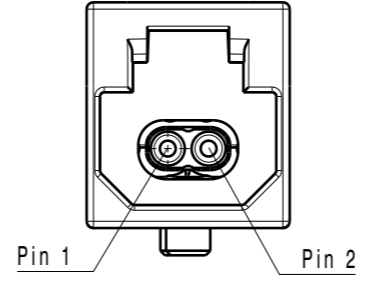
© Weidmüller Interface GmbH & Co. KG



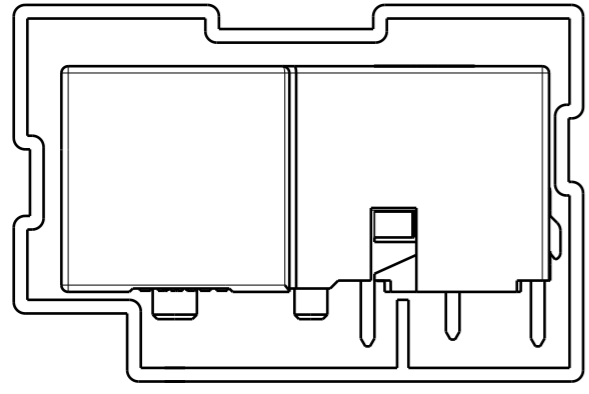
M 4:1
Installation position and hole pattern PCB



Pin assignment



Delivery condition: 61 connectors in tube



General customer drawing, latest version only on request

Technical data for round SPE-connector according to IEC 63171 & IEC 63171-7 always in valid/current version

Drawings Customer			82997	2
Approved 24.04.2026			Drawing no.	Index
Mat. No. (SAP) 3150600000		Scale: 3:1		Sheet 1 / 1
		SPE P20 R1H 2.1 6 N/N TU SPE IP20 CONNECTOR THR W/O LED TUBE		