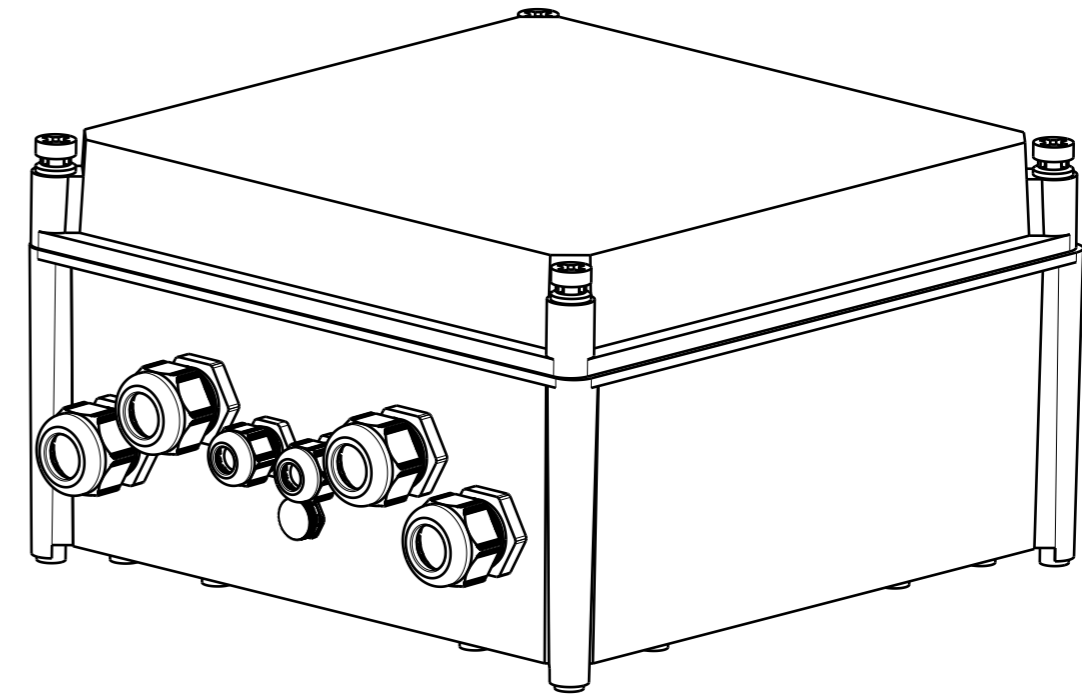
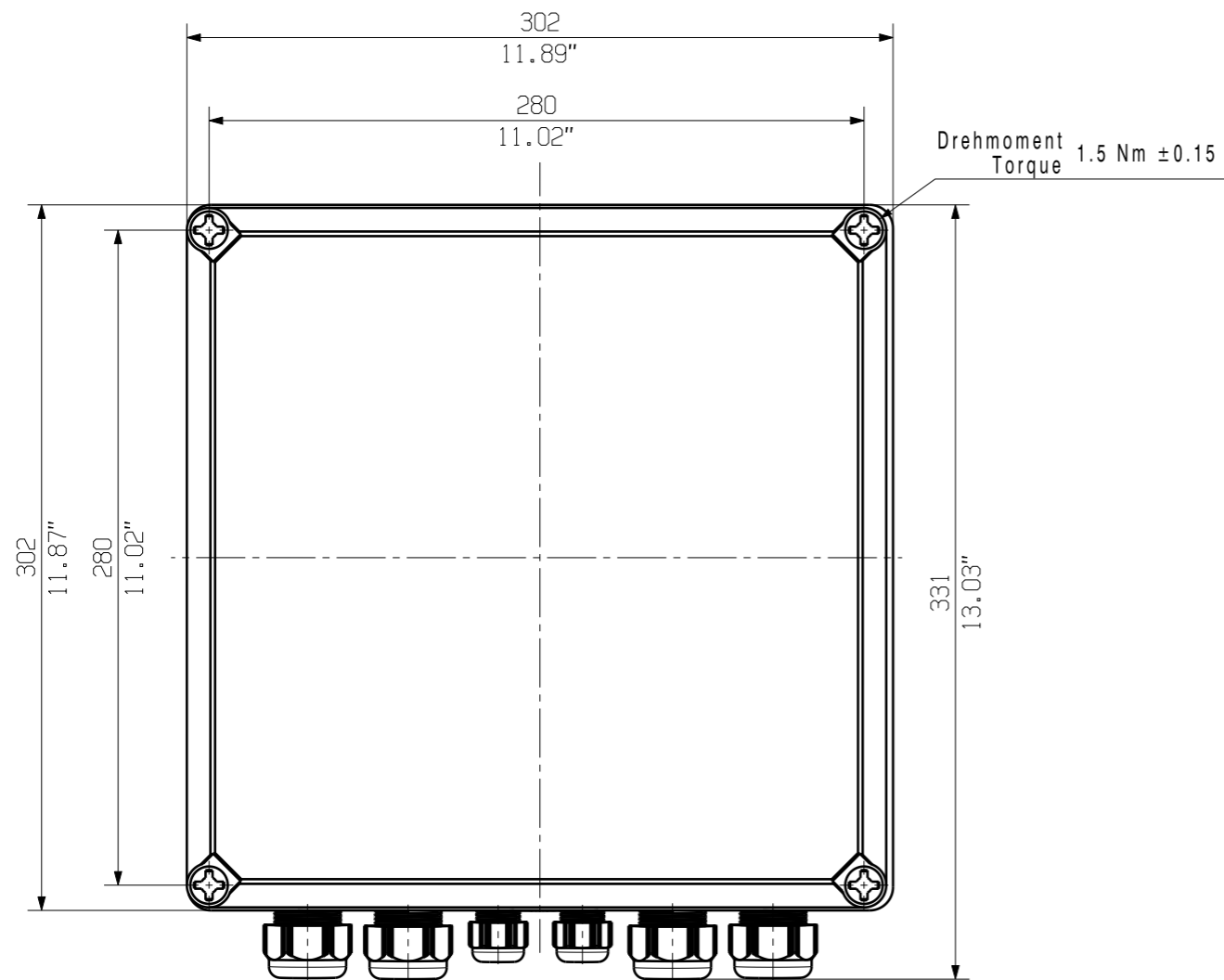
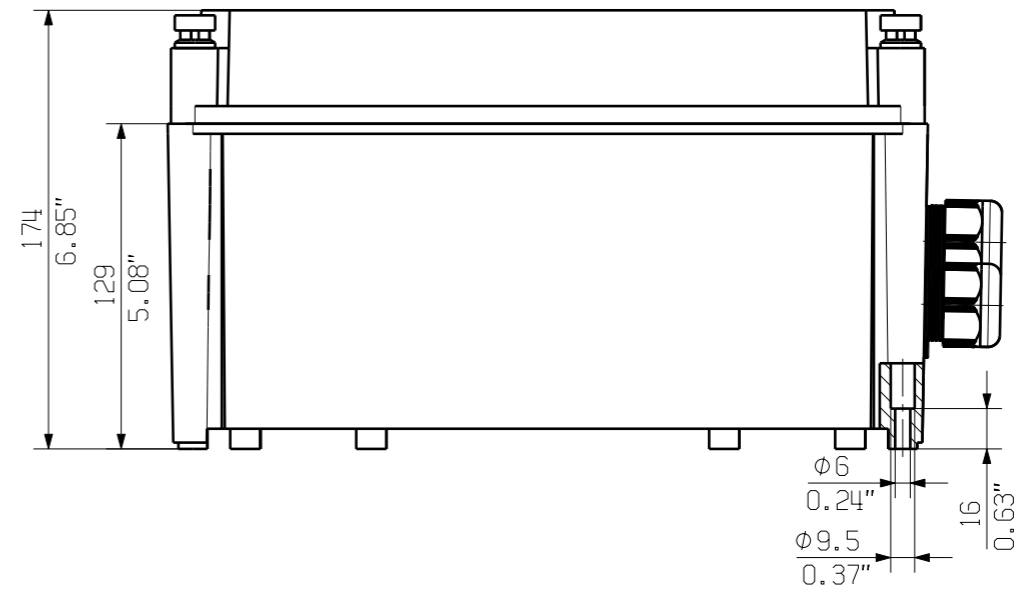
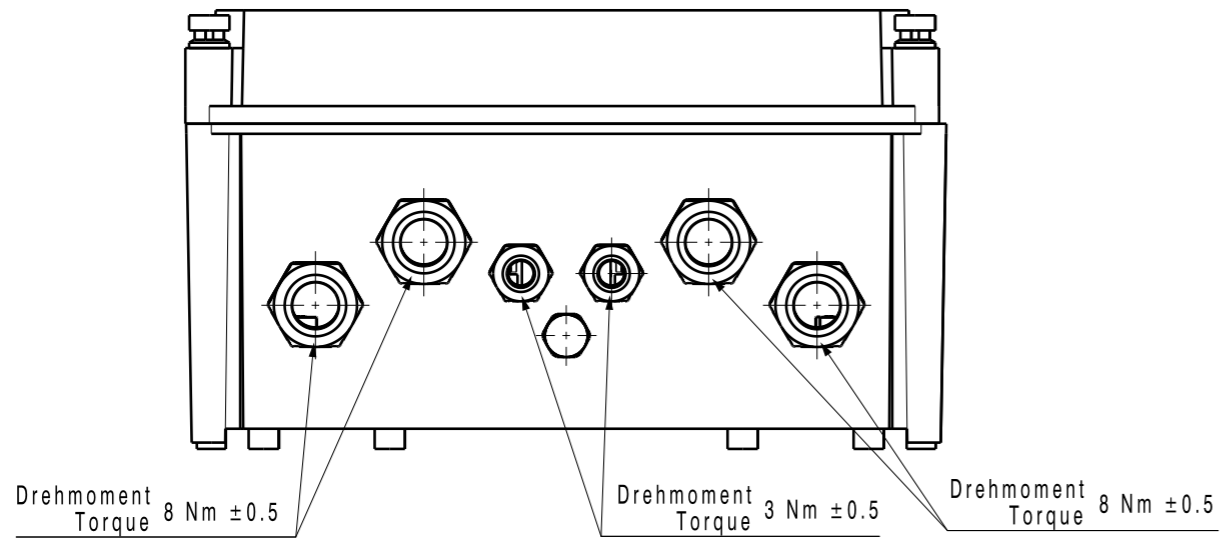
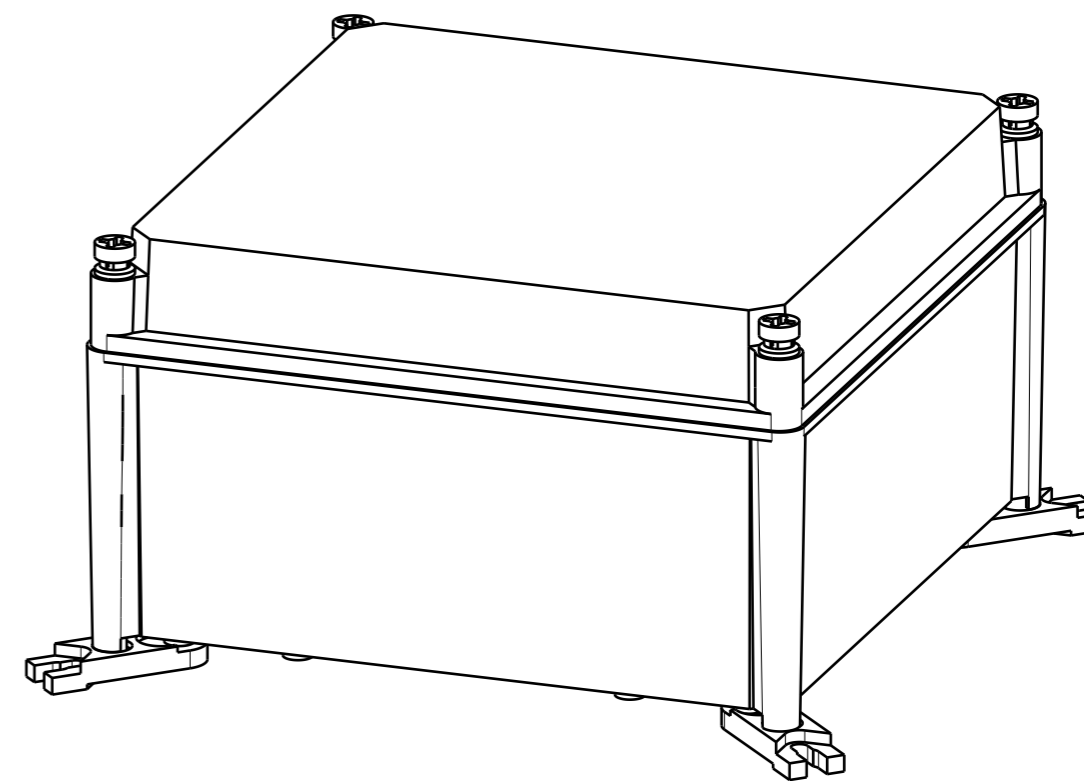
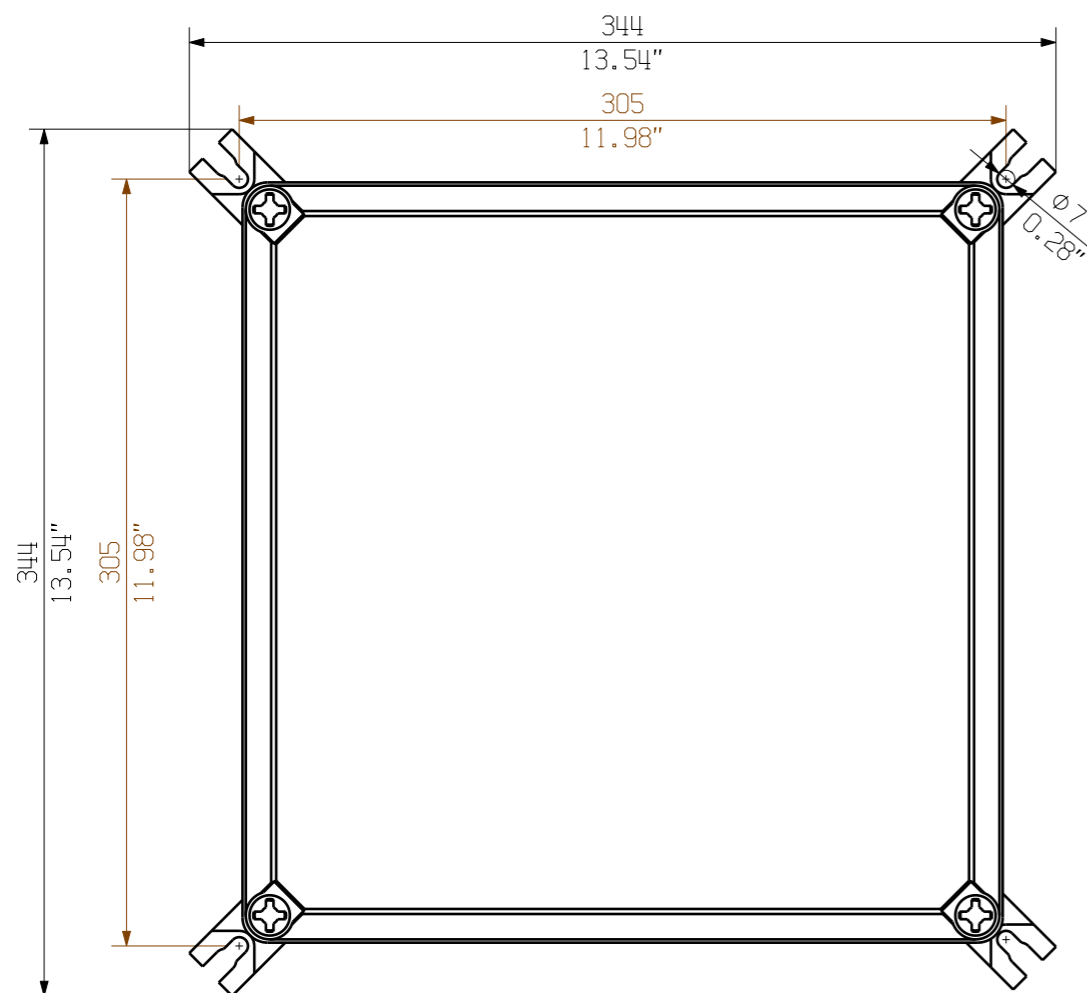
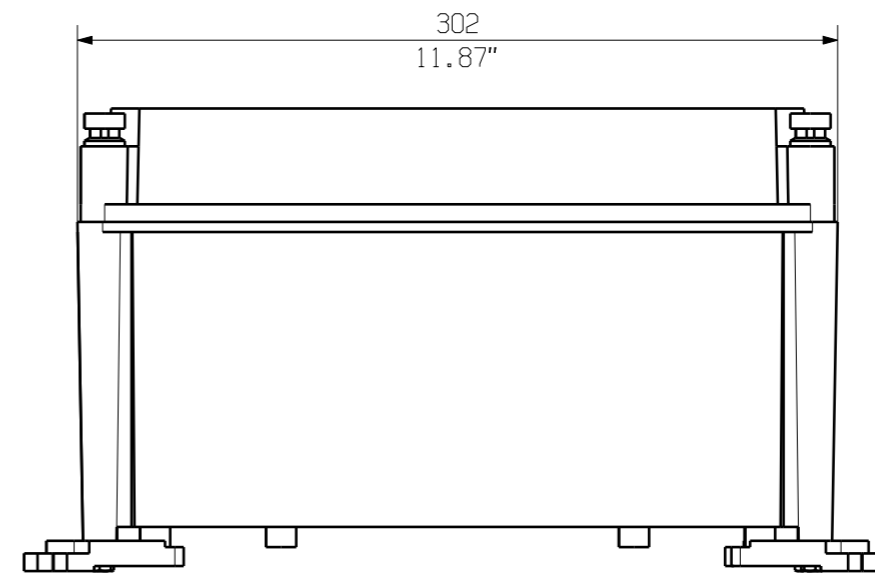
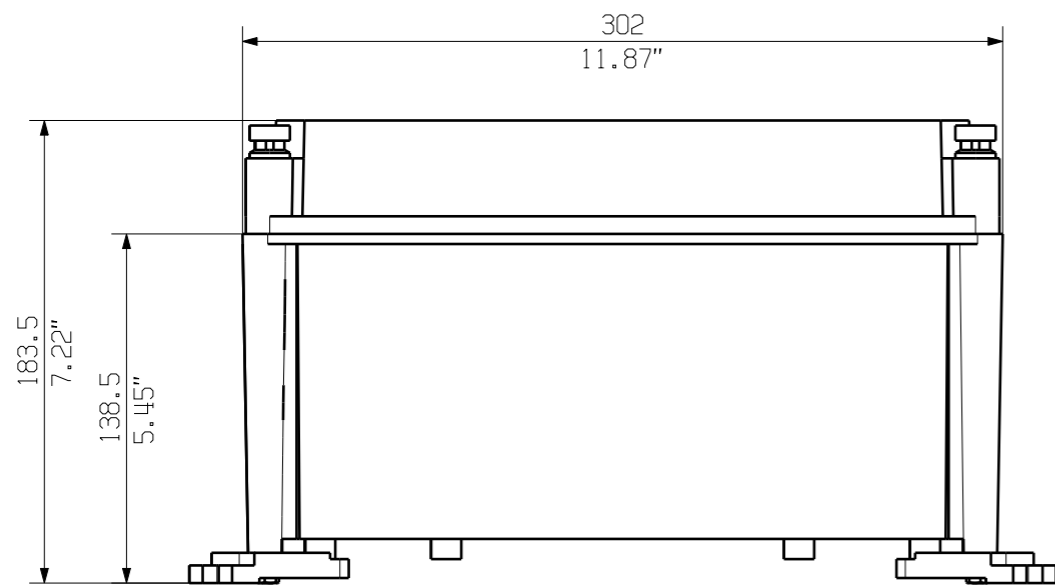


The reproduction, distribution and utilization of this document as well as the communication of its contents to others without explicit authorization is prohibited. Offenders will be held liable for the payment of damages. Weidmüller exclusively reserves the right to file for patents, utility models or designs.

© Weidmüller Interface GmbH & Co. KG




First Issue Date 03.02.2020		Max. nos. Modification		Prim PLM Part No.: 704052		Prim ERP Part No.:	
Scale: 1/3		Size: A3				71750	
Drawings Customer		Product file:				Drawing no. 71750 Sheet 01 of 01 sheets Issue no. 0	
Date		Name		PVN1M113SXF3V ... COMBINERBOX RESIDENTIAL/COMMERCIAL COMBINERBOX RESIDENTIAL/COMMERCIAL			
Drawn		Date		Date		Name	
Responsible		Date		Date		Name	
Approved		Date		Date		Name	



Darstellung mit Zubehoer  
Shown with accessory 0360800000 MF TBF

Nicht im Lieferumfang enthalten!  
Not included in delivery!

First Issue Date 29.01.2020		Max. nos.		Prim PLM Part No.: 1174506		Prim ERP Part No.:	
Modification		Date				71730	
Date		Name				Drawing no.	
Drawn		29.01.2020		Brüntrup, Anna		Sheet 01 of 01 sheets	
Responsible				Wohlgemuth, Kl			
Approved		31.01.2020		Püschner, Klau			
Scale: 1/3 Size: A3				PVN TBF 303018 COMBINERBOX RESIDENTIAL/COMMERCIAL COMBINERBOX RESIDENTIAL/COMMERCIAL			
Drawings Customer				Product file:			

The reproduction, distribution and utilization of this document as well as the communication of its contents to others without explicit authorization is prohibited. Offenders will be held liable for the payment of damages. Weidmüller exclusively reserves the right to file for patents, utility models or designs.

© Weidmüller Interface GmbH & Co. KG