

## Technical change to 1812870000 + 1812890000

Dear Madam or Sir,

the products of 1812870000 (SAISWI-P-4A-4/5.1-M12) + 1812890000 (SAIBWI-P-4A-4/5.1-M12) will be changed after a transitional period.

Please pass on this Product Change Notification (PCN) to your employees and, if applicable, to your customers.

### 1. General overview

**Type of change:**  **short-term** (executed within the next 6 months)  
 **normal** (executed after 6 months)

#### Short-term action due to:

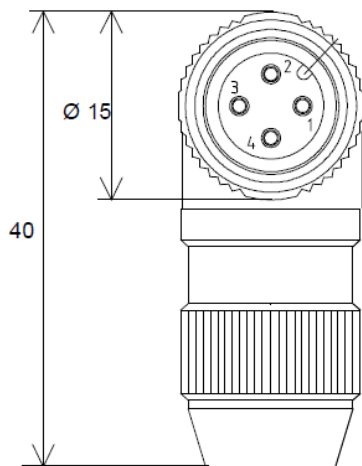
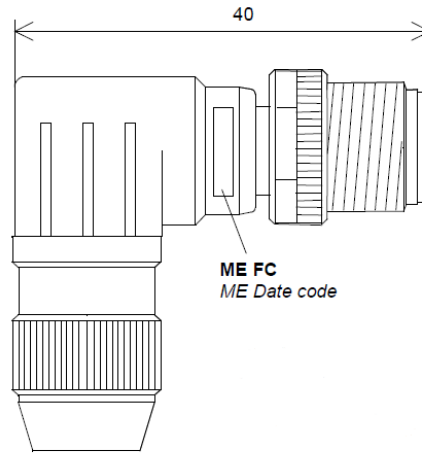
- |   |  |
|---|--|
| <input type="checkbox"/> Software or firmware bugfix    | <input type="checkbox"/> Delivery stop by supplier |
| <input type="checkbox"/> Short-term recall by supplier  | <input type="checkbox"/> Force majeure             |
| <input checked="" type="checkbox"/> Product improvement | <input type="checkbox"/> other                     |

#### Short-term action due to:

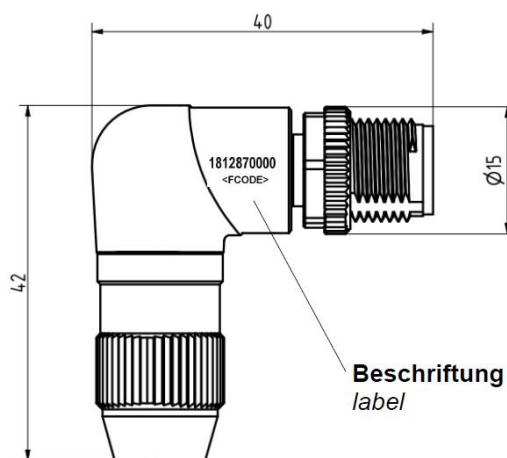
- Redesign: Optimization of product haptics and enlargement of the available labeling area
- UL certification
- Extension of product labeling by adding CE and UL certifications as well as the article number

## 2. Change details

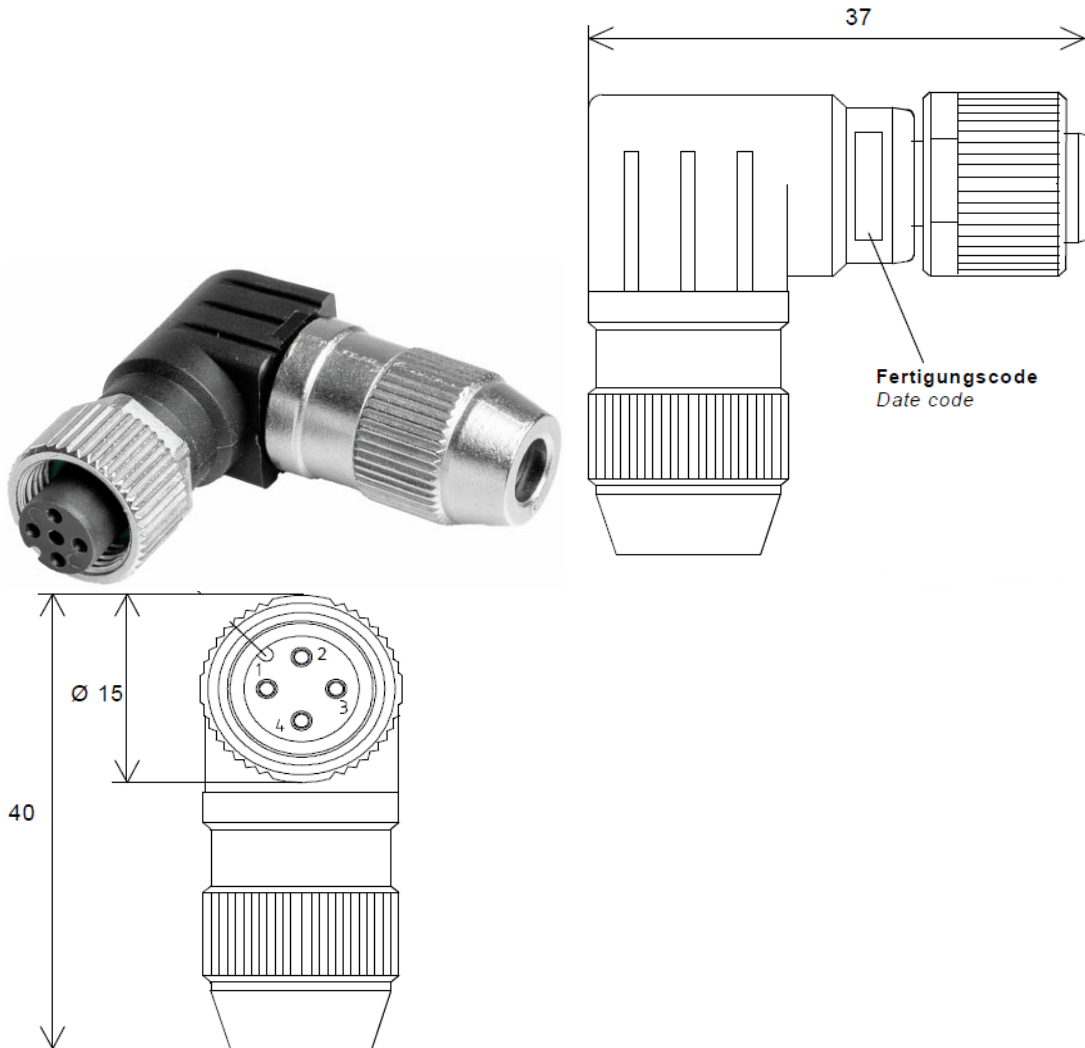
1812870000 Old:



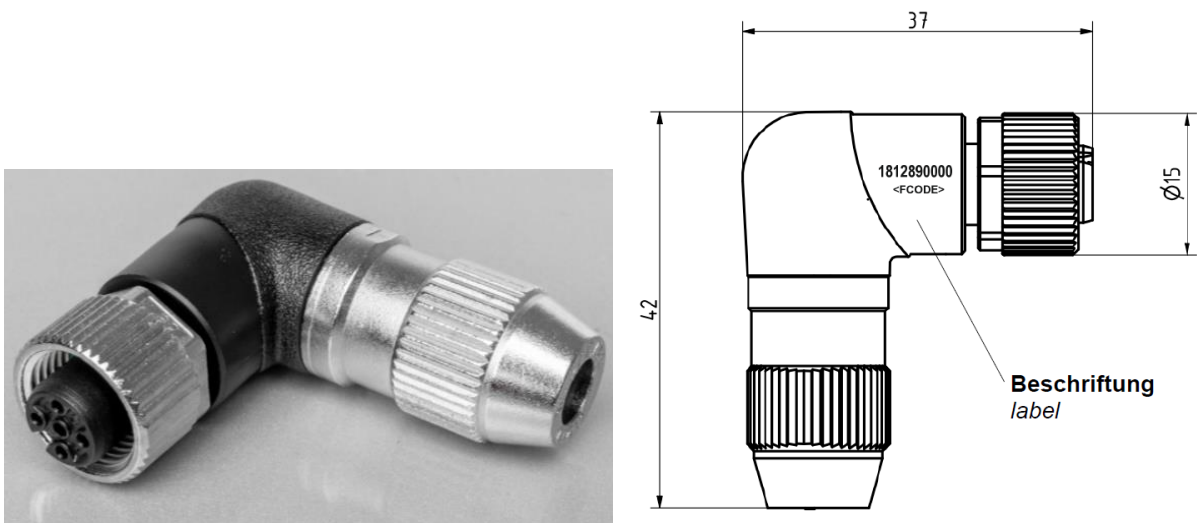
1812870000 New:



## 1812890000 Old:



## 1812890000 New:



### 3. Affected parts

Material number	Short description
1812870000	SAISWI-P-4A-4/5.1-M12
1812890000	SAIBWI-P-4A-4/5.1-M12

### 4. Timeline

The conversion of the products will take place in production over the next 6 months. Due to existing inventory, mixed stock deliveries may occur.

We hope that the changes will benefit your business and will not affect you in any significant way. We apologise in case of any inconvenience caused. Please rest assured that we will do everything possible to achieve this product change as smoothly as possible with minimum or no business disruption.

For further questions please contact your sales office directly. All contacts for sales representatives are available here: <https://www.weidmueller.com/contact>

Details of this and any other product changes can also be found in our Support Center by following the link: <https://support.weidmueller.com/support-center/popular-resources/product-change-notifications>

Best regards

Product Management

**Weidmüller Interface GmbH & Co. KG**  
Klingenbergstraße 26 | 32758 Detmold | Germany  
[www.weidmueller.com](http://www.weidmueller.com)

[in](#) [📺](#) [@](#) [f](#) [🐦](#)